

clairage ON LIGHT



ON LIGHT

12 Years  
emotions ON LIGHT



TECHNICAL SPECIFICATION



## TABLE OF CONTENTS

### TRACK LIGHTS

MICRO	5" 30-60W LED Track Light series .....	3 – 4
NANO T	4" 30-55W LED Track Light series .....	5 – 6
IQONA SERIES	2"-3"-4" 11-35W LED Track Light series .....	7 – 12
BIT BMT	3" 11-28W LED Track Light series .....	13 – 14
RADDO	4" 9-30W LED Track Light series .....	15 – 16
SUN CATHCER	11" – 22" 30-100W LED Linear Track Light series.....	17
NAVO NMT	.....	19 – 20

### CYLINDERS, PENDANT

CARDA	6" 30-100W LED CYLINDER .....	21 – 22
RADDO	4" 10-30W LED CYLINDER .....	23 – 24
MONA	16" & 24" 10-30W LED CUSTOM PENDANT .....	25 – 26

### DOWLINGHTS

CARDA, CARDA SYSTEM	7" 15-80W LED adjustable downlight series .....	27 – 30
NANO, R, E, CMR	6" 15-55W LED adjustable downlight series .....	31 – 34
MAXX SERIE, PUNTA SERIE	4"-5"-6" 10-25W LED adjustable downlight series.....	35 – 48
ATTO 95, ATTO 70	3"-4" 10-25W LED adjustable downlight series .....	49 – 52

### LED LINEAR SERIES

LINE UP, KB, KM, KP SERIES	LED Linear Profile with integrated driver .....	53 – 56
KOOLED U SERIES	LED Linear Profile .....	57 – 60
KOOLED ROUND SERIES	LED Linear round Profile .....	61 – 64

### DECO CYLINDERS

BRUMBERG SERIES	LED surface mounted square, round cylinders .....	65 – 70
-----------------	---	---------

### INDUSTRIAL SERIE

APOLLO	LED adjustable linear Luminaire .....	71 – 72
TUBIS	LED Tubular Luminaire IP68, wet location .....	73
HIGH BAY SERIES	LED High Bay series .....	75 – 78
KATLA, LUNA	LED industrial linear, IP65 .....	79 – 82

### MUSIC SPEAKER SYSTEM

OMNI SPEAKER	SPEAKER track mount, suspended, recessed .....	83 – 85
STREAMER	STREAMER music streamer .....	86
SUBWOOFER	SUB low frequency speaker .....	87





- COOLELED** Real-time temperature monitoring and control
- BACK2LIFE** Innovative light fixture refurbish and recycle program
- EZ SWAP** Tool-less interchangeable reflector assembly system
- SHIP2FAST** Fast delivery program

**MICRO** 5" LED TRACK LIGHTING FIXTURE



MICRO	DELIVERED LUMENS	LED COLOR	CRI	BEAM SPREAD	VOLTAGE	HOUSING COLOR	DIMMING OPTION	MOUNTING	TRACK CIRCUIT
MICRO	20 2000 LM (14W) 196LM/W 25 2500 LM (16W) 194LM/W 30 3000 LM (20W) 192LM/W 35 3500 LM (22W) 190LM/W 40 4000 LM (25W) 188LM/W 50 5100 LM (34W) 173LM/W 60 6100 LM (40W) 188LM/W 73 7300 LM (50W) 186LM/W 85 8500 LM (60W) 184LM/W 97 9700 LM (70W) 182LM/W  Nominal value at 3500K & 84 CRI	27 2700 K 30 3000 K 35 3500 K 40 4000 K TW 2700K to 5000K TW1 4000K to 1800K 65W max TW2 6500K to 2700K 65W max B Bread color M Meat color F Fish color	84 nominal CRI at 3500K 90 90 CRI min. value 95 95 CRI (for TW1 & TW2 only) 97 (2700k 3000K 5600K) A A Class*  * A Class only available with (3000K, 3500K, 4000K)	SP 15° ▲ NFL 24° ▲ FL 36° ▲ WFL 60° ▲	1 120V 2 277V	WH RAL 9016 white BK RAL 9005 black SL RAL 9006 silver  + Custom color	ADIM 0-10V Dim. ADIM+ 0-10V Dim.0.1% DALI Dali — None  Only available with Stucchi, Global nordic aluminium adapter or canopy mount.	GLO GLOBAL® STI STUCCHI® LOL LIGHTOLIER® JUN JUNO® HAL HALO® CM Canopy mount	1 1 CCT 2 2 CCT * 3 3 CCT *  * ONLY AVAILABLE WITH GLOBALTRAC OR STUCCHI TRACK®

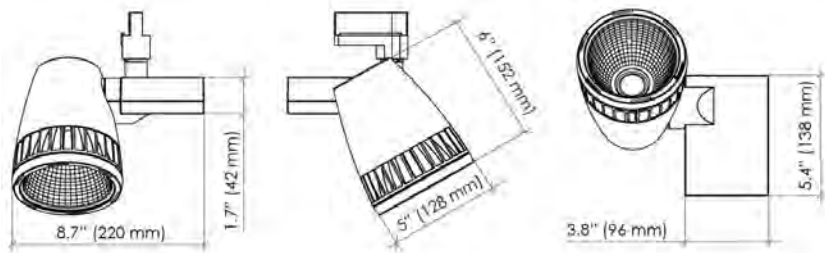
**ACCESSORIES : Order as separate part number.**

Stucchi ONE TRACK	4',8',12' 3 circuits track with intergrated DALI/0-10V control Recessed/suface mount/high track , black, grey, white finish + accessories
Global track	4',8',12' 3 circuits track, surface mount only, white & black finish, no dim.

**DELIVERED LUMEN** Nominal value at 3500K & 84 CRI

CCT OPTION	2700K	2700K	2700K	3000K	3000K	3000K	3500K	3500K	3500K	4000K	4000K	4000K	Bread	Meat	Fish
CRI OPTION	80	90	97	80/A	90	97	84	90	A/80	84	90	A/80	80	80	80
MULTIPLIER	.93	.77	.67	.96	.80	.71	1	.83	.78	1.0	0.86	.83	.86	.53	1

DIMENSIONS



WEIGHT : 3.7 lb (1.7 kg)

ON LIGHT CHEAT SHEET :

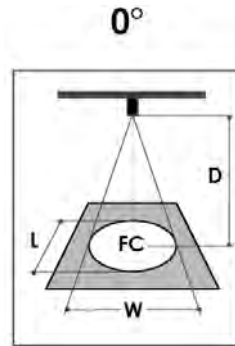
- Nominal Efficacy : up to 122.9 lm/W
- Reported Life : 50'000 hrs. in accordance with IESNA TM-21-11.
- 3-Step MacAdam ellipse color consistency for clean and uniform lighting.
- Photometry conducted by independent NVLAP (National Voluntary Laboratory Accreditation Program) accredited testing laboratory in accordance with IESNA LM-79-08.
- Lumen maintenance for luminaire LED's tested by LED chip manufacturer in accordance with IESNA LM80-08.
- 5-year warranty on LED light engine, driver and all lighting fixture components.
- Die-Cast aluminum construction. Track head can be rotated up to 350° and pivoted up to 90°.
- Max settable driver ouput actif cooling : 250W (4100lm-6100lm) / 360W (6100lm-7300lm) / 4100W (5100lm-10900lm).
- Max settable driver ouput static cooling 30W (1000lm-3800lm) /
- Tool-less interchangeable reflector and accessories assembly system



**MICRO** 5" LED TRACK LIGHTING FIXTURE

**CONE OF LIGHT DIAGRAM**

(diameter shown is where fc is half the fc at nadir)



Product Family	Beam Spread	CBCP cd	D ft	FC	L ft	W ft	Product Family	Beam Spread	CBCP cd	D ft	FC	L ft	W ft
Power 7300 lumen 3500K 84 CRI	15° (Spot)	26792	10	267.9	4.0	4.0	Power 7300 lumen 3500K 84 CRI	36° (Flood)	17615	10	176.2	5.6	5.6
			12	186.1	4.8	4.8				12	122.3	6.7	6.7
			14	136.7	5.6	5.6				14	89.9	7.9	7.9
			16	104.7	6.4	6.4				16	68.8	9.0	9.0
			18	82.7	7.2	7.2				18	54.4	10.1	10.1
20	67.0	8.0	8.0	20	44.0	11.2	11.2						
Power 7300 lumen 3500K 84 CRI	24° (Narrow Flood)	19334	10	193.3	5.2	5.2	Power 7300 lumen 3500K 84 CRI	60° (Wide Flood)	9008	10	90.1	8.1	8.1
			12	134.3	6.3	6.3				12	62.6	9.8	9.8
			14	98.6	7.3	7.3				14	46.0	11.4	11.4
			16	75.5	8.4	8.4				16	35.2	13.0	13.0
			18	59.7	9.4	9.4				18	27.8	14.6	14.6
20	48.3	10.4	10.4	20	22.5	16.3	16.3						

**TECHNICAL PRODUCT SPECIFICATIONS**

<p><b>TRIM HOUSING :</b> Die-cast aluminum housing construction. Track head can be rotated up to 350° and pivoted up to 90°. EZ Swap Tool-less interchangeable reflector assembly system between all track and downlight products.</p> <p><b>OPTICAL SYSTEM :</b> Tool-less, user-friendly MIRO ® pure aluminum optical reflector assembly available in four beam spreads: 15 °, 24 °, 36 ° &amp; 60 °. Faceted/dimpled reflector ensures clean and uniform beam of light.</p> <p><b>LED LIGHT ENGINE :</b> BRIDGELUX VERO SERIES 2 or 3 SDCM / 2 or 3 Step MacAdam ellipse multi-chip LED cluster Light Engine yields perfect color consistency with clean and uniform beam of light.</p> <p><b>LED DRIVER :</b> Proprietary LED driver with closed-loop LED Light Engine temperature monitoring &amp; control system for long-life (Prevents LED Light Engine damage caused by overheating). Power factor: &gt; 97 % at 120 V. Driver output is Class 2 rated.</p> <p><b>A CLASS COLOR :</b> Class A is based on human response testing, providing color points with a combined GAI and CRI metric.</p> <p><b>FOOD COLOR :</b> Ensures accurate food color rendition of meat, bread or fish in food retailers.</p> <p><b>BRIDGELUX CCT :</b> 1750K, 2000K, 2500K, 2700K, 3000K, 3500K, 4000K, 5000K, 5600K, 5700K, 6500K.</p> <p><b>R9 VALUE</b> Mini. R9 value for 80 CRI CRI is 0. the min. R9 values for 90 LED is 50. the min. R9 value for 97 CRI LED is 93. For Décor series LED, Typical R9 value is 98 to enhance RED's and an R15 value of 97</p> <p><b>TUNABLE WHITE :</b> Tunable white: 6500K to 2700K CCT range or 4000K to 1800K CCT. CRI 95 white both channels powered on. Max 45W per channel. Or Bridgelux VESTA LED 2700K to 5000K CCT range 90CRI.</p> <p><small>Last update 2022-11-29</small></p>	<p><b>COOLING SYSTEM :</b> COOLED Temperature sensor/Integrated Circuit controlled brushless MagLev® fan which features zero friction without contact between shaft and bearing. Rated acoustic noise: 17 dBA (nearly inaudible). <b>Rated life: 60'000 hrs</b></p> <p><b>DIMMING</b> Dimming down to 25% or 0.1% (for 0.1% dim. Max. input is 70W).</p> <p><b>CERTIFICATION :</b> CSA certified to US and Canadian safety standards. Photometrically tested by NVLAP accredited testing laboratory in accordance with IESNA LM-79-08. LED Light Engine tested by LED chip manufacturer in accordance with IESNA LM-80-08. Lighting Facts qualified.</p> <p><b>FINISH :</b> Roughed textured powder-coated paint finish. Available in RAL 9016 white, RAL 9005 black and RAL 9006 silver. Track adapter/ canopy will match luminaire color.</p> <p><b>WEIGHT :</b> Trim : 3.7 lb (1.7 kg)</p> <p><b>CANOPY MOUNT</b> Round canopy, to be mounted on 4" junction box. Canopy will match luminaire color.</p> <p><b>ENVIRONMENT :</b> Rated for dry locations only. Applications in damp or wet locations will void warranty.</p> <p><b>REPORTED LIFE :</b> 50'000 hrs at L77 in accordance with IESNA TM-21-11 (Projecting Long Term Lumen Maintenance of LED Light Sources).</p> <p><b>WARRANTY :</b> 5-year comprehensive system warranty (LED Light Engine, LED Driver and luminaire parts).</p> <p><b>BACK TO LIFE :</b> Luminaire can be refurbished with the newest generation of LED and driver.</p> <p><b>INPUT WATTAGE :</b> Max settable driver output : 50W(3000lm-6100lm) / 60W(6100lm-7300lm) / 100W(5100lm-9700lm).</p> <p><b>MADE IN CANADA :</b> Luminaires are assembled in Canada, Beloeil.</p> <p><b>GAI</b> GAI value 80 @ CRI93</p>
---	---

Due to continuous improvements, the information herein may be changed without notice



- COOLE<sup>D</sup> Real-time temperature monitoring and control
- BACK2LIF<sup>E</sup> Innovative light fixture refurbish and recycle program
- EZ SWAP Tool-less interchangeable reflector assembly system
- SHIP2FAST Fast delivery program



NANO T 4" LED TRACK LIGHTING FIXTURE

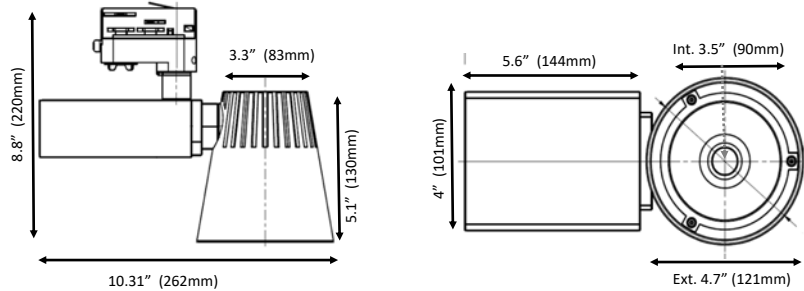


PRODUCT	DELIVERED LUMENS	LED COLOR	CRI	BEAM SPREAD	VOLTAGE	HOUSING COLOR	DIMMING OPTION	MOUNTING	TRACK CIRCUIT
NANO T	30 3100 LM (25W) <sup>1</sup> 40 4100 LM (30W) <sup>1</sup> 50 5100 LM (40W) <sup>1</sup> 57 5700 LM (50W) <sup>1</sup>  Nominal value at 3500K & 84 CRI.	27 2700 K 30 3000 K 35 3500 K 40 4000 K  B Bread color M Meat color F Fish color + Every Brigidlux CCT from 1750K to 6500K	84 nominal CRI at 3500K 90 90 CRI min. value 97 (2700K 3000K 5600K) A A Class*  * A Class only available with (3000K, 3500K, 4000K)	SP 18° ▲ NFL 25° ▲ FL 35° ▲ WFL 45° ▲	1 120V 2 277V	WH RAL 9016 white BK RAL 9005 black SL RAL 9006 silver  + Custom color	ADIM 0-10V Dim. DALI Dali — None  Only available with Stucchi, Global nordic aluminium or canopy mounting	GLO GLOBAL® STI STUCCHI® LOL LIGHTOLIER® JUN JUNO® HAL HALO® CM Canopy mount	1 1 CCT 2 2 CCT * 3 3 CCT *  * ONLY AVAILABLE WITH GLOBAL-TRAC OR STUCCHI TRACK®

ACCESSORIES : Order as separate part number.	
Stucchi ONE TRACK	4',8',12' 3 circuits track with intergrated DALI/0-10V control Recessed/suface mount/high track , black, grey, white finish + accessories
Global track	4',8',12' 3 circuits track, surface mount only, white & black finish. No dim.

DELIVERED LUMEN Nominal value at 3500K & 84 CRI															
CCT OPTION	2700K	2700K	2700K	3000K	3000K	3000K	3500K	3500K	3500K	4000K	4000K	4000K	Bread	Meat	Fish
CRI OPTION	80	90	97	80/A	90	97	84	90	A/80	84	90	A/80	80	80	80
MULTIPLIER	.93	.77	.67	.96	.80	.71	1	.83	.78	1.0	0.86	.83	.86	.53	1

DIMENSIONS



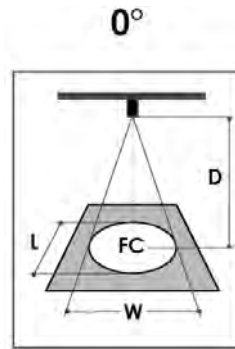
WEIGHT : 3.5 lb (1.6 kg)

ON LIGHT CHEAT SHEET :

- Nominal Efficacy : up to 154 lm/W
- Reported Life : 50'000 hrs. in accordance with IESNA TM-21-11.
- 3-Step MacAdam ellipse color consistency for clean and uniform lighting.
- Photometry conducted by independant NVLAP (National Voluntary Laboratory Accreditation Program) accredited testing laboratory in accordance with IESNA LM-79-08.
- Lumen maintenance for luminaire LED's tested by LED chip manufacturer in accordance with IESNA LM80-08.
- 5-year warranty on LED light engine, driver and all lighting fixture components.
- Die-Cast aluminum construction. Track head can be rotated up to 350° and pivoted up to 90°.
- Max settable driver output : 150W (3100lm-5700lm)
- Tool-less interchangeable reflector and accessories assembly system.
- Luxitune for halogen style dimming and CCT tuning.



**NANO T** 4" LED TRACK LIGHTING FIXTURE



**CONE OF LIGHT DIAGRAM**

(diameter shown is where fc is half the fc at nadir)

Product Family	Beam Spread	CBCP cd	D ft	FC ft	L ft	W ft	Product Family	Beam Spread	CBCP cd	D ft	FC ft	L ft	W ft
Nano 5000 lumen 3500K 84 CRI	18° (Spot)	32505	10	325.1	3.0	3.0	Nano 5000 lumen 3500K 84 CRI	35° (Flood)	13816	10	138.2	5.2	5.2
			12	225.7	3.6	3.6				12	95.9	6.3	6.3
			14	165.8	4.2	4.2				14	70.5	7.3	7.3
			16	127.0	4.8	4.8				16	54.0	8.4	8.4
			18	100.3	5.4	5.4				18	42.6	9.4	9.4
20	81.3	6.0	6.0	20	34.5	10.4	10.4						
Nano 5000 lumen 3500K 84 CRI	25° (Narrow Flood)	21618	10	216.2	4.1	4.1	Nano 5000 lumen 3500K 84 CRI	45° (Wide Flood)	8979	10	89.8	7.3	7.3
			12	150.1	4.9	4.9				12	62.4	8.8	8.8
			14	110.3	5.7	5.7				14	45.8	10.3	10.3
			16	84.4	6.5	6.5				16	35.1	11.7	11.7
			18	66.7	7.3	7.3				18	27.7	13.2	13.2
20	54.0	8.1	8.1	20	22.4	14.6	14.6						

**TECHNICAL PRODUCT SPECIFICATIONS**

**TRIM HOUSING :** Die-cast aluminum housing construction. Track head can be rotated up to 350° and pivoted up to 90°. EZ Swap Tool-less interchangeable reflector assembly system between all track and downlight products.

**OPTICAL SYSTEM :** Tool-less, user-friendly MIRO® pure aluminum optical reflector assembly available in four beam spreads: 18°, 25°, 35° & 45°. Faceted/dimpled reflector ensures clean and uniform beam of light.

**LED LIGHT ENGINE :** BRIDGELUX VERO SERIES 2 or 3 SDCM / 2 or 3 Step MacAdam ellipse multi-chip LED cluster Light Engine yields perfect color consistency with clean and uniform beam of light.

**LED DRIVER :** Proprietary LED driver with closed-loop LED Light Engine temperature monitoring & control system for long-life (Prevents LED Light Engine damage caused by overheating). Power factor: > 97% at 120 V. Driver output is Class 2 rated.

**A CLASS COLOR :** Class A is based on human response testing, providing color points with a combined GAI and CRI metric.

**FOOD COLOR :** Ensures accurate food color rendition of meat, bread or fish in food retailers.

**BRIDGELUX CCT :** 1750K, 2000K, 2500K, 2700K, 3000K, 3500K, 4000K, 5000K, 5600K, 5700K, 6500K.

**CRI 97** Mini. R9 value for 80 CRI CRI is 0. the min. R9 values for 90 LED is 50. the min. R9 value for 97 CRI LED is 93. For Décor series LED, Typical R9 value is 98 to enhance RED's and an R15 value of 97

**COOLING SYSTEM :** COOLED Temperature sensor/Integrated Circuit controlled brushless MagLev® fan which features zero friction without contact between shaft and bearing. Rated acoustic noise: 17 dBA (nearly inaudible). **Rated life: 60'000 hrs**

**DIMMING :** Dimming option down to 25%.

**CERTIFICATION :** CSA certified to US and Canadian safety standards. Photometrically tested by NVLAP accredited testing laboratory in accordance with IESNA LM-79-08. LED Light Engine tested by LED chip manufacturer in accordance with IESNA LM-80-08. Lighting Facts qualified.

**FINISH :** Roughed textured powder-coated paint finish. Available in RAL 9016 white, RAL 9005 black and RAL 9006 silver. Track adapter color match with light fixture color.

**WEIGHT :** Trim : 3.5 lb (1.5 kg)

**CANOPY MOUNT :** Round canopy, to be mounted on a 4" junction box. Canopy will match luminaire color.

**ENVIRONMENT :** Rated for dry locations only. Applications in damp or wet locations will void warranty.

**REPORTED LIFE :** **50'000 hrs at L77 in accordance with IESNA TM-21-11** (Projecting Long Term Lumen Maintenance of LED Light Sources).

**WARRANTY :** 5-year comprehensive system warranty (LED Light Engine, LED Driver and luminaire parts).

**BACK TO LIFE :** Luminaire can be refurbished with the newest generation of LED and driver.

**INPUT WATTAGE :** Max settable driver output : 50W(3000lm-5700lm)

**MADE IN CANADA :** Luminaires are assembled in Canada, Beloeil.

**GAI** GAI value 80 @ CRI93 **Due to continuous improvements, the information herein may be changed without notice**

Last update 10/27/2021



**Z SWAP** Tool-less interchangeable reflector assembly system  
**SHIP2FAST** Fast delivery program

**ansorg**

ON LIGHT

Iqona ILT

4-1/2" LED TRACK LIGHT



MADE IN

PRODUCT	DELIVERED LUMENS	LED COLOR	CRI	BEAM SPREAD	DIMMING	HOUSING COLOR	MOUNTING
Iqona ILT	20 2000 LM (14W) 25 2500 LM (17W) 30 3000 LM (21W) 35 3500LM (23W) 41 4200LM (28W) 51 5200LM (32W) 61 6100LM (35W)	27 2700 K 30 3000 K 35 3500 K 40 4000 K 50 5000 K B Bread color M Meat color F Fish color	80 80 CRI min. value 90 90 CRI min. value 97 (2700k 3000K 5600K) A A Class* (3000K, 3500K, 4000K)	SP 17° (reflector) SSP 20° (reflector) MFL 22° (reflector) FL 37° (reflector) WFL 54° (reflector) VWFL 66° (reflector)	ADIM 0-10V dim. — None dim.	WH RAL 9016 white BK RAL 9005 black SL RAL 9006 silver  * Custom color	3C 3 circuits GLOBAL® or on Stucchi® track system.

**ACCESSORIES : Order as separate part number.**

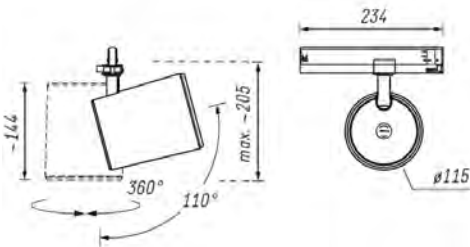
Stucchi ONE TRACK	4',8',12' 3 circuits track with intergrated DALI/0-10V control Recessed/suface mount/high track , black, grey, white finish + accessories
Global track	4',8',12' 3 circuits track, surface mount only, white & black finish

**DELIVERED LUMEN** Nominal value at 3500K & 84 CRI

CCT OPTION	2700K	2700K	2700K	3000K	3000K	3000K	3500K	3500K	3500K	4000K	4000K	4000K	Bread	Meat	Fish
CRI OPTION	84	90	97	80/A	90	97	84	90	A/80	84	90	A/80	80	80	80
MULTIPLIER	.93	.77	.67	.96	.80	.71	1	.83	.78	1.0	0.86	.83	.86	.53	1

DIMENSIONS

\*dimensions are in mm



Weight trim: 2.0 lb (0.9 kg)      Diameter: 4-1/2"(115mm)

Max height: 8" (180mm)

Last update 6/17/2022

ON LIGHT CHEAT SHEET :

- Nominal Efficacy : up to 141.6 lm/W
- 3-Step MacAdam ellipse color consistency for clean and uniform lighting.
- Lumen maintenance L80/B10 :50 000h ta 25°C
- 5-year warranty on LED light engine, driver and all lighting fixture components.
- Failure rate C0/B10 : 50 000h ta 25°C
- Input class 2: 120V. Max settable intrack driver output :135W / 0.32A
- Light fixture number per circuit breaker 20A : 50
- ETL certified to US and Canadian safety standards.
- Tool-less interchangeable reflector and accessories assembly system.
- Mini. R9 value for 80 CRI CRI is 0. the min. R9 values for 90 LED is 50. the min. R9 value for 97 CRI LED is 93. For Décor series LED, Typical R9 value is 98 to enhance RED's and an R15 value of 97
- Luminaires are assembled in Canada, Beloeil.

Due to continuous improvements, the information herein may be changed without notice





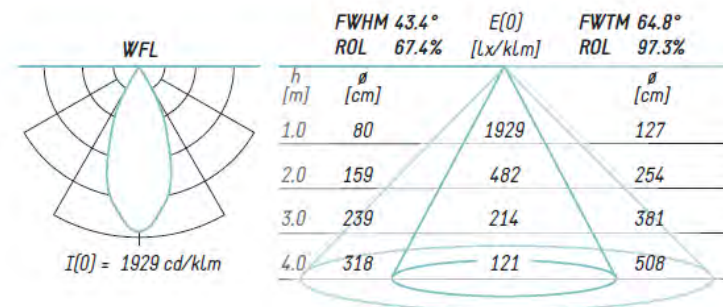
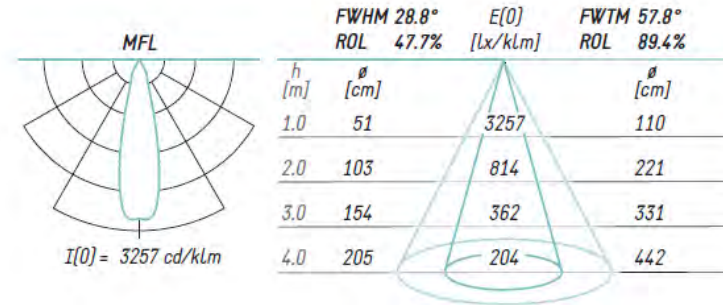
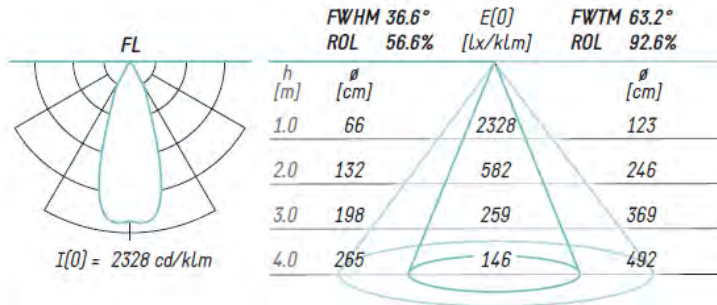
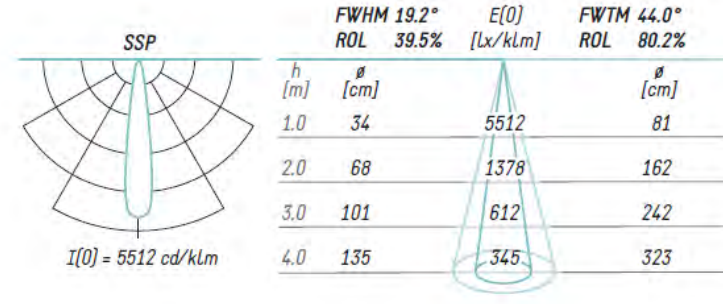
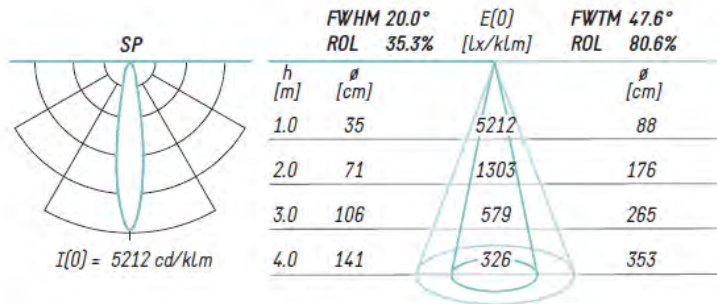
**Z SWAP** Tool-less interchangeable reflector assembly system  
**SHIP2FAST** Fast delivery program

**ansorg**

ON LIGHT

Iqona ILT

4-1/2" LED TRACK LIGHT







**SWAP** Tool-less interchangeable reflector assembly system  
**SHIP2FAST** Fast delivery program

**ansorg**

ON LIGHT

Iqona IMT 3" LED TRACK LIGHT



MADE IN

IMT	DELIVERED LUMENS	LED COLOR	CRI	BEAM SPREAD	HOUSING COLOR	DIMMING OPTION	MOUNTING
Iqona IMT	15 1500 LM (11W)199LM/W 20 2000 LM (14W)196LM/W 25 2500 LM (16W) 194LM/W 30 3000 LM (20W) 192LM/W 35 3500 LM (22W) 190LM/W 40 4000 LM (25W) 188LM/W *Custom lumen output on request.	27 2700 K 30 3000 K 35 3500 K 40 4000 K 50 5000 K B Bread color M Meat color F Fish color	80 80 CRI min. value 90 90 CRI min. value 97 (2700k 3000K 5600K) A A Class* (3000K, 3500K, 4000K)	SP 17° (reflector) SSP 20° (reflector) MFL 22° (reflector) FL 37° (reflector) WFL 54° (reflector) VWFL 66° (reflector)	WH RAL 9016 white BK RAL 9005 black SL RAL 9006 silver * Custom color	ADIM 0-10V Dim.* — None (leave blank) * only with stucchi track	3C 3 circuits GLOBAL® or on Stucchi® track system.

**ACCESSORIES : Order as separate part number.**

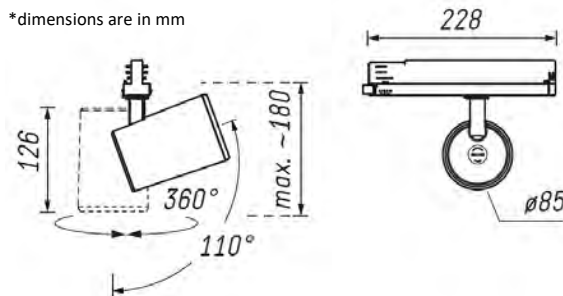
Stucchi ONE TRACK	4',8',12' 3 circuits track with intergrated DALI/0-10V control Recessed/suface mount/high track , black, grey, white finish + accessories
Global track	4',8',12' 3 circuits track, surface mount only, white & black finish

**DELIVERED LUMEN** Nominal value at 3500K & 84 CRI

CCT OPTION	2700K	2700K	2700K	3000K	3000K	3000K	3500K	3500K	3500K	4000K	4000K	4000K	Bread	Meat	Fish
CRI OPTION	84	90	97	80/A	90	97	84	90	A/80	84	90	A/80	80	80	80
MULTIPLIER	.93	.77	.67	.96	.80	.71	1	.83	.78	1.0	0.86	.83	.86	.53	1

DIMENSIONS

\*dimensions are in mm



Weight trim: 1.5 lb (0.8 kg) Diameter: 3-11/32"(85mm)

Max height: 7" (180mm)

Last update 5/18/2022

ON LIGHT CHEAT SHEET :

- Nominal Efficacy : up to 199 lm/W
- 3-Step MacAdam ellipse color consistency for clean and uniform lighting.
- Lumen maintenance L80/B10 :50 000h ta 25°C
- 5-year warranty on LED light engine, driver and all lighting fixture components.
- Failure rate C0/B10 : 50 000h ta 25°C
- Input class 2: 120V. Max settable intrack driver output :125W / 0.22A
- Light fixture number per circuit breaker 20A : 72
- ETL certified to US and Canadian safety standards.
- Tool-less interchangeable reflector and accessories assembly system.
- Mini. R9 value for 80 CRI CRI is 0. the min. R9 values for 90 LED is 50. the min. R9 value for 97 CRI LED is 93. For Décor series LED, Typical R9 value is 98 to enhance RED's and an R15 value of 97
- Luminaires are assembled in Canada, Beloeil.

Due to continuous improvements, the information herein may be changed without notice



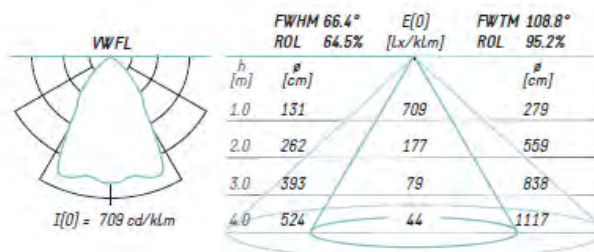
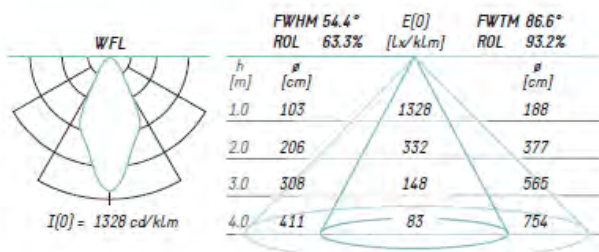
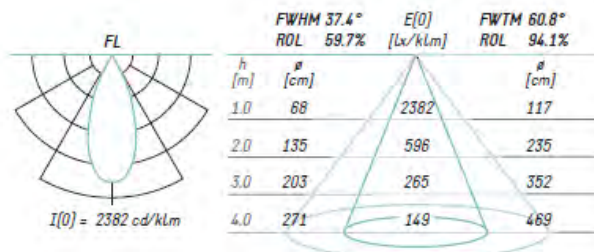
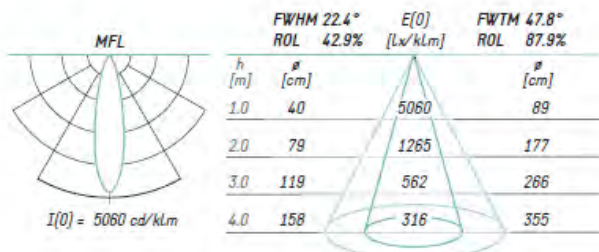
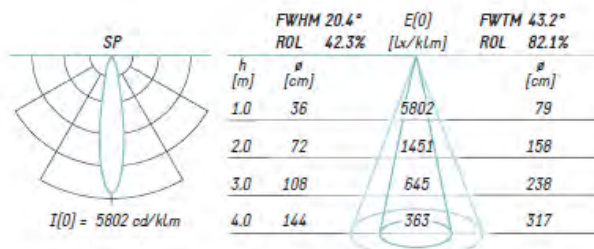
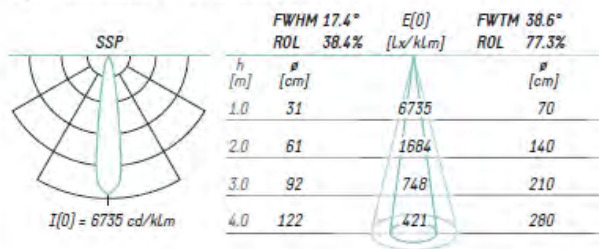
**Z SWAP** Tool-less interchangeable reflector assembly system  
**SHIP2FAST** Fast delivery program

**ansorg**

ON LIGHT

Iqona IMT 3" LED TRACK LIGHT

Light distribution with reflector





**SWAP** Tool-less interchangeable reflector assembly system  
**SHIP2FAST** Fast delivery program

**ansorg**

ON LIGHT

Iqona IST 2" LED TRACK LIGHT



MADE IN

IST	DELIVERED LUMENS	LED COLOR	CRI	BEAM SPREAD	HOUSING COLOR	DIMMING OPTION	MOUNTING
Iqona IST	15 1500 LM (11W)151LM/W 16 1600 LM (12.7W)148LM/W 17 1700 LM (15W) 146LM/W *Custom lumen output on request.	27 2700 K 30 3000 K 35 3500 K 40 4000 K 50 5000 K + Aall CCT 1750K to 6500K	80 80 CRI min. value 90 90 CRI min. value 97 (2700k 3000K 5600K) A A Class* (3000K, 3500K, 4000K)	SP 17° (reflector) SSP 20° (reflector) MFL 22° (reflector) FL 37° (reflector) WFL 54° (reflector) VWFL 66° (reflector)	WH RAL 9016 white BK RAL 9005 black SL RAL 9006 silver * Custom color	ADIM 0-10V Dim.* — None (leave blank) * only with stucchi track	3C 3 circuits GLOBAL® or on Stucchi® track system.

**ACCESSORIES : Order as separate part number.**

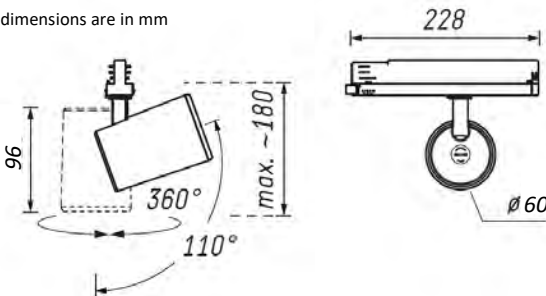
Stucchi ONE TRACK	4',8',12' 3 circuits track with intergrated DALI/0-10V control Recessed/suface mount/high track , black, grey, white finish + accessories
Global track	4',8',12' 3 circuits track, surface mount only, white & black finish

**DELIVERED LUMEN** Nominal value at 3500K & 84 CRI

CCT OPTION	2700K	2700K	2700K	3000K	3000K	3000K	3500K	3500K	3500K	4000K	4000K	4000K	Bread	Meat	Fish
CRI OPTION	84	90	97	80/A	90	97	84	90	A/80	84	90	A/80	80	80	80
MULTIPLIER	.93	.77	.67	.96	.80	.71	1	.83	.78	1.0	0.86	.83	.86	.53	1

DIMENSIONS

\*dimensions are in mm



Weight trim: 1.5 lb (0.8 kg) Diameter: 2-3/8" (60mm)

Max height: 7" (180mm)

Last update 9/22/2022

ON LIGHT CHEAT SHEET :

- Nominal Efficacy : up to 151 lm/W
- 3-Step MacAdam ellipse color consistency for clean and uniform lighting.
- Lumen maintenance L80/B10 :50 000h ta 25°C
- 5-year warranty on LED light engine, driver and all lighting fixture components.
- Failure rate C0/B10 : 50 000h ta 25°C
- Input class 2: 120V. Max settable intrack driver output :115W / 0.15A
- Light fixture number per circuit breaker 20A : 100
- ETL certified to US and Canadian safety standards.
- Tool-less interchangeable reflector and accessories assembly system.
- Mini. R9 value for 80 CRI CRI is 0. the min. R9 values for 90 LED is 50. the min. R9 value for 97 CRI LED is 93. For Décor series LED, Typical R9 value is 98 to enhance RED's and an R15 value of 97
- Luminaires are assembled in Canada, Beloeil.

Due to continuous improvements, the information herein may be changed without notice





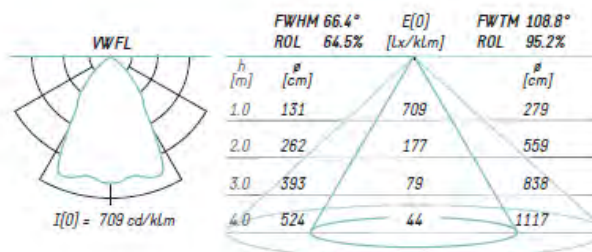
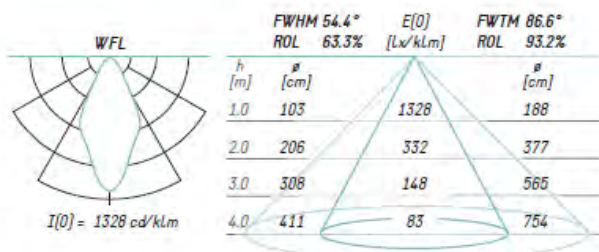
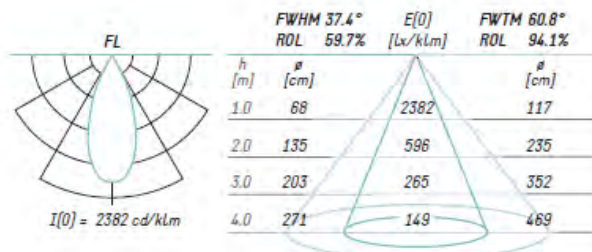
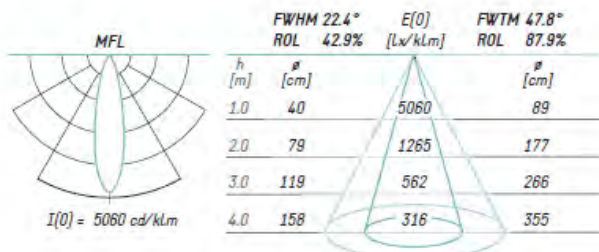
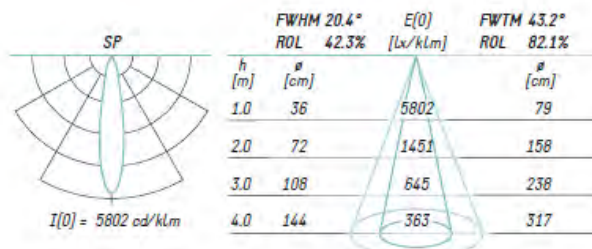
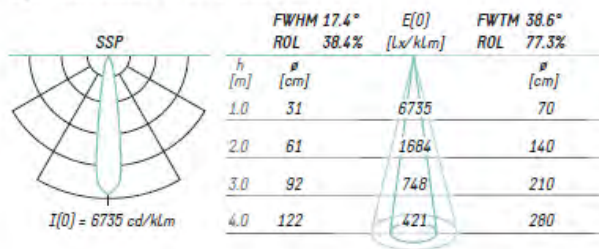
**Z SWAP** Tool-less interchangeable reflector assembly system  
**SHIP2FAST** Fast delivery program

**ansorg**

ON LIGHT

Iqona IST 2" LED TRACK LIGHT

Light distribution with reflector





Tool-less interchangeable reflector assembly system  
 Refurbish program  
 Maintenance program  
 Fast delivery program

**ansorg**

ON LIGHT

Bit BMT 3" LED TRACK LIGHT

MADE IN

PRODUCT	DELIVERED LUMENS	LED COLOR	CRI	BEAM SPREAD	VOLTAGE	HOUSING COLOR	MOUNTING	TRACK CIRCUIT
Bit BMT	15 1500 LM (11W)199LM/W	27 2700 K	84 nominal CRI at 3500k	SSP 17° (reflector)	1 120V	WH RAL 9016 white	GLO GLOBAL®	1 1 CCT
	20 2000 LM (14W)196LM/W	30 3000 K	90 90 CRI min. value	SP 20° (reflector)	2 277V*	BK RAL 9005 black	STI STUCCHI®	2 2 CCT *
	26 2600 LM (17W) 194LM/W	35 3500 K	97 (2700k 3000K 5600K)	MFL 22° (reflector)		SL RAL 9006 silver	LOL LIGHTOLIER®	3 3 CCT *
	30 3000 LM (20W) 192LM/W	40 4000 K	A A Class (3000K, 3500K, 4000K)	FL 37° (reflector)	*only with stucchi track		JUN JUNO®	
	35 3500 LM (22W) 190LM/W	50 5000 K		WFL 54° (reflector)	— black		HAL HALO®	* ONLY AVAILABLE WITH GLOBALTRAC OR STUCCHI TRACK®
	40 3900 LM (25W) 188LM/W	B Bread color		VWFL 66° (reflector)	Only available with Stucchi*		CM Canopy mount	
		M Meat color		SPL 13° (lens)				
		F Fish color		FLL 27° (lens)				

**ACCESSORIES : Order as separate part number.**

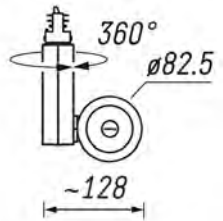
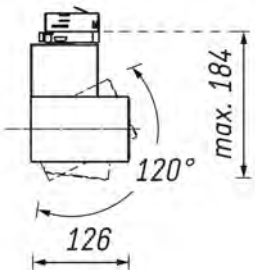
CBU	Casambi dimming (DALI or 0-10V) bluetooth control	MF	Moodfilter
HCG	Honeycomb grid, black	UV	UV Filter
PG	Protection glass	DL	Diffusing lens (Albarino)
OT	Obliqur tube	RG	Ribbed glass

**DELIVERED LUMEN** Nominal value at 3500K & 84 CRI

CCT OPTION	2700K	2700K	2700K	3000K	3000K	3000K	3500K	3500K	3500K	4000K	4000K	4000K	Bread	Meat	Fish
CRI OPTION	84	90	97	80/A	90	97	84	90	A/80	84	90	A/80	80	80	80
MULTIPLIER	.93	.77	.67	.96	.80	.71	1	.83	.78	1.0	0.86	.83	.86	.53	1

DIMENSIONS

\*dimensions are in mm



Weight trim: 1.5 lb (0.8 kg) Diameter: 3-11/32"(85mm)

Max height: 7" (184mm)

Last update 11/7/2022

ON LIGHT CHEAT SHEET :

- Nominal Efficacy : up to 133 lm/W
- 3-Step MacAdam ellipse color consistency for clean and uniform lighting.
- Lumen maintenance L80/B10 :50 000h ta 25°C
- 5-year warranty on LED light engine, driver and all lighting fixture components.
- Failure rate C0/B10 : 50 000h ta 25°C
- Max settable driver output : 120W (500lm-4000lm).
- Tool-less interchangeable reflector and accessories assembly system.
- Number per circuit breaker 20A : 50
- ETL certified to US and Canadian safety standards.
- Mini. R9 value for 80 CRI CRI is 0. the min. R9 values for 90 LED is 50. the min. R9 value for 97 CRI LED is 93. For Décor series LED, Typical R9 value is 98 to enhance RED's and an R15 value of 97
- Luminaires are assembled in Canada, Beloeil.

Due to continuous improvements, the information herein may be changed without notice



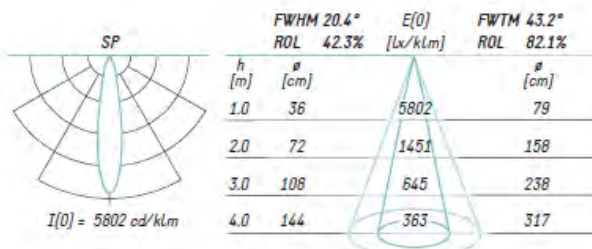
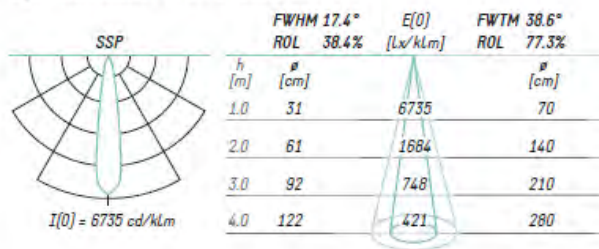
Designed for maximum economy and efficiency, Bit captivates with brilliant light. Thanks to its large swivel radius, the surface-mounted spotlight is also suitable for illuminating high decoration. Its neutral, restrained design language makes it extremely versatile. The deeply installed reflector ensures good glare suppression and a high level of visual comfort.

**ansorg**

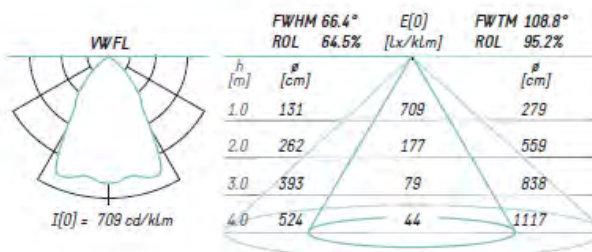
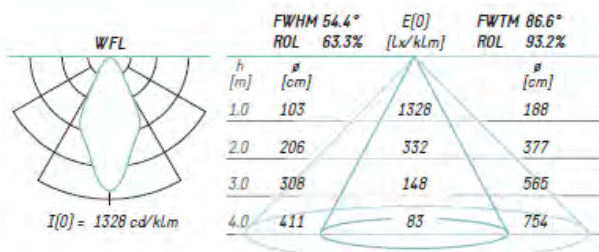
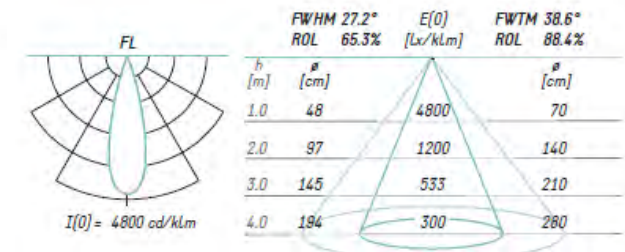
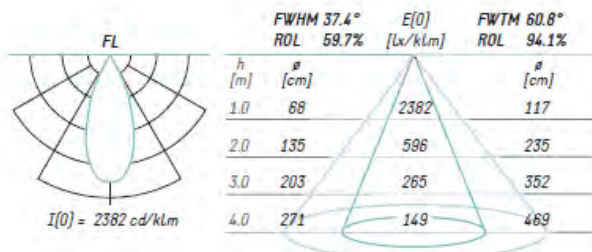
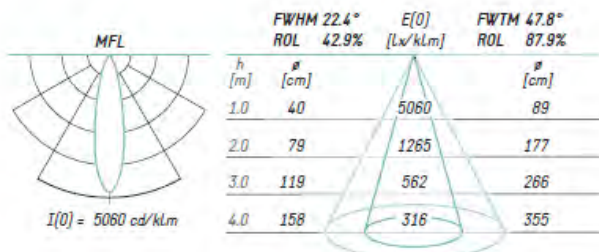
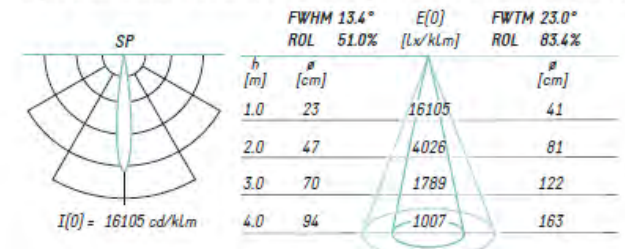
ON LIGHT

Bit BMT 3" LED TRACK LIGHT

Light distribution with reflector



Light distribution with lens, continuously between SP and FL







- BACK2LIFE** Innovative light fixture refurbish and recycle program
- EZ SWAP** Tool-less interchangeable reflector assembly system
- SHIP2FAST** Fast delivery program

Project:

QUANTITIES:

**RADDO** 4" LED TRACK LIGHT



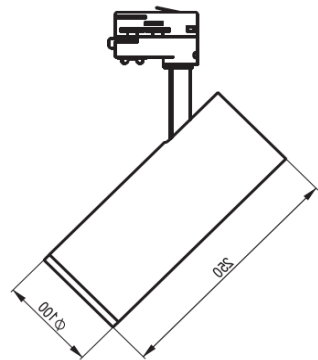
BUILD YOUR CODE															
RADDO	DELIVERED LUMENS		LED COLOR		CRI	BEAM SPREAD	VOLTAGE	HOUSING COLOR	DIMMING OPTION		MOUNTING		TRACK CIRCUIT		
RADDO	10	1000 LM (9W)	27	2700 K	84	nominal CRI at 3500K	SP 18° ▲	1 120V	WH RAL 9016 white	ADIM	0-10V Dim. 5%	GLO	GLOBAL®	1	1 CCT
	15	1500 LM (11W)	30	3000 K	90	90 CRI min. value	NFL 25° ▲	2 277V	BK RAL 9005 black	ADIM+	0-10V Dim 0.1%	STI	STUCCHI®	2	2 CCT *
	20	2000 LM (14W)	35	3500 K	97 *	(2700K 3000K 5600K)	FL 35° ▲	3 347V*	SL RAL 9006 silver	DALI	Dali	LOL	LIGHTOLIER®	3	3 CCT *
	25	2500 LM (16W)	40	4000 K	A	A Class*	WFL 45° ▲	*for canopy mount version only)	+ Custom color	CA	Casambi*	JUN	JUNO®		
	30	3100 LM (20W)	TW	2700K to 5000K	* A Class only available with (3000K, 3500K, 4000K)					None		HAL	HALO®		
	35	3500 LM (22W)	TW1	4000K to 1800K 30W max						Only available with Stucchi, Global nordic aluminium adapter or canopy mount		CM	Canopy mount		*ONLY AVAILABLE WITH GLO-BALTRAC OR STUCCHI TRACK®
	40	4100 LM (25W)	TW2	6500K to 2700K 30W max						*Bluetooth control via Casambi app					
			B	Bread color											
			M	Meat color											
			F	Fish color											
			+	All CCT 1750K to 6500K											

ACCESSORIES : Order as separate part number.	
HCL	Honeycomb louver
PG	Protection glass (glass or plexi)
LS	Lens
BS	Black snoot

DELIVERED LUMEN Nominal value at 3500K & 84 CRI																
CCT OPTION	2700K	2700K	2700K	3000K	3000K	3000K	3500K	3500K	3500K	4000K	4000K	4000K	Bread	Meat	Fish	
CRI OPTION	80	90	97	80/A	90	97	84	90	A/80	84	90	A/80	80	80	80	
MULTIPLIER	.93	.77	.67	.96	.80	.71	1	.83	.78	1.0	0.86	.83	.86	.53	1	

DIMENSIONS

- Weight trim: 3.3 lb (1.5 kg)
- Height: 10"
- Diameter: 4"
- Arm length: 3" or custom



ON LIGHT CHEAT SHEET :

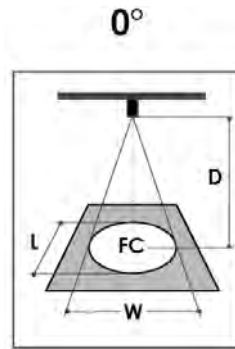
- Nominal Efficacy : up to 190 lm/W
- Reported Life : 50'000 hrs. in accordance with IESNA TM-21-11.
- 3-Step MacAdam ellipse color consistency for clean and uniform lighting.
- Photometry conducted by independent NVLAP (National Voluntary Laboratory Accreditation Program) accredited testing laboratory in accordance with IESNA LM-79-08.
- Lumen maintenance for LED's tested by LED chip manufacturer in accordance with IESNA LM80-08.
- 5-year warranty on LED light engine, driver and all lighting fixture components.
- Input watt : 30W
- Dimming 0-10V down to 5% or 0.1%.
- Tool-less interchangeable reflector and accessories assembly system.
- Bluetooth dimming or CCT control via free Casambi app for Android and Apple.



**RADDO** 4"LED TRACK LIGHT

CONE OF LIGHT DIAGRAM

(diameter shown is where fc is half the fc at nadir)



Product Family	Beam Spread	CBCP cd	D ft	FC	L ft	W ft	Product Family	Beam Spread	CBCP cd	D ft	FC	L ft	W ft	
Raddo 3100 lumen 3500K 84 CRI	18° (Spot)	19623	10	196.2	7.2	7.2	Raddo 3100 lumen 3500K 84 CRI	45° (Wide Flood)	6018	10	60.2	2.8	2.8	
			12	136.3	8.6	8.6				12	41.8	3.3	3.3	
			14	100.1	10.1	10.1				14	30.7	3.9	3.9	
			16	76.7	11.5	11.5				16	23.5	4.4	4.4	
			18	60.6	12.9	12.9				18	18.6	5.0	5.0	
20	49.1	14.4	14.4	20	15.0	5.6	5.6							
Raddo 3100 lumen 3500K 84 CRI	25° (Narrow Flood)	14170	10	141.7	3.9	3.9								
			12	98.4	4.6	4.6								
			14	72.3	5.4	5.4								
			16	55.4	6.2	6.2								
			18	43.7	7.0	7.0								
20	35.4	7.7	7.7											

TECHNICAL PRODUCT SPECIFICATIONS

<p><b>TRIM HOUSING :</b> Extrusion aluminum housing construction. EZ Swap Tool-less interchangeable reflector assembly system between all track and downlight products. Extrusion aluminum construction. Track head can be rotated up to 350° and pivoted up to 90°.</p> <p><b>ARM TRACK :</b> Arm length (junction between track adapter and housing) can be customized</p> <p><b>OPTICAL SYSTEM :</b> Tool-less, user-friendly MIRO ® pure aluminum optical reflector assembly available in four beam spreads: 18 °, 25 °, 35 ° &amp; 45 °. Faceted/dimpled reflector ensures clean and uniform beam of light.</p> <p><b>LED LIGHT ENGINE :</b> BRIDGELUX VERO SERIES 2 or 3 SDCM / 2 or 3 Step MacAdam ellipse multi-chip LED cluster Light Engine yields perfect color consistency with clean and uniform beam of light.</p> <p><b>LED DRIVER :</b> Proprietary LED driver. Power factor: &gt; 97 % at 120 V. Driver output is Class 2 rated.</p> <p><b>A CLASS COLOR :</b> Class A is based on human response testing, providing color points with a combined GAI and CRI metric.</p> <p><b>FOOD COLOR :</b> Ensures accurate food color rendition of meat, bread or fish in food retailers.</p> <p><b>BRIDGELUX CCT :</b> 1750K, 2000K, 2500K, 2700K, 3000K, 3500K, 4000K, 5000K, 5600K, 5700K, 6500K.</p> <p><b>R9 VALUE</b> Mini. R9 value for 80 CRI CRI is 0. the min. R9 values for 90 LED is 50. the min. R9 value for 97 CRI LED is 93. For Décor series LED, Typical R9 value is 98 to enhance RED's and an R15 value of 97</p>	<p><b>DIMMING</b> 0-10V dimming option down to 0.1%</p> <p><b>CASAMBI</b> Bluetooth dimming or CCT control via free Casambi app for Android and Apple</p> <p><b>CERTIFICATION :</b> Photometrically tested by NVLAP accredited testing laboratory in accordance with IESNA LM-79-08. LED Light Engine tested by LED chip manufacturer in accordance with IESNA LM-80-08. Lighting Facts qualified.</p> <p><b>FINISH :</b> Roughed textured powder-coated paint finish. Available in RAL 9016 white, RAL 9005 black and RAL 9006 silver. Track adapter/ canopy will match luminaire color.</p> <p><b>WEIGHT :</b> Trim : 3.3 lb (1.5 kg)</p> <p><b>ENVIRONMENT :</b> Rated for dry locations only. Applications in damp or wet locations will void warranty.</p> <p><b>REPORTED LIFE :</b> 50'000 hrs at L77 in accordance with IESNA TM-21-11 (Projecting Long Term Lumen Maintenance of LED Light Sources).</p> <p><b>WARRANTY :</b> 5-year comprehensive system warranty (LED Light Engine, LED Driver and luminaire parts).</p> <p><b>BACK TO LIFE :</b> Luminaire can be refurbished with the newest generation of LED and driver.</p> <p><b>INPUT WATTAGE :</b> 30W</p> <p><b>MADE IN CANADA :</b> Luminaires are assembled in Canada, Montréal.</p> <p><b>GAI</b> GAI value 80 @ CRI93</p> <p><b>TUNABLE WHITE :</b> Lunimus Tunable white LED : 6500K to 2700K CCT range or 4000K to 1800K CCT. CRI 95 white both channels powered on. Max 15W per channel. Or Bridgelux VESTA LED 2700K to 5000K CCT range 90CRI.</p>
---	---



BACK2LIFE Innovative light fixture refurbish and recycle program  
SHIP2FAST Fast delivery program

Sun Catcher 11-1/2" & 22" LED LINEAR LIGHTING FIXTURE



SC	PRODUCT	DELIVERED LUMENS	LED COLOR	CRI	BEAM SPREAD	SHADE FINISH	VOLTAGE	HOUSING COLOR	DIMMING OPTION	MOUNTING
SC Sun catcher	65	6500 LM (1x30W) 2x7 LED	27 2700 K	80 80 CRI*	AB Asymmetric beam for aisle lighting	BG Black gloss	1 120V	WH RAL 9016 white	ADIM 0-10V Dim.	TS3 Track STUCCHI 3C®
	85	8500 LM (1x40W) 2x7 LED	30 3000 K	90 90 CRI*		WG White gloss	2 277V	BK RAL 9005 black	DALI Dali	TS2 Track STUCCHI 2C®
	105	10500 LM (2x40W) 2x14 LED	35 3500 K	*min. value	WW Wall wash beam	MG Metal gloss	3 347V*	SL RAL 9006 silver	— ON - OFF	CM Canopy mount
	125	12500 LM (1x80W) 2x14 LED	40 4000 K		FB 35° Flood beam	BM Black matt	+	Custom color		S5 Suspended 5ft
	150	15000 LM (1x93W) 2x14 LED	50 5000 K		MWB 50° Medium wide beam	WM White matt				S10 Suspended 5ft
	180	18000 LM (2x53) 2x14 LED			WB 80° Wide beam	MM Metal matt				S15 Suspended 5ft
	Nominal value at 3000K & 80 CRI. Custom lumen output only on request									*suspended & canopy mount version only

**ACCESSORIES : Order as separate part number.**

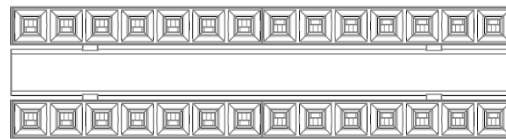
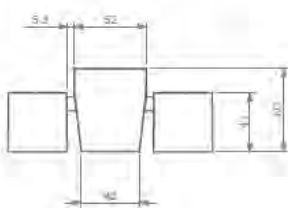
Stucchi ONE TRACK	4',8',12' 3 circuits track with integrated DALI/0-10V control Recessed/surface mount/high track , black, grey, white finish + accessories
Global track	4',8',12' 3 circuits track, surface mount only, white & black finish

**DELIVERED LUMEN** Nominal value at 3500K & 84 CRI

CCT OPTION	2700K	2700K	2700K	3000K	3000K	3000K	3500K	3500K	3500K	4000K	4000K	4000K	Bread	Meat	Fish
CRI OPTION	80	90	97	80/A	90	97	84	90	A/80	84	90	A/80	80	80	80
MULTIPLIER	.93	.77	.67	.96	.80	.71	1	.83	.78	1.0	0.86	.83	.86	.53	1

DIMENSIONS

ON LIGHT CHEAT SHEET :



LENGHT 2 x 7 LED : 11-1/2" (290mm)      LENGHT 2 x 14 LED : 22" (565.5mm)  
WEIGHT 2 x 7 LED : 7 lb (3.5kg) 4.8 lb (2.5 kg)      WEIGHT 2 x 14 LED : 4.8 lb (2.5 kg)

- Nominal Efficacy : up to 190 lm/W
- Reported Life : 50'000 hrs. in accordance with IESNA TM-21-11.
- 3-Step MacAdam ellipse color consistency for clean and uniform lighting.
- Photometry conducted by independent NVLAP (National Voluntary Laboratory Accreditation Program) accredited testing laboratory in accordance with IESNA LM-79-08.
- Lumen maintenance for luminaire LED's tested by LED chip manufacturer in accordance with IESNA LM80-08.
- 5-year warranty on LED light engine, driver and all lighting fixture components.
- Dark Light concept with UGR <19
- Die-Cast aluminum construction.
- Rotation up to 350°
- Adjustability : pivoted up to 110° , down to 15°.
- Made in Beloeil, Canada.

Last update 2023-03-23

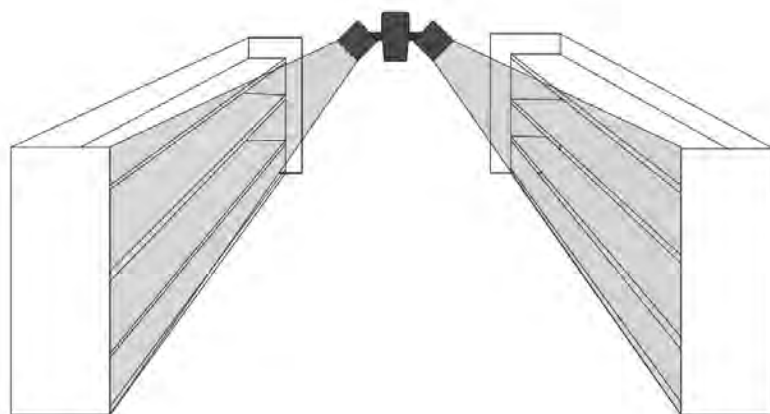
Due to continuous improvements, the information herein may be changed without notice



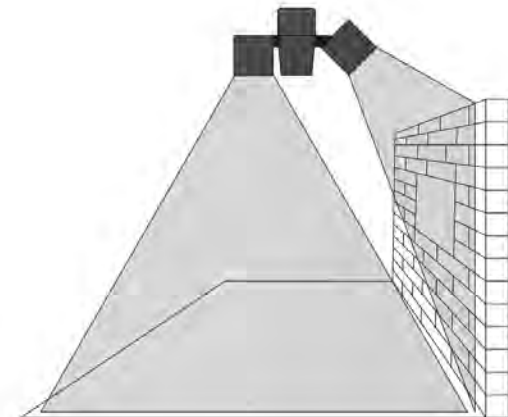
# Sun Catcher



## TYPICAL APPLICATION OF THE SUN CATCHER



- Suspended or Track mounted
- Swiveling arms  $-15^{\circ}$  +  $110^{\circ}$





**SWAP** Tool-less interchangeable reflector assembly system  
**SHIP2FAST** Fast delivery program

Project:

QUANTITIES:

**ansorg**

ON LIGHT

Navo NMT LED TRACK LIGHT



MADE IN

PRODUCT	DELIVERED LUMENS	LED COLOR	CRI	BEAM SPREAD	HOUSING COLOR	MOUNTING
NAVO NMT	15 1500 LM (10W) 20 2000 LM (15W) 25 2500 LM (20W) 30 3000 LM (25W) 40 3900 LM (28W) 50 4900 lm (35W)	27 2700 K 30 3000 K 35 3500 K 40 4000 K 50 5000 K B Bread color M Meat color F Fish color	80 80 CRI min. value typ 84 CRI 90 90 CRI min. value typ 93 CRI 97 (2700k 3000K 5600K) A A Class* (3000K, 3500K, 4000K)	WW Wall wash installed at 10ft DF_NB Wall wash installed at 8ft	WH RAL 9016 white BK RAL 9005 black SL RAL 9006 silver  * Custom color	3C 3 circuits GLOBAL® or on Stucchi® track system.

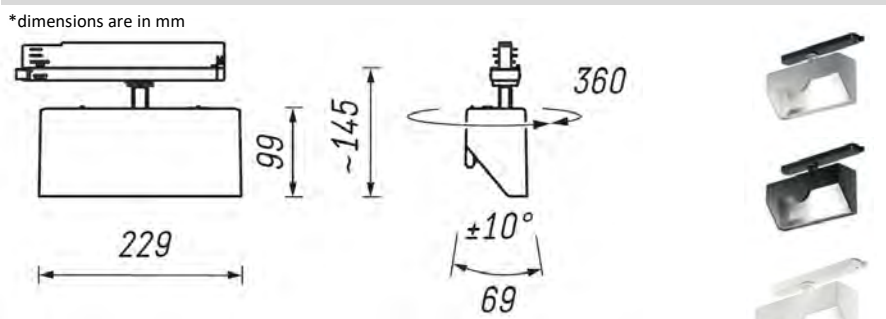
**ACCESSORIES : Order as separate part number.**

Stucchi ONE TRACK	4',8',12' 3 circuits track with intergrated DALI/0-10V control Recessed/suface mount/high track , black, grey, white finish + accessories
Global track	4',8',12' 3 circuits track, surface mount only, white & black finish

**DELIVERED LUMEN** Nominal value at 3500K & 84 CRI

CCT OPTION	2700K	2700K	2700K	3000K	3000K	3000K	3500K	3500K	3500K	4000K	4000K	4000K	Bread	Meat	Fish
CRI OPTION	84	90	97	80/A	90	97	84	90	A/80	84	90	A/80	80	80	80
MULTIPLIER	.93	.77	.67	.96	.80	.71	1	.83	.78	1.0	0.86	.83	.86	.53	1

DIMENSIONS



Weight trim: 1.5 lb (0.8 kg) Length: 9"(229mm)  
 Max height: 5-3/4" (145mm)

ON LIGHT CHEAT SHEET :

- Nominal Efficacy : up to 131 lm/W
- 3-Step MacAdam ellipse color consistency for clean and uniform lighting.
- Lumen maintenance L80/B10 :50 000h ta 25°C
- 5-year warranty on LED light engine, driver and all lighting fixture components.
- Failure rate C0/B10 : 50 000h ta 25°C
- Input class 2: 120V. Max settable intrack driver output : 35W / 0.32A
- Light fixture number per circuit breaker 3x 20A : 3x 50
- ETL certified to US and Canadian safety standards.
- Tool-less interchangeable reflector and accessories assembly system.
- Mini. R9 value for 80 CRI CRI is 0. the min. R9 values for 90 LED is 50. the min. R9 value for 97 CRI LED is 93. For Décor series LED, Typical R9 value is 98 to enhance RED's and an R15 value of 97
- Luminaires are assembled in Canada, Beloeil.

Last update 4/12/2022

Due to continuous improvements, the information herein may be changed without notice



**Z SWAP** Tool-less interchangeable reflector assembly system  
**SHIP2FAST** Fast delivery program

**ansorg**

ON LIGHT

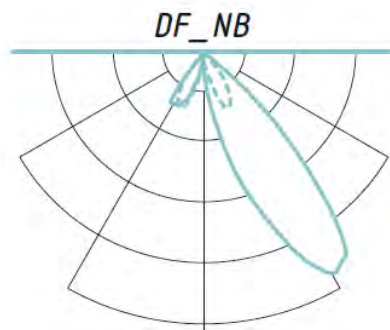
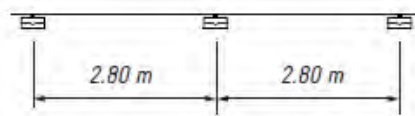
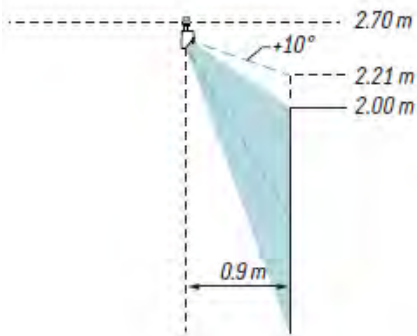
Navo NMT LED TRACK LIGHT

Light distribution

**DF-NB**

Hauteur des rails recommandée  
2,70 m

Max. distance de luminaires

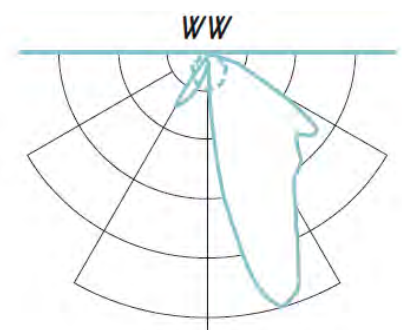
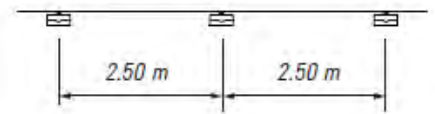
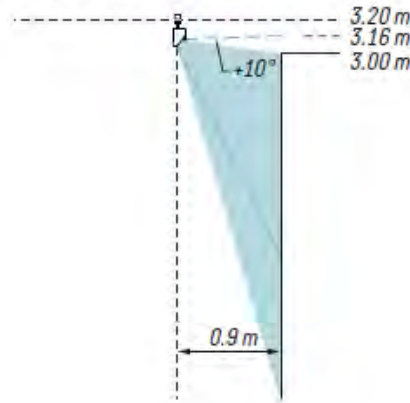


$I(0) = 133 \text{ cd/klm}$   
 $I_{max} = 947 \text{ cd/klm}$

**WW**

Hauteur des rails recommandée  
3,20 m

Max. distance de luminaires



$I(0) = 129 \text{ cd/klm}$   
 $I_{max} = 699 \text{ cd/klm}$



- COOLELED** Real-time temperature monitoring and control
- BACK2LIFE** Innovative light fixture refurbish and recycle program
- EZ SWAP** Tool-less interchangeable reflector assembly system
- SHIP2FAST** Fast delivery program

**CARDA CYLINDER** 6" LED CYLINDER



**ON LIGHT**

PRODUCT	DELIVERED LUMENS	LED COLOR	CRI	BEAM SPREAD	VOLTAGE	HOUSING COLOR	DIMMING OPTION	MOUNTING
CARDA CYLINDER	40 4000 LM (25W) 188LM/W	27 2700 K	84 nominal CRI at 3500k	SP 15° ▲	1 120V	WH RAL 9016 white	ADIM 0-10V Dim. 5%	WM Wall mount
	50 5100 LM (34W) 173LM/W	30 3000 K	90 90 CRI min. value typ. 93 CRI	NFL 24° ▲▲	2 277V	BK RAL 9005 black	DIMO 0-10V DIM 5% to off	CJB Ceiling STD 4" junction box mount
	60 6100 LM (40W) 188LM/W	35 3500 K	97 (2700k 3000K 5600K)	FL 36° ▲▲▲	3 347V*	SL RAL 9006 silver	DALI Dali	ACM Aircraft cable mount 10ft
	73 7300 LM (50W) 186LM/W	40 4000 K	A A Class(3000K, 3500K, 4000K)	WFL 60° ▲▲▲		+ Custom color	— None	ACM15 Aircraft cable mount 15ft
	85 8500 LM (60W) 184LM/W	50 5000 K			*remote step down			ACM20 Aircraft cable mount 20ft
	97 9700 LM (70W) 182LM/W	56 5600 K						
	105 10500 LM (75W) 178LM/W	57 5700 K						
	120 12000 LM (80W) 177LM/W	65 6500 K						
	150 15000 LM (100W) 172LM/W							

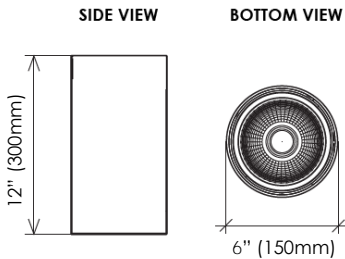
ACCESSORIES : Order as separate part number.	
PG	Protection glass (glass or plexi)
LS	Lens

DELIVERED LUMEN															
CCT OPTION	2700K	2700K	2700K	3000K	3000K	3000K	3500K	3500K	3500K	4000K	4000K	4000K	Bread	Meat	Fish
CRI OPTION	80	90	97	80/A	90	97	84	90	A/80	84	90	A/80	80	80	80
MULTIPLIER	.93	.77	.67	.96	.96	.71	1	1	.78	1.0	1	.83	.86	.53	1

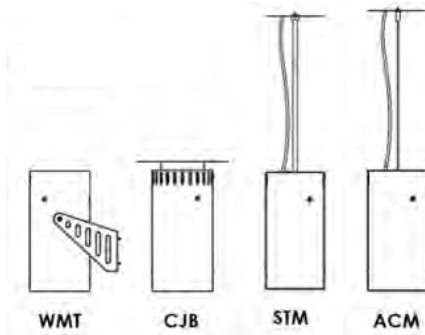
DIMENSIONS

MOUNTING OPTIONS

ON LIGHT CHEAT SHEET :



Height: 12" (300mm) or can be customized  
 Diameter: 6" (150mm)  
 Weight trim: 7 lb (3 kg)



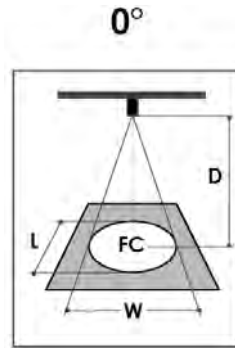
STM or ACM mounting option includes power cord matching cylinder color

- Nominal LED Efficacy : up to 178 lm/W.
- Reported Life : 50'000 hrs. in accordance with IESNA TM-21-11.
- 3-Step MacAdam ellipse color consistency for clean and uniform lighting.
- Photometry conducted by independant NVLAP (National Voluntary Laboratory Accreditation Program) accredited testing laboratory in accordance with IESNA LM-79-08.
- Lumen maintenance for LED's tested by LED chip manufacturer in accordance with IESNA LM80-08.
- 5-year warranty on LED light engine, driver and all lighting fixture components.
- Die-cast & extrusion aluminum housing construction. Single gimbal trim pivotable on 1axis up to 13°.
- Max settable driver output : 25W driver (14-25W), 50W driver (34-50W), 60W driver, 100W driver (40-80W)
- Dimming 0-10V 5%, dim to off, Dali
- Tool-less interchangeable reflector and accessories assembly system.
- Die-cast & extrusion aluminum housing construction. Double gimbal trim pivotable on 2 axis up to 15°





CARDA CYLINDER 6" LED CYLINDER



CONE OF LIGHT DIAGRAM

Product Family	Beam Spread	CBCP cd	D ft	FC	L ft	W ft	Product Family	Beam Spread	CBCP cd	D ft	FC	L ft	W ft
Power 7300 lumen 3500K 84 CRI	15° (Spot)	26792	10	267.9	4.0	4.0	Power 7300 lumen 3500K 84 CRI	36° (Flood)	17615	10	176.2	5.6	5.6
			12	186.1	4.8	4.8				12	122.3	6.7	6.7
			14	136.7	5.6	5.6				14	89.9	7.9	7.9
			16	104.7	6.4	6.4				16	68.8	9.0	9.0
			18	82.7	7.2	7.2				18	54.4	10.1	10.1
20	67.0	8.0	8.0	20	44.0	11.2	11.2						
Power 7300 lumen 3500K 84 CRI	24° (Narrow Flood)	19334	10	193.3	5.2	5.2	Power 7300 lumen 3500K 84 CRI	60° (Wide Flood)	9008	10	90.1	8.1	8.1
			12	134.3	6.3	6.3				12	62.6	9.8	9.8
			14	98.6	7.3	7.3				14	46.0	11.4	11.4
			16	75.5	8.4	8.4				16	35.2	13.0	13.0
			18	59.7	9.4	9.4				18	27.8	14.6	14.6
20	48.3	10.4	10.4	20	22.5	16.3	16.3						

TECHNICAL PRODUCT SPECIFICATIONS

<p><b>TRIM HOUSING :</b> Die-cast aluminum housing construction. Single gimbal trim pivotable on 2 axis up to 15°. EZ Swap Tool-less interchangeable reflector assembly system between all track and downlight products.</p> <p><b>OPTICAL SYSTEM :</b> Tool-less, user-friendly MIRO ® pure aluminum optical reflector assembly available in four beam spreads: 15 °, 24 °, 36 ° &amp; 60 °. Faceted/dimpled reflector ensures clean and uniform beam of light.</p> <p><b>ELECTRICAL ENCLOSURE :</b> Quick connector for easy electric connection</p> <p><b>LED LIGHT ENGINE :</b> BRIDGELUX VERO SERIES 2 or 3 SDCM / 2 or 3 Step MacAdam ellipse multi-chip LED cluster Light Engine yields perfect color consistency with clean and uniform beam of light.</p> <p><b>LED DRIVER :</b> Proprietary LED driver with closed-loop LED Light Engine temperature monitoring &amp; control system for long-life (Prevents LED Light Engine damage caused by overheating). Power factor: &gt; 97 % at 120 V. Driver output is Class 2 rated.</p> <p><b>A CLASS COLOR :</b> Class A is based on human response testing, providing color points with a combined GAI and CRI metric.</p> <p><b>FOOD COLOR :</b> Ensures accurate food color rendition of meat, bread or fish in food retailers.</p> <p><b>BRIDGELUX CCT :</b> 1750K, 2000K, 2500K, 2700K, 3000K, 3500K, 4000K, 5000K, 5600K, 5700K, 6500K.</p> <p><b>R9 VALUE</b> Mini. R9 value for 80 CRI CRI is 0. the min. R9 values for 90 LED is 50. the min. R9 value for 97 CRI LED is 93. For Décor series LED, Typical R9 value is 98 to enhance RED's and an R15 value of 97</p>	<p><b>COOLING SYSTEM :</b> COOLED Temperature sensor/Integrated Circuit controlled brushless MagLev® fan which features zero friction without contact between shaft and bearing. Rated acoustic noise: 17 dBA (nearly inaudible). <b>Rated life: 60'000 hrs</b></p> <p><b>DIMMING</b> 0-10V 5%, dim to off, Dali</p> <p><b>CERTIFICATION :</b> CSA certified to US and Canadian safety standards. Photometrically tested by NVLAP accredited testing laboratory in accordance with IESNA LM-79-08. LED Light Engine tested by LED chip manufacturer in accordance with IESNA LM-80-08. Lighting Facts qualified.</p> <p><b>FINISH :</b> Roughed textured powder-coated paint finish. Available in RAL 9016 white, RAL 9005 black and RAL 9006 silver. Track adapter/ canopy will match luminaire color.</p> <p><b>WEIGHT :</b> Trim : 2.6 lb (1.2 kg)</p> <p><b>ENVIRONMENT :</b> Rated for dry locations only. Applications in damp or wet locations will void warranty.</p> <p><b>REPORTED LIFE :</b> 50'000 hrs at L77 in accordance with IESNA TM-21-11 (Projecting Long Term Lumen Maintenance of LED Light Sources).</p> <p><b>WARRANTY :</b> 5-year comprehensive system warranty (LED Light Engine, LED Driver and luminaire parts).</p> <p><b>BACK TO LIFE :</b> Luminaire can be refurbished with the newest generation of LED and driver.</p> <p><b>INPUT WATTAGE :</b> Max settable driver output : 25W driver (14-25W), 50W driver (34-50W), 60W,100W driver (40-80W)</p> <p><b>MADE IN CANADA :</b> Luminaires are assembled in Canada, Beloeil.</p> <p><b>GAI</b> GAI value 80 @ CRI93</p>
--	---



- BACK2LIFE Innovative light fixture refurbish and recycle program
- SWAP Tool-less interchangeable reflector assembly system
- SHIP2FAST Fast delivery program



RADDO CYLINDER

4" LED CYLINDER



PRODUCT	DELIVERED LUMENS	LED COLOR	CRI	BEAM SPREAD	VOLTAGE	HOUSING COLOR	DIMMING OPTION	MOUNTING
RADDO CYLINDER	20 2000 LM (14W)196LM/W 25 2500 LM (16W) 194LM/W 30 3000 LM (20W) 192LM/W 35 3500 LM (22W) 190LM/W 40 4000 LM (25W) 188LM/W 50 5200 LM (34W) 173LM/W *custom lumen output on request	27 2700 K 30 3000 K 35 3500 K 40 4000 K 50 5000 K 56 5600 K 57 5700 K 65 6500 K	84 nominal CRI at 3500k 90 90 CRI min. value typ. 93 CRI 97 (2700k 3000K 5600K) A A Class(3000K, 3500K, 4000K)	SP 15° NFL 24° MFL 36° FL 45° WFL 60°	1 120V 2 277V 3 347V	WH RAL 9016 white BK RAL 9005 black SL RAL 9006 silver + Custom color	ADIM 0-10V Dim. DALI Dali DMX DMX None	CJB Ceiling STD 4" junction box mount ACM Aircraft cable mount 10ft ACM15 Aircraft cable mount 15ft ACM20 Aircraft cable mount 20ft

<b>ACCESSORIES : Order as separate part number.</b>	
PG	Protection glass (glass or plexi)
LS	Lens

DELIVERED LUMEN <i>Nominal value at 3500K &amp; 84 CRI</i>																
CCT OPTION	2700K	2700K	2700K	3000K	3000K	3000K	3500K	3500K	3500K	4000K	4000K	4000K	Bread	Meat	Fish	
CRI OPTION	80	90	97	80/A	90	97	84	90	A/80	84	90	A/80	80	80	80	
MULTIPLIER	.93	.77	.67	.96	.80	.71	1	.83	.78	1.0	0.86	.83	.86	.53	1	

DIMENSIONS



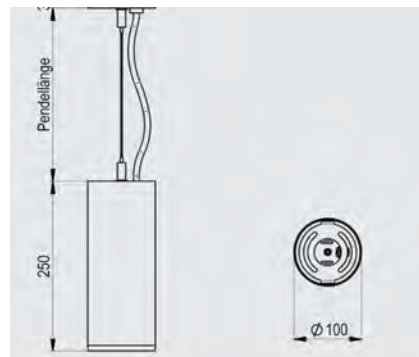
CJB version

Weight trim: 3.3 lb (1.5 kg)

Height: 12" (300mm)

Diameter: 4" (100mm)

Last update 8/4/2022



ACM version

ON LIGHT CHEAT SHEET :

- Nominal Efficacy : up to 107 lm/W
- Reported Life : 50'000 hrs. in accordance with IESNA TM-21-11.
- 3-Step MacAdam ellipse color consistency for clean and uniform lighting.
- Photometry conducted by independant NVLAP (National Voluntary Laboratory Accreditation Program) accredited testing laboratory in accordance with IESNA LM-79-08.
- Lumen maintenance for LED's tested by LED chip manufacturer in accordance with IESNA LM80-08.
- 5-year warranty on LED light engine, driver and all lighting fixture components.
- Max input watt : 35W
- Dimming 0-10V down to 5%, 1% or 0.1%
- Tool-less interchangeable reflector and accessories assembly system.

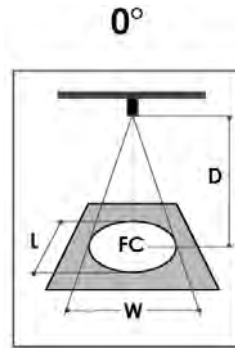
Due to continuous improvements, the information herein may be changed without notice



RADDO CYLINDER 4" LED CYLINDER

CONE OF LIGHT DIAGRAM

(diameter shown is where fc is half the fc at nadir)



Product Family	Beam Spread	CBCP cd	D ft	FC ft	L ft	W ft	Product Family	Beam Spread	CBCP cd	D ft	FC ft	L ft	W ft	
Raddo 3100 lumen 3500K 84 CRI	18° (Spot)	19623	10	196.2	7.2	7.2	Raddo 3100 lumen 3500K 84 CRI	45° (Wide Flood)	6018	10	60.2	2.8	2.8	
			12	136.3	8.6	8.6				12	41.8	3.3	3.3	
			14	100.1	10.1	10.1				14	30.7	3.9	3.9	
			16	76.7	11.5	11.5				16	23.5	4.4	4.4	
			18	60.6	12.9	12.9				18	18.6	5.0	5.0	
20	49.1	14.4	14.4	20	15.0	5.6	5.6							
Raddo 3100 lumen 3500K 84 CRI	25° (Narrow Flood)	14170	10	141.7	3.9	3.9								
			12	98.4	4.6	4.6								
			14	72.3	5.4	5.4								
			16	55.4	6.2	6.2								
			18	43.7	7.0	7.0								
20	35.4	7.7	7.7											

TECHNICAL PRODUCT SPECIFICATIONS

<p><b>TRIM HOUSING :</b> Aluminum housing extrusion. EZ Swap Tool-less interchangeable reflector assembly system between all track and downlight products.</p> <p><b>OPTICAL SYSTEM :</b> Tool-less, user-friendly MIRO ® pure aluminum optical reflector assembly available in four beam spreads: 18 °, 25 °, 35 ° &amp; 45 °. Faceted/dimpled reflector ensures clean and uniform beam of light.</p> <p><b>POWER CORD:</b> Comes with flexible power cord, color will match housing finish. Power cord length will match aircraft cable length.</p> <p><b>LED LIGHT ENGINE :</b> BRIDGELUX VERO SERIES 2 or 4 SDCM / 2 or 4 Step MacAdam ellipse multi-chip LED cluster Light Engine yields perfect color consistency with clean and uniform beam of light.</p> <p><b>LED DRIVER :</b> Power factor: &gt; 97 % at 120 V. Driver output is Class 2 rated.</p> <p><b>A CLASS COLOR :</b> Class A is based on human response testing, providing color points with a combined GAI and CRI metric.</p> <p><b>FOOD COLOR :</b> Ensures accurate food color rendition of meat, bread or fish in food retailers.</p> <p><b>BRIDGELUX CCT :</b> 1750K, 2000K, 2500K, 2700K, 3000K, 3500K, 4000K, 5000K, 5600K, 5700K, 6500K.</p> <p><b>R9 VALUE</b> Mini. R9 value for 80 CRI CRI is 0. the min. R9 values for 90 LED is 50. the min. R9 value for 97 CRI LED is 93. For Décor series LED, Typical R9 value is 98 to enhance RED's and an R15 value of 97</p>	<p><b>DIMMING</b> 0-10V dimming option down to 5% , 1% or 0.1%</p> <p><b>CASAMBI</b> Bluetooth dimming or CCT control via free Casambi app for Android and Apple</p> <p><b>CERTIFICATION :</b> Photometrically tested by NVLAP accredited testing laboratory in accordance with IESNA LM-79-08. LED Light Engine tested by LED chip manufacturer in accordance with IESNA LM-80-08. Lighting Facts qualified.</p> <p><b>FINISH :</b> Roughed textured powder-coated paint finish. Available in RAL 9016 white, RAL 9005 black and RAL 9006 silver. Track adapter/ canopy will match luminaire color.</p> <p><b>WEIGHT :</b> Trim : 3.3 lb (1.5 kg)</p> <p><b>ENVIRONMENT :</b> Rated for dry locations only. Applications in damp or wet locations will void warranty.</p> <p><b>REPORTED LIFE :</b> 50'000 hrs at L77 in accordance with IESNA TM-21-11 (Projecting Long Term Lumen Maintenance of LED Light Sources).</p> <p><b>WARRANTY :</b> 5-year comprehensive system warranty (LED Light Engine, LED Driver and luminaire parts).</p> <p><b>BACK TO LIFE :</b> Luminaire can be refurbished and with the newest generation of LED and driver.</p> <p><b>INPUT WATTAGE :</b> 35W</p> <p><b>MADE IN CANADA :</b> Luminaires are assembled in Canada, Beloeil.</p> <p><b>GAI</b> GAI value 80 @ CRI93</p>
--	--



**SWAP** Tool-less interchangeable reflector assembly system  
**SHIP2FAST** Fast delivery program

**ansorg**

ON LIGHT

Mona MIL LED SUSPENDED LIGHT



MIL	PRODUCT	DELIVERED LUMENS	LED COLOR	CRI	BEAM SPREAD	VOLTAGE	HOUSING COLOR	DIMMING OPTION	MOUNTING
MIL 400	400mm (16") dia.	10 1000 LM (10W)	27 2700 K	80 80 CRI min. value typ 84 CRI	SP 17° (reflector)	1 120V	WH RAL 9016 white	ADIM 0-10V Dim.	S10 Suspended 0-10ft
MIL 600	600mm (24") dia.	15 1500 LM (15W)	30 3000 K	90 90 CRI min. value typ 93 CRI	SSP 20° (reflector)	2 277V	BK RAL 9005 black	DALI Dali	TM Track mount (0-8ft)
		20 2000 LM (20W)	35 3500 K		MFL 22° (reflector)	3 347V	SL RAL 9006 silver	— None	
		25 2500 LM (24W)	40 4000 K		FL 37° (reflector)		* Custom color on request		
		30 3000 LM (27W)	50 5000 K		WFL 54° (reflector)				
		40 4000 LM (30W)	B Bread color						
			M Meat color						
			F Fish color						
		*Custom lumen output on request.							

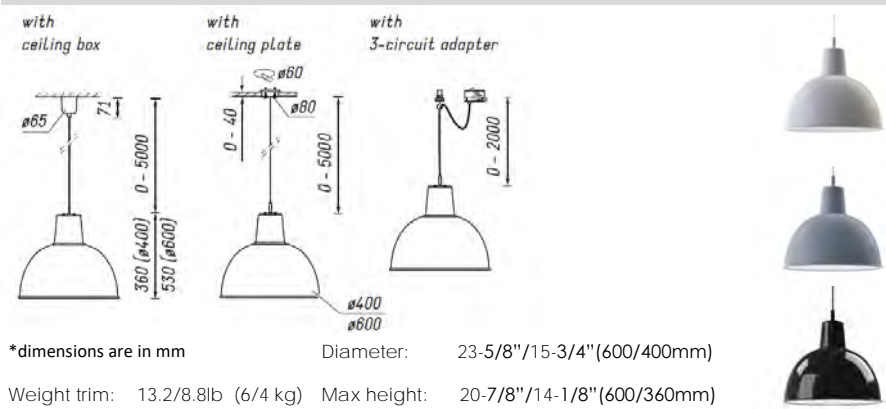
**ACCESSORIES : Order as separate part number.**

HCG Honeycomb grid, black	SG Saftey glass
OT Oblique tube	AO Albarino (diffusing lens)

**DELIVERED LUMEN** Nominal value at 3500K & 84 CRI

CCT OPTION	2700K	2700K	2700K	3000K	3000K	3000K	3500K	3500K	3500K	4000K	4000K	4000K	Bread	Meat	Fish
CRI OPTION	84	90	97	80/A	90	97	84	90	A/80	84	90	A/80	80	80	80
MULTIPLIER	.93	.77	.67	.96	.80	.71	1	.83	.78	1.0	0.86	.83	.86	.53	1

DIMENSIONS



ON LIGHT CHEAT SHEET :

- Nominal Efficacy : up to 134 lm/W
- 3-Step MacAdam ellipse color consistency for clean and uniform lighting.
- Lumen maintenance L80/B10 :50 000h ta 25°C
- 5-year warranty on LED light engine, driver and all lighting fixture components.
- Failure rate C0/B10 : 50 000h ta 25°C
- Input class 2: 120V. Max settable intrack driver output :138W / 0.33A
- Light fixture number per circuit breaker 20A : 25
- ETL certified to US and Canadian safety standards.
- Tool-less interchangeable reflector and accessories assembly system.
- Mini. R9 value for 80 CRI CRI is 0. the min. R9 values for 90 LED is 50. the min. R9 value for 97 CRI LED is 93. For Décor series LED, Typical R9 value is 98 to enhance RED's and an R15 value of 97
- Luminaires are assembled in Canada, Beloeil.





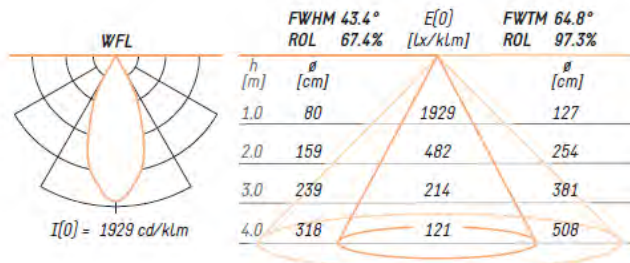
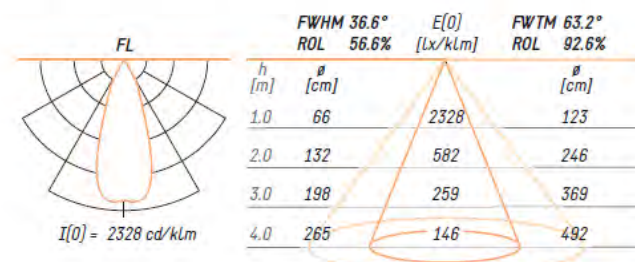
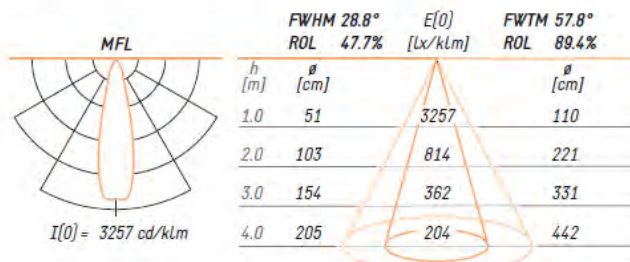
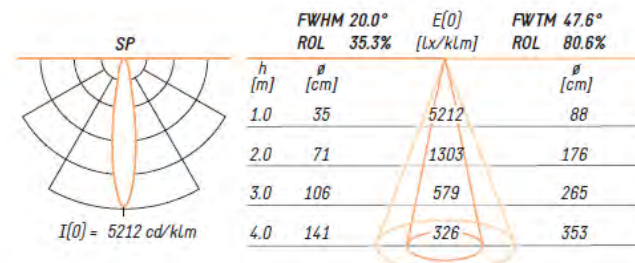
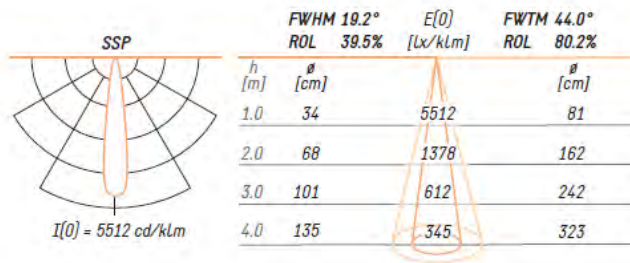
**Z SWAP** Tool-less interchangeable reflector assembly system  
**SHIP2FAST** Fast delivery program

**ansorg**

ON LIGHT

Mona MIL LED SUSPENDED LIGHT

Light distribution





- COOLE D Real-time temperature monitoring and control
- BACK2LIFE Innovative light fixture refurbish and recycle program
- EZ SWAP Tool-less interchangeable reflector assembly system
- SHIP2FAST Fast delivery program

CARDA 7" LED DOWNLIGHT FIXTURE



ON LIGHT

BUILD YOUR CODE

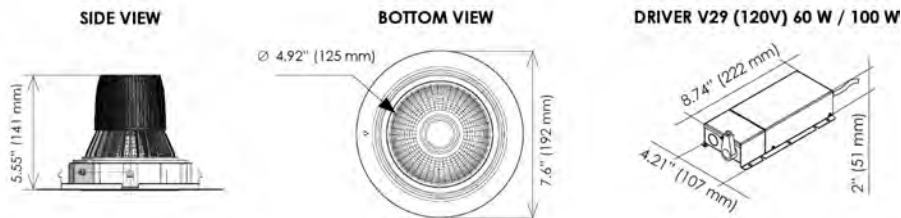
PRODUCT	DELIVERED LUMENS	LED COLOR	CRI	BEAM SPREAD	VOLTAGE	HOUSING COLOR	DIMMING OPTION
CARDA	20 2000 LM (14W)196LM/W	27 2700 K	84 nominal CRI at 3500k	SP 15° ▲	1 120 V	WH RAL 9016 white	ADIM 0-10V 5%
	25 2500 LM (16W) 194LM/W	30 3000 K	90 90 CRI min. value	NFL 24° ▲▲	2 277V	BK RAL 9005 black	ADIM+ 0-10V 0.1%
	30 3000 LM (20W) 192LM/W	35 3500 K	90 min value	FL 36° ▲▲▲	3 347V	SL RAL 9006 silver	DALI Dali
	35 3500 LM (22W) 190LM/W	40 4000 K	97 *(2700k 3000k 5600K)	WFL 60° ▲▲▲		+ Custom color	CA Casambi
	40 4000 LM (25W) 188LM/W	50 5000 K	A A Class*				— None
	50 5100 LM (34W) 173LM/W	TW1 4000K to 1800K <sup>3</sup>	* A Class only available with (3000K, 3500K, 4000K)				
	60 6100 LM (40W) 188LM/W	TW2 6500K to 2700K <sup>3</sup>					
	73 7300 LM (50W) 186LM/W	B Bread color					
	85 8500 LM (60W) 184LM/W	M Meat color					
	97 9700 LM (70W) 182LM/W						
	105 10500 LM (80W) 179LM/W						
	CUSTOM LUMEN OUTPUT AVAILABLE						

ACCESSORIES <i>Order as separate part number.</i>	
PG	Protection Glass (glass or plexi)
LS	Lens
CA	Custom adapter to cover between opening and trim.
EM	Emergency batteries. 90min illumination time. Only available with 23W / 2600lm option.

DELIVERED LUMEN															
CCT OPTION	2700K	2700K	2700K	3000K	3000K	3000K	3500K	3500K	3500K	4000K	4000K	4000K	Bread	Meat	Fish
CRI OPTION	80	90	97	80/A	90	97	84	90	A/80	84	90	A/80	80	80	80
MULTIPLIER	.93	.77	.67	.96	.96	.71	1	1	.78	1.0	1	.83	.86	.53	1

DIMENSIONS

ON LIGHT CHEAT SHEET :



\*1 Driver per trim

Weight trim: 3.7 lb (1.7 kg) Height in ceiling : 5 5/8" + 3" min clearance  
 Weight driver : 1.8 lb (0.8kg) Ceiling opening: 7"

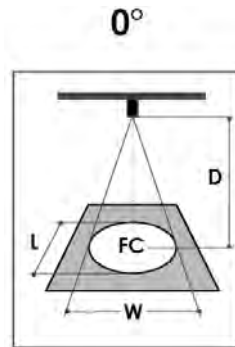
- Nominal Efficacy : up to 196 lm/W
- Reported Life : 50'000 hrs. in accordance with IESNA TM-21-11.
- 3-Step MacAdam ellipse color consistency for clean and uniform lighting.
- Photometry conducted by independant NVLAP (National Voluntary Laboratory Accreditation Program) accredited testing laboratory in accordance with IESNA LM-79-08.
- Lumen maintenance for LED's tested by LED chip manufacturer in accordance with IESNA LM80-08.
- 5-year warranty on LED light engine, driver and all lighting fixture components.
- Die-cast aluminum housing construction. Double gimbal trim pivotable on 2 axis up to 38°
- Max settable driver output : 25W driver (14-25W), 50W driver (34-50W), 60W driver, 100W driver (40-80W)
- Retrofit installation mechanism / Tool-less interchangeable reflector and accessories assembly system.
- Emergency batteries 90min illumination. 3 Year warranty on emergency batteries system.

Last update 2021 2022-07-27

Due to continuous improvements, the information herein may be changed without notice



**CARDA** 7" LED DOWNLIGHT FIXTURE



**CONE OF LIGHT DIAGRAM**

(diameter shown is where fc is half the fc at nadir)

Product Family	Beam Spread	CBCP cd	D ft	FC ft	L ft	W ft	Product Family	Beam Spread	CBCP cd	D ft	FC ft	L ft	W ft
Power 7300 lumen 3500K 84 CRI	15° (Spot)	26792	10	267.9	4.0	4.0	Power 7300 lumen 3500K 84 CRI	36° (Flood)	17615	10	176.2	5.6	5.6
			12	186.1	4.8	4.8				12	122.3	6.7	6.7
			14	136.7	5.6	5.6				14	89.9	7.9	7.9
			16	104.7	6.4	6.4				16	68.8	9.0	9.0
			18	82.7	7.2	7.2				18	54.4	10.1	10.1
			20	67.0	8.0	8.0			17615	20	44.0	11.2	11.2
Power 7300 lumen 3500K 84 CRI	24° (Narrow Flood)	19334	10	193.3	5.2	5.2	Power 7300 lumen 3500K 84 CRI	60° (Wide Flood)	9008	10	90.1	8.1	8.1
			12	134.3	6.3	6.3				12	62.6	9.8	9.8
			14	98.6	7.3	7.3				14	46.0	11.4	11.4
			16	75.5	8.4	8.4				16	35.2	13.0	13.0
			18	59.7	9.4	9.4				18	27.8	14.6	14.6
			20	48.3	10.4	10.4			9008	20	22.5	16.3	16.3

**TECHNICAL PRODUCT SPECIFICATIONS**

**TRIM HOUSING :** Die-cast aluminum housing construction. Double gimbal trim pivotable on 2 axis up to 38°. EZ Swap Tool-less interchangeable reflector assembly system between all track and downlight products. Trim frame can accommodate ceiling thickness up to 0.79" (20mm).

**OPTICAL SYSTEM :** Tool-less, user-friendly MIRO® pure aluminum optical reflector assembly available in four beam spreads: 15°, 24°, 36° & 60°. Faceted/dimpled reflector ensures clean and uniform beam of light.

**ELECTRICAL ENCLOSURE :** Metal enclosure with Wago electrical terminal block/connector for easy installation.

**LED LIGHT ENGINE :** BRIDGELUX VERO SERIES 2 or 3 SDCM / 2 or 3 Step MacAdam ellipse multi-chip LED cluster Light Engine yields perfect color consistency with clean and uniform beam of light.

**LED DRIVER :** Proprietary LED driver with closed-loop LED Light Engine temperature monitoring & control system for long-life (Prevents LED Light Engine damage caused by overheating). Power factor: > 97% at 120 V. Driver output is Class 2 rated.

**A CLASS COLOR :** Class A is based on human response testing, providing color points with a combined GAI and CRI metric.

**FOOD COLOR :** Ensures accurate food color rendition of meat, bread or fish in food retailers.

**BRIDGELUX CCT :** 1750K, 2000K, 2500K, 2700K, 3000K, 3500K, 4000K, 5000K, 5600K, 5700K, 6500K.

**R9 VALUE** Mini. R9 value for 80 CRI LED is 0. the min. R9 values for 90 LED is 50. the min. R9 value for 97 CRI LED is 93. For Décor series LED, Typical R9 value is 98 to enhance RED's and an R15 value of 97

**COOLING SYSTEM :** COOL<sup>ED</sup> Temperature sensor/Integrated Circuit controlled brushless MagLev® fan which features zero friction without contact between shaft and bearing. Rated acoustic noise: 17 dBA (nearly inaudible). Rated life: 60'000 hrs

**DIMMING** 0-10V dimming option down to 5%, 0.1% dim to off

**CERTIFICATION :** CSA certified to US and Canadian safety standards. Photometrically tested by NVLAP accredited testing laboratory in accordance with IESNA LM-79-08. LED Light Engine tested by LED chip manufacturer in accordance with IESNA LM-80-08. Lighting Facts qualified.

**FINISH :** Roughed textured powder-coated paint finish. Available in RAL 9016 white, RAL 9005 black and RAL 9006 silver. Track adapter/ canopy will match luminaire color.

**WEIGHT :** Trim : 3.7 lb (1.7 kg)

**ENVIRONMENT :** Rated for dry locations only. Applications in damp or wet locations will void warranty.

**REPORTED LIFE :** 50'000 hrs at L77 in accordance with IESNA TM-21-11 (Projecting Long Term Lumen Maintenance of LED Light Sources).

**WARRANTY :** 5-year comprehensive system warranty (LED Light Engine, LED Driver and luminaire parts).

**BACK TO LIFE :** Luminaire can be refurbished with the newest generation of LED and driver.

**INPUT WATTAGE :** Max settable driver output : 25W driver (14-25W), 50W driver (34-50W), 100W driver (40-80W)

**INSTALLATION :** Luminaire is installed as a retrofit.

**MADE IN CANADA :** Luminaires are assembled in Canada, Beloeil.

**GAI :** GAI value 80 @ CRI93



- COOLED** Real-time temperature monitoring and control
- BACK2LIFE** Innovative light fixture refurbish and recycle program
- EZ SWAP** Tool-less interchangeable reflector assembly system
- SHIP2FAST** Fast delivery program

CARDASYSTEM 7''x 7'' LED DOWNLIGHT FIXTURE

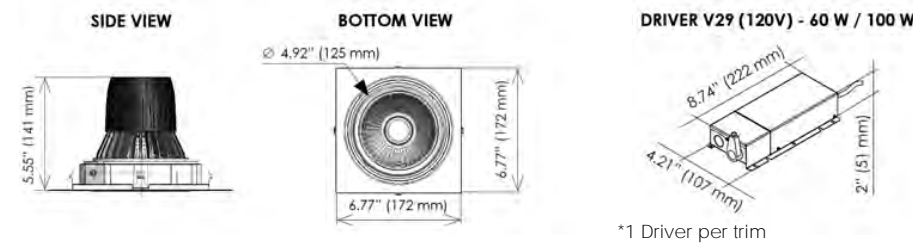


CARDASYSTEM	DELIVERED LUMENS	LED COLOR	CRI	BEAM SPREAD	VOLTAGE	HOUSING COLOR	DIMMING OPTION	FRAME
CARDASYSTEM	20 2000 LM (14W) 196LM/W 25 2500 LM (16W) 194LM/W 30 3000 LM (20W) 192LM/W 35 3500 LM (22W) 190LM/W 40 4000 LM (25W) 188LM/W 50 5100 LM (34W) 173LM/W 60 6100 LM (40W) 188LM/W 73 7300 LM (50W) 186LM/W 85 8500 LM (60W) 184LM/W 97 9700 LM (70W) 182LM/W 105 10500 LM (80W) 179LM/W CUSTOM LUMEN OUTPUT AVAILABLE	27 2700 K 30 3000 K 35 3500 K 40 4000 K 50 5000 K TW1 4000K to 1800K <sup>3</sup> TW2 6500K to 2700K <sup>3</sup> B Bread color M Meat color F Fish color	84 nominal CRI at 3500k 90 90 CRI min. value 97 * (2700k 3000K 5600K) A A Class* * A Class only available with (3000K, 3500K, 4000K)	SP 15° ▲ NFL 24° ▲▲ FL 36° ▲▲▲ WFL 60° ▲▲▲	1 120 V 2 277V 3 347V*	WH RAL 9016 white BK RAL 9005 black SL RAL 9006 silver + Custom color  * housing, trim, fram and cover plate color are available in separate colors	ADIM 0-10V 5% ADIM+ 0-10V 0.1%* DIM0 DIM to off DALI Dalı* DMX DMX* — None *AVILABLE WITH 50W MAX	1S Single square □ 2S Double square □□ 3S Triple square □□□ 4S Quad square □□□□ XS Custom square

ACCESSORIES	
PG	Protection Glass (glass or plexi)
LS	Lens
CA	Custom adapter to cover between opening and trim.
CP	Square cover plate
EM	Emergency batteries. 90min illumination time. Only available with 23W / 2600lm option.

DELIVERED LUMEN															
CCT OPTION	2700K	2700K	2700K	3000K	3000K	3000K	3500K	3500K	3500K	4000K	4000K	4000K	Bread	Meat	Fish
CRI OPTION	80	90	97	80/A	90	97	84	90	A/80	84	90	A/80	80	80	80
MULTIPLIER	.93	.77	.67	.96	.96	.71	1	1	.78	1.0	1	.83	.86	.53	1

DIMENSIONS ON LIGHT CHEAT SHEET :



Weight trim:	3.7 lb (1.7 kg)	Height in ceiling :	5 5/8" + <u>3" min clearance</u>
Weight driver :	1.8 lb (0.8kg)*	Ceiling opening S1:	7" x 7"
Ceiling opening S4:	14" x 14"	Ceiling opening S2:	7" x 14"
		Ceiling opening S3:	7" x 21"

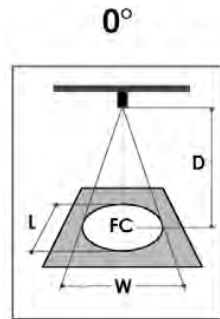
- Nominal Efficacy : up to 196 lm/W
- Reported Life : 50'000 hrs. in accordance with IESNA TM-21-11.
- 3-Step MacAdam ellipse color consistency for clean and uniform lighting.
- Photometry conducted by independant NVLAP (National Voluntary Laboratory Accreditation Program) accredited testing laboratory in accordance with IESNA LM-79-08.
- Lumen maintenance for LED's tested by LED chip manufacturer in accordance with IESNA LM80-08.
- 5-year warranty on LED light engine, driver and all lighting fixture components.
- Die-cast aluminum housing construction. Double gimbal trim pivotable on 2 axis up to 38°
- Max settable driver output : 25W driver (14-25W), 50W driver (34-50W), 60W driver, 100W driver (40-80W)
- Retrofit installation mechanism / Tool-less interchangeable reflector and accessories assembly system.
- Emergency batteries 90min illumination. 3 Year warranty on emergency batteries system.

Last update 7/27/2022 Due to continuous improvements, the information herein may be changed without notice





**CARDA SYSTEM** 7"x7" LED DOWNLIGHT FIXTURE



**CONE OF LIGHT DIAGRAM**

(diameter shown is where fc is half the fc at nadir)

Product Family	Beam Spread	CBCP cd	D ft	FC ft	L ft	W ft	Product Family	Beam Spread	CBCP cd	D ft	FC ft	L ft	W ft
Power 7300 lumen 3500K 84 CRI	15° (Spot)	26792	10	267.9	4.0	4.0	Power 7300 lumen 3500K 84 CRI	36° (Flood)	17615	10	176.2	5.6	5.6
			12	186.1	4.8	4.8				12	122.3	6.7	6.7
			14	136.7	5.6	5.6				14	89.9	7.9	7.9
			16	104.7	6.4	6.4				16	68.8	9.0	9.0
			18	82.7	7.2	7.2				18	54.4	10.1	10.1
20	67.0	8.0	8.0	20	44.0	11.2	11.2						
Power 7300 lumen 3500K 84 CRI	24° (Narrow Flood)	19334	10	193.3	5.2	5.2	Power 7300 lumen 3500K 84 CRI	60° (Wide Flood)	9008	10	90.1	8.1	8.1
			12	134.3	6.3	6.3				12	62.6	9.8	9.8
			14	98.6	7.3	7.3				14	46.0	11.4	11.4
			16	75.5	8.4	8.4				16	35.2	13.0	13.0
			18	59.7	9.4	9.4				18	27.8	14.6	14.6
20	48.3	10.4	10.4	20	22.5	16.3	16.3						

**TECHNICAL PRODUCT SPECIFICATIONS**

<p><b>TRIM HOUSING :</b> De-cast aluminum housing construction. Double gimbal trim pivotable on 2 axis up to 38°. EZ Swap Tool-less interchangeable reflector assembly system between all track and downlight products. Trim frame can accommodate ceiling thickness up to 0.79" (20mm).</p> <p><b>OPTICAL SYSTEM :</b> Tool-less, user-friendly MIRO ® pure aluminum optical reflector assembly available in four beam spreads: 15 °, 24 °, 36 ° &amp; 60 °. Faceted/dimpled reflector ensures clean and uniform beam of light.</p> <p><b>ELECTRICAL ENCLOSURE :</b> Metal enclosure with Wago electrical terminal block/connector for easy installation.</p> <p><b>LED LIGHT ENGINE :</b> BRIDGELUX VERO SERIES 2 or 3 SDCM / 2 or 3 Step MacAdam ellipse multi-chip LED cluster Light Engine yields perfect color consistency with clean and uniform beam of light.</p> <p><b>LED DRIVER :</b> Proprietary LED driver with closed-loop LED Light Engine temperature monitoring &amp; control system for long-life (Prevents LED Light Engine damage caused by overheating). Power factor: &gt; 97 % at 120 V. Driver output is Class 2 rated.</p> <p><b>A CLASS COLOR :</b> Class A is based on human response testing, providing color points with a combined GAI and CRI metric.</p> <p><b>FOOD COLOR :</b> Ensures accurate food color rendition of meat, bread or fish in food retailers.</p> <p><b>BRIDGELUX CCT :</b> 1750K, 2000K, 2500K, 2700K, 3000K, 3500K, 4000K, 5000K, 5600K, 5700K, 6500K.</p> <p><b>R9 VALUE</b> Mini. R9 value for 80 CRI CRI is 0. the min. R9 values for 90 LED is 50. the min. R9 value for 97 CRI LED is 93. For Décor series LED, Typical R9 value is 98 to enhance RED's and an R15 value of 97</p>	<p><b>COOLING SYSTEM :</b> COOL-ED Temperature sensor/Integrated Circuit controlled brushless MagLev® fan which features zero friction without contact between shaft and bearing. Rated acoustic noise: 17 dBA (nearly inaudible). <b>Rated life: 60'000 hrs</b></p> <p><b>DIMMING</b> 0-10V dimming option down to 5%, 0.1% dim to off</p> <p><b>CERTIFICATION :</b> CSA certified to US and Canadian safety standards. Photometrically tested by NVLAP accredited testing laboratory in accordance with IESNA LM-79-08. LED Light Engine tested by LED chip manufacturer in accordance with IESNA LM-80-08. Lighting Facts qualified.</p> <p><b>FINISH :</b> Roughed textured powder-coated paint finish. Available in RAL 9016 white, RAL 9005 black and RAL 9006 silver. Track adapter/ canopy will match luminaire color.</p> <p><b>WEIGHT :</b> Trim : 3.7 lb (1.7 kg)</p> <p><b>ENVIRONMENT :</b> Rated for dry locations only. Applications in damp or wet locations will void warranty.</p> <p><b>REPORTED LIFE :</b> <b>50'000 hrs at L77 in accordance with IESNA TM-21-11</b> (Projecting Long Term Lumen Maintenance of LED Light Sources).</p> <p><b>WARRANTY :</b> 5-year comprehensive system warranty (LED Light Engine, LED Driver and luminaire parts).</p> <p><b>BACK TO LIFE :</b> Luminaire can be refurbished with the newest generation of LED and driver.</p> <p><b>INPUT WATTAGE :</b> Max settable driver output : 25W driver (14-25W), 50W driver (34-50W), 100W driver (40-80W)</p> <p><b>INSTALLATION :</b> Luminaire is installed as a retrofit.</p> <p><b>MADE IN CANADA :</b> Luminaires are assembled in Canada, Beloeil.</p> <p><b>GAI :</b> GAI value 80 @ CRI93</p>
--	--

Last update 7/27/2022

Due to continuous improvements, the information herein may be changed without notice



- COOLE<sup>D</sup> Real-time temperature monitoring and control
- BACK2LIF<sup>E</sup> Innovative light fixture refurbish and recycle program
- EZ SWAP Tool-less interchangeable reflector assembly system
- SHIP2FAST Fast delivery program



NANO E 6" LED ELBOW FIXTURE



BUILD YOUR CODE

PRODUCT	DELIVERED LUMENS	LED COLOR	CRI	BEAM SPREAD	VOLTAGE	HOUSING COLOR	DIMMING OPTION	CONFIGURATION
NANO E	15 1500 LM (15W) <sup>1</sup>	27 2700 K	84 nominal CRI at 3500k	SP 18° ▲	1 120 V	WH RAL 9016 white	ADIM 0-10V 5%	1R Single round ○
	20 2000 LM (20W) <sup>1</sup>	30 3000 K	90 90 CRI min. value	NFL 25° ▲	2 277V	BK RAL 9005 black	ADIM+ 0-10V 0.1%	1S Single square □
	26 2600 LM (23W) <sup>1, STD</sup>	35 3500 K	97 (2700k 3000K 5600K)	FL 35° ▲	3 347V	SL RAL 9006 silver	DALI Dali	2S Double square ◻
	30 3100 LM (30W) <sup>2</sup>	40 4000 K	A A Class*	WFL 45° ▲		+ Custom color	CA Casambi	3S Triple square ◻◻
	40 4100 LM (40W) <sup>2</sup>	TW Tunable white	*A Class only available with (3000K, 3500K, 4000K)				— None	4S Quad square ◻◻◻
	50 5100 LM (49W) <sup>2, STD</sup>	B Bread color						XS Custom square ◻◻◻◻
	Nominal value at 3500K & 84 CRI.	M Meat color						
	F Fish color							
	LT Luxitone (halogen-style)							
	+ All Bridgelux							

ACCESSORIES : <i>Order as separate part number</i>
HCL Honeycomb louver
PG Protection Glass (glass or plexi)
LS Lens
CA Custom adapter between existing ceiling opening and trim
CP Square cover plate
MP Mounting plate
DM Driver mount for ceiling grid
EM Emergency batteries. 90min illumination time. Only available with 23W / 2600lm option.

DELIVERED LUMEN															
CCT OPTION	2700K	2700K	2700K	3000K	3000K	3000K	3500K	3500K	3500K	4000K	4000K	4000K	Bread	Meat	Fish
CRI OPTION	80	90	97	80/A	90	97	84	90	A/80	84	90	A/80	80	80	80
MULTIPLIER	.93	.77	.67	.96	.80	.71	1	.83	.78	1.0	0.86	.83	.86	.53	1

DIMENSIONS ON LIGHT CHEAT SHEET :



Weight trim:	2.6 lb (1.2 kg)	Height in ceiling :	4.2" + <u>3" min clearance</u>
Weight driver :	1.8 lb (0.8kg)	Ceiling opening R1:	6"
Ceiling opening S4:	14" x 14"	Ceiling opening S1:	7" x 7"
Ceiling opening S3:	7" x 21"	Ceiling opening S2:	7" x 14"

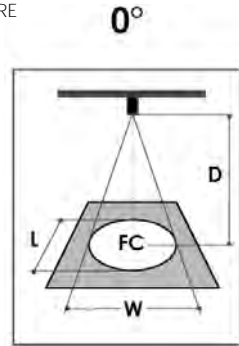
- Nominal Efficacy : up to 107 lm/W
- Reported Life : 50'000 hrs. in accordance with IESNA TM-21-11.
- 3-Step MacAdam ellipse color consistency for clean and uniform lighting.
- Photometry conducted by independant NVLAP (National Voluntary Laboratory Accreditation Program) accredited testing laboratory in accordance with IESNA LM-79-08.
- Lumen maintenance for LED's tested by LED chip manufacturer in accordance with IESNA LM80-08.
- 5-year warranty on LED light engine, driver and all lighting fixture components.
- Die-cast aluminum construction. Single gimbal trim pivotable on 1 axis up to 30° and 350° rotative.
- Max settable driver output : 125W (1500lm-2600lm) / 255W (3000lm-5100lm).
- Retrofit installation mechanism.
- Tool-less interchangeable reflector and accessories assembly system.
- Emergency batteries 90min illumination. 3 Year warranty on emergency batteries system.

Last update 2/9/2021

Due to continuous improvements, the information herein may be changed without notice



NANO E 6" LED ELBOW DOWNLIGHT FIXTURE



CONE OF LIGHT DIAGRAM

(diameter shown is where fc is half the fc at nadir)

Product Family	Beam Spread	CBCP cd	D ft	FC	L ft	W ft	Product Family	Beam Spread	CBCP cd	D ft	FC	L ft	W ft
Nano 5000 lumen 3500K 84 CRI	18° (Spot)	32505	10	325.1	3.0	3.0	Nano 5000 lumen 3500K 84 CRI	35° (Flood)	13816	10	138.2	5.2	5.2
			12	225.7	3.6	3.6				12	95.9	6.3	6.3
			14	165.8	4.2	4.2				14	70.5	7.3	7.3
			16	127.0	4.8	4.8				16	54.0	8.4	8.4
			18	100.3	5.4	5.4				18	42.6	9.4	9.4
20	81.3	6.0	6.0	20	34.5	10.4	10.4						
Nano 5000 lumen 3500K 84 CRI	25° (Narrow Flood)	21618	10	216.2	4.1	4.1	Nano 5000 lumen 3500K 84 CRI	45° (Wide Flood)	8979	10	89.8	7.3	7.3
			12	150.1	4.9	4.9				12	62.4	8.8	8.8
			14	110.3	5.7	5.7				14	45.8	10.3	10.3
			16	84.4	6.5	6.5				16	35.1	11.7	11.7
			18	66.7	7.3	7.3				18	27.7	13.2	13.2
20	54.0	8.1	8.1	20	22.4	14.6	14.6						

TECHNICAL PRODUCT SPECIFICATIONS

<p><b>TRIM HOUSING :</b> De-cast aluminum housing construction. Elbow pivotable trim up to 350° and tiltable down to 80°. EZ Swap Tool-less interchangeable reflector assembly system between all track and downlight products. Trim frame can accommodate ceiling thickness up to 0.79" (20mm).</p> <p><b>OPTICAL SYSTEM :</b> Tool-less, user-friendly MIRO ® pure aluminum optical reflector assembly available in four beam spreads: 18°, 25°, 35° &amp; 45°. Faceted/dimpled reflector ensures clean and uniform beam of light.</p> <p><b>LED LIGHT ENGINE :</b> BRIDGELUX VERO SERIES 2 or 3 SDCM / 2 or 3 Step MacAdam ellipse multi-chip LED cluster Light Engine yields perfect color consistency with clean and uniform beam of light.</p> <p><b>LED DRIVER :</b> Proprietary LED driver with closed-loop LED Light Engine temperature monitoring &amp; control system for long-life (Prevents LED Light Engine damage caused by overheating). Power factor: &gt; 97% at 120 V. Driver output is Class 2 rated.</p> <p><b>A CLASS COLOR :</b> Class A is based on human response testing, providing color points with a combined GAI and CRI metric.</p> <p><b>FOOD COLOR :</b> Ensures accurate food color rendition of meat, bread or fish in food retailers.</p> <p><b>BRIDGELUX CCT :</b> 1750K, 2000K, 2500K, 2700K, 3000K, 3500K, 4000K, 5000K, 5600K, 5700K, 6500K.</p> <p><b>R9 VALUE</b> Mini. R9 value for 80 CRI CRI is 0. the min. R9 values for 90 LED is 50. the min. R9 value for 97 CRI LED is 93. For Décor series LED, Typical R9 value is 98 to enhance RED's and an R15 value of 97</p> <p><b>LUXITUNE</b> Tunable white light engine capable of simulating a halogen-style warm dimming and CCT Tuning in the same product. Warm dim. 3000K to below 1800K. CCT dim. mode: 1800K to 6500K. CRI 90, SDCM 2 at 3000K. Available</p>	<p><b>COOLING SYSTEM :</b> COOLLED Temperature sensor/Integrated Circuit controlled brushless MagLev® fan which features zero friction without contact between shaft and bearing. Rated acoustic noise: 17 dBA (nearly inaudible). Rated life: 60'000 hrs</p> <p><b>CASAMBI</b> Bluetooth dimming or CCT control via free Casambi app for Android and Apple</p> <p><b>DIMMING</b> Dimming option down to 5%, 0.1%.</p> <p><b>CERTIFICATION :</b> CSA certified to US and Canadian safety standards. Photometrically tested by NVLAP accredited testing laboratory in accordance with IESNA LM-79-08. LED Light Engine tested by LED chip manufacturer in accordance with IESNA LM-80-08. Lighting Facts qualified.</p> <p><b>FINISH :</b> Roughed textured powder-coated paint finish. Available in RAL 9016 white, RAL 9005 black and RAL 9006 silver. Track adapter/ canopy will match luminaire color.</p> <p><b>WEIGHT :</b> Trim : 2.6 lb (1.2 kg)</p> <p><b>POWER ENCLOSUER</b> Metal enclosure with Wago electrical terminal block/connector for easy installation.</p> <p><b>ENVIRONMENT :</b> Rated for dry locations only. Applications in damp or wet locations will void warranty.</p> <p><b>REPORTED LIFE :</b> 50'000 hrs at L77 in accordance with IESNA TM-21-11 (Projecting Long Term Lumen Maintenance of LED Light Sources).</p> <p><b>WARRANTY :</b> 5-year comprehensive system warranty (LED Light Engine, LED Driver and luminaire parts).</p> <p><b>BACK TO LIFE :</b> Luminaire can be refurbished with the newest generation of LED and driver.</p> <p><b>INPUT WATTAGE :</b> Max settable driver output : 25W(1500lm-2600lm) / 55W(3100lm-5100lm).</p> <p><b>MADE IN CANADA :</b> Luminaires are assembled in Canada, Beloeil.</p> <p><b>GAI</b> GAI value 80 @ CRI93</p>	<p>Due to continuous improvements, the information herein may be changed without notice</p>
--	--	---



- COOLED Real-time temperature monitoring and control
- BACK2LIFE Innovative light fixture refurbish and recycle program
- EZ SWAP Tool-less interchangeable reflector assembly system
- SHIP2FAST Fast delivery program

NANO R 6" LED DOWNLIGHT FIXTURE



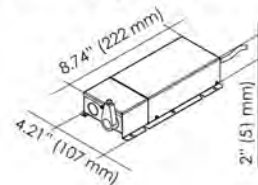
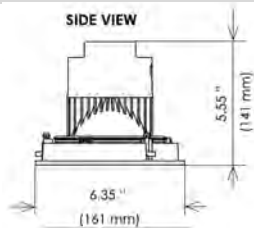
BUILD YOUR CODE

NANO E	PRODUCT	DELIVERED LUMENS	LED COLOR	CRI	BEAM SPREAD	VOLTAGE	HOUSING COLOR	DIMMING OPTION	CONFIGURATION
NANO R	15	1500 LM (15W) <sup>1</sup>	27 2700 K	84 nominal CRI at 3500k	SP 18° ▲	1 120 V	WH RAL 9016 white	ADIM 0-10V 5%	1R Single round ○
	20	2000 LM (20W) <sup>1</sup>	30 3000 K	90 90 CRI min. value	NFL 25° ▲▲	2 277V	BK RAL 9005 black	ADIM+ 0-10V 0.1%	1S Single square □
	26	2600 LM (23W) <sup>1, STD</sup>	35 3500 K	97 *(2700k 3000K 5600K)	FL 35° ▲▲▲	3 347V	SL RAL 9006 silver	DALI Dali	2S Double square □□
	30	3100 LM (30W) <sup>2</sup>	40 4000 K	A A Class*	WFL 45° ▲▲▲		+ Custom color	CA Casambi	3S Triple square □□□
	40	4100 LM (40W) <sup>2</sup>	TW Tunable white	* A Class only available with (3000K, 3500K, 4000K)				- None	4S Quad square □□□□
	50	5100 LM (49W) <sup>2, STD</sup>	B Bread color				* housing, trim, fram and cover plate color are available in sperate colors		XS Custom square
		Nominal value at 3500K & 84 CRI.	M Meat color						
			F Fish color						
			LT Luxitune (halogen-style)						
			+ All Bridgelux CCT						

ACCESSORIES : Order as separate part number
HCL Honeycomb louver
PG Protection Glass (glass or plexi)
LS Lens
CA Custom adapter between existing ceiling opening and trim
CP Square cover plate
MP Mounting plate
DM Driver mount for ceiling grid
EM Emergency batteries. 90min illumination time. Only available with 25W / 2600lm option.

DELIVERED LUMEN															
CCT OPTION	2700K	2700K	2700K	3000K	3000K	3000K	3500K	3500K	3500K	4000K	4000K	4000K	Bread	Meat	Fish
CRI OPTION	80	90	97	80/A	90	97	84	90	A/80	84	90	A/80	80	80	80
MULTIPLIER	.93	.77	.67	.96	.80	.71	1	.83	.78	1.0	0.86	.83	.86	.53	1

DIMENSIONS



Weight trim:	2.6 lb (1.2 kg)	Height in ceiling :	4.2" + <u>3" min clearance</u>
Weight driver :	1.8 lb (0.8kg)	Ceiling opening R1:	6"
Ceiling opening S4:	14" x 14"	Ceiling opening S1:	7" x 7"
Ceiling opening S3:	7" x 21"	Ceiling opening S2:	7" x 14"

Last update 2/9/2021

ON LIGHT CHEAT SHEET :

- Nominal Efficacy : up to 107 lm/W
- Reported Life : 50'000 hrs. in accordance with IESNA TM-21-11.
- 3-Step MacAdam ellipse color consistency for clean and uniform lighting.
- Photometry conducted by independant NVLAP (National Voluntary Laboratory Accreditation Program) accredited testing laboratory in accordance with IESNA LM-79-08.
- Lumen maintenance for LED's tested by LED chip manufacturer in accordance with IESNA LM80-08.
- 5-year warranty on LED light engine, driver and all lighting fixture components.
- Die-cast aluminum construction. Single gimbal trim pivotable on 1 axis up to 30° and 350° rotative.
- Max settable driver output : 125W (1500lm-2600lm) / 255W (3000lm-5100lm).
- Tool-less interchangeable reflector and accessories assembly system
- Retrofit installation mechanism.
- Emergency batteries 90min illumination. 3 Year warranty on emergency batteries system.

Due to continuous improvements, the information herein may be changed without notice

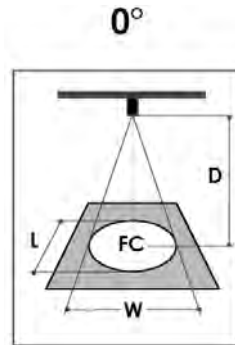




CONE OF LIGHT DIAGRAM

(diameter shown is where fc is half the fc at nadir)

NANO R 6" LED DOWNLIGHT FIXTURE



Product Family	Beam Spread	CBCP cd	D ft	FC ft	L ft	W ft	Product Family	Beam Spread	CBCP cd	D ft	FC ft	L ft	W ft
Nano 5000 lumen 3500K 84 CRI	18° (Spot)	32505	10	325.1	3.0	3.0	Nano 5000 lumen 3500K 84 CRI	35° (Flood)	13816	10	138.2	5.2	5.2
			12	225.7	3.6	3.6				12	95.9	6.3	6.3
			14	165.8	4.2	4.2				14	70.5	7.3	7.3
			16	127.0	4.8	4.8				16	54.0	8.4	8.4
			18	100.3	5.4	5.4				18	42.6	9.4	9.4
	20	81.3	6.0	6.0		20	34.5	10.4	10.4				
Nano 5000 lumen 3500K 84 CRI	25° (Narrow Flood)	21618	10	216.2	4.1	4.1	Nano 5000 lumen 3500K 84 CRI	45° (Wide Flood)	8979	10	89.8	7.3	7.3
			12	150.1	4.9	4.9				12	62.4	8.8	8.8
			14	110.3	5.7	5.7				14	45.8	10.3	10.3
			16	84.4	6.5	6.5				16	35.1	11.7	11.7
			18	66.7	7.3	7.3				18	27.7	13.2	13.2
	20	54.0	8.1	8.1		20	22.4	14.6	14.6				

TECHNICAL PRODUCT SPECIFICATIONS

<p><b>TRIM HOUSING :</b> De-cast aluminum housing construction. Pivotal trim up to 350° and can be pivoted on 1 axis up to 38°. EZ Swap Tool-less interchangeable reflector assembly system between all track and downlight products. Trim frame can accommodate ceiling thickness up to 0.79" (20mm).</p> <p><b>OPTICAL SYSTEM :</b> Tool-less, user-friendly MIRO ® pure aluminum optical reflector assembly available in four beam spreads: 18°, 25°, 35° &amp; 45°. Faceted/dimpled reflector ensures clean and uniform beam of light.</p> <p><b>LED LIGHT ENGINE :</b> BRIDGELUX VERO SERIES 2 or 3 SDCM / 2 or 3 Step MacAdam ellipse multi-chip LED cluster Light Engine yields perfect color consistency with clean and uniform beam of light.</p> <p><b>LED DRIVER :</b> Proprietary LED driver with closed-loop LED Light Engine temperature monitoring &amp; control system for long-life (Prevents LED Light Engine damage caused by overheating). Power factor: &gt; 97% at 120 V. Driver output is Class 2 rated.</p> <p><b>A CLASS COLOR :</b> Class A is based on human response testing, providing color points with a combined GAI and CRI metric.</p> <p><b>FOOD COLOR :</b> Ensures accurate food color rendition of meat, bread or fish in food retailers.</p> <p><b>BRIDGELUX CCT :</b> 1750K, 2000K, 2500K, 2700K, 3000K, 3500K, 4000K, 5000K, 5600K, 5700K, 6500K.</p> <p><b>R9 VALUE</b> Mini. R9 value for 80 CRI CRI is 0. the min. R9 values for 90 LED is 50. the min. R9 value for 97 CRI LED is 93. For Décor series LED, Typical R9 value is 98 to enhance RED's and an R15 value of 97</p> <p><b>LUXITUNE</b> Tunable white light engine capable of simulating a halogen-style warm dimming and CCT Tuning in the same product. Warm dim. 3000K to below 1800K. CCT dim. mode: 1800K to 6500K. CRI 90, SDCM 2 at 3000K. Available</p>	<p><b>COOLING SYSTEM :</b> COOL-ED Temperature sensor/Integrated Circuit controlled brushless MagLev® fan which features zero friction without contact between shaft and bearing. Rated acoustic noise: 17 dBA (nearly inaudible). Rated life: 60'000 hrs</p> <p><b>CASAMBI</b> Bluetooth dimming or CCT control via free Casambi app for Android and Apple</p> <p><b>DIMMING</b> Dimming option down to 5% or 0.1%.</p> <p><b>CERTIFICATION :</b> CSA certified to US and Canadian safety standards. Photometrically tested by NVLAP accredited testing laboratory in accordance with IESNA LM-79-08. LED Light Engine tested by LED chip manufacturer in accordance with IESNA LM-80-08. Lighting Facts qualified.</p> <p><b>FINISH :</b> Roughed textured powder-coated paint finish. Available in RAL 9016 white, RAL 9005 black and RAL 9006 silver. Track adapter/ canopy will match luminaire color.</p> <p><b>WEIGHT :</b> Trim : 2.6 lb (1.2 kg)</p> <p><b>INPUT POWER</b> Max settable driver output : 25W(1500lm-2600lm) / 55W(3100lm-5100lm).</p> <p><b>POWER INCLOSURE</b> Metal enclosure with Wago electrical terminal block/connector for easy installation.</p> <p><b>ENVIRONMENT :</b> Rated for dry locations only. Applications in damp or wet locations will void warranty.</p> <p><b>REPORTED LIFE :</b> 50'000 hrs at L77 in accordance with IESNA TM-21-11 (Projecting Long Term Lumen Maintenance of LED Light Sources).</p> <p><b>WARRANTY :</b> 5-year comprehensive system warranty (LED Light Engine, LED Driver and luminaire parts).</p> <p><b>BACK TO LIFE :</b> Luminaire can be refurbished with the newest generation of LED and driver.</p> <p><b>MADE IN CANADA :</b> Luminaires are assembled in Canada, Beloeil.</p> <p><b>GAI</b> GAI value 80 @ CRI93</p>	<p>Due to continuous improvements, the information herein may be changed without notice</p>
--	--	---



**SWAP** Tool-less interchangeable reflector assembly system  
**SHIP2FAST** Fast delivery program

**ansorg**



MADE IN

ON LIGHT

Punta PSR 5" LED ELBOW DOWNLIGHT FIXTURE

BUILD YOUR CODE

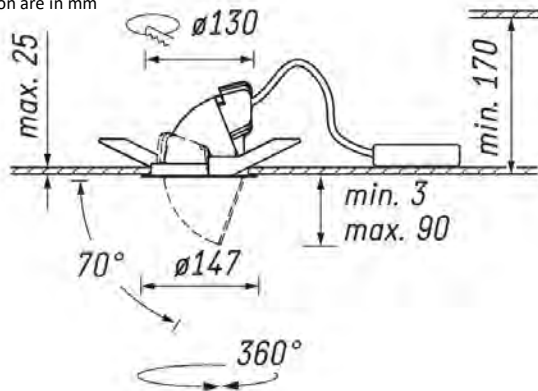
PSR	LUMENS		LED COLOR		CRI	BEAM SPREAD		VOLTAGE	HOUSING COLOR		DIMMING OPTION
PSR	10	1000 LM (9.5W)	27	2700 K	90 90 CRI (standard)	SP	20°	1 120V	WH	RAL 9016 white	ADIM 0-10V 5%
	12	1200 LM (11W)	30	3000 K	97 *(2700k 3000K 5600K)	MFL	23°	2 277V	BK	RAL 9005 black	DALI Dalı*
	16	1600 LM (13.2W)	35	3500 K	84 80 CRI +	FL	37°	3 347V	+	Custom color	LVD Line voltage* dimme
	20	2000 LM (14W) 196LM/W	40	4000 K		WFL	54°				— None
	25	2500 LM (16W) 194LM/W									*not available with 347V
	30	3000 LM (20W) 192LM/W									
	35	3500 LM (22W) 190LM/W									
	40	4000 LM (25W) 185LM/W									

ACCESSORIES : Order as separate part number.	
HC	Honeycomb louver
PG	Protection Glass (glass or plexi)
LS	Lens
CA	Custom adapter between ceiling opening and trim.
MP	Mounting plate

DIMENSIONS

ON LIGHT CHEAT SHEET :

\*dimension are in mm



- Nominal Efficacy : up to 194 lm/W
- 3-Step MacAdam ellipse color consistency for clean and uniform lighting.
- Failure rate C0/B10 : 50 000h ta 25°C Lumen maintenance L80/B10 : 50 000h ta 25°C
- Luminaire can be refurbished with newest available LED & driver, new 5 year warranty.
- Input class 2: 120V. Max settable intrack driver output :25W / 0.24A
- Lumen maintenance for LED's tested by LED chip manufacturer in accordance with IESNA LM80-08.
- 5-year warranty on LED light engine, driver and all lighting fixture components. 15 year Lifetime.
- Tool-less interchangeable reflector and accessories assembly system. Pure aluminum reflector.
- Installation for dry location only : IP20
- Retrofit installation
- ETL certified to US and Canadian safety standards.
- Assembled in Beloeil, QC, Canada

Weight trim: 1.6 lb (0.72 kg)      Height in ceiling : 6.69" min clearance  
 Weight driver: 1.2 lb (0.6kg)      Ceiling opening: 5-1/8" (130mm)

DELIVERED LUMEN <small>Nominal value at 3500K &amp; 84 CRI</small>											
CCT OPTION	2700K	2700K	2700K	3000K	3000K	3500K	3500K	4000K	Bread	Meat	Fish
CRI OPTION	80	90	97	90	97	90	A/80	90	80	80	80
MULTIPLIER	.93	.77	.67	.96	.71	1	.78	1.0	.86	.53	1

Last update 11/24/2022

Due to continuous improvements, the information herein may be changed without notice



Punta PSR 5" LED ELBOW DOWNLIGHT FIXTURE

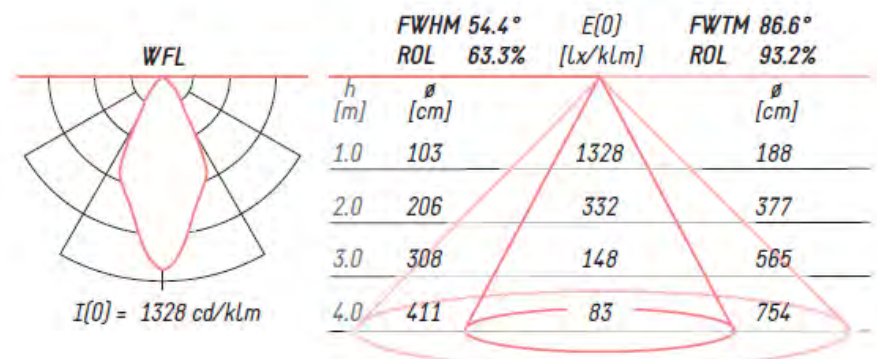
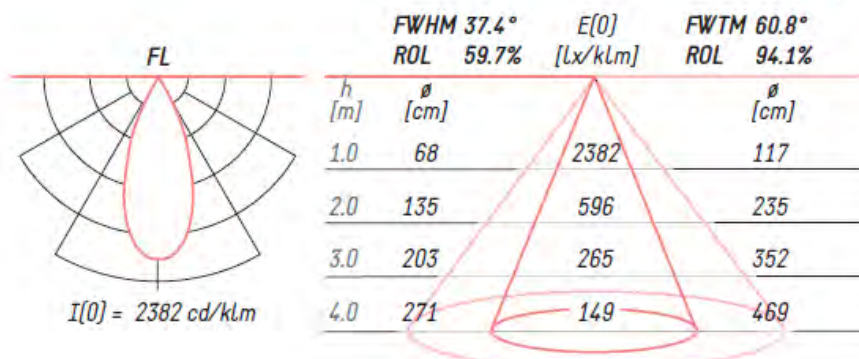
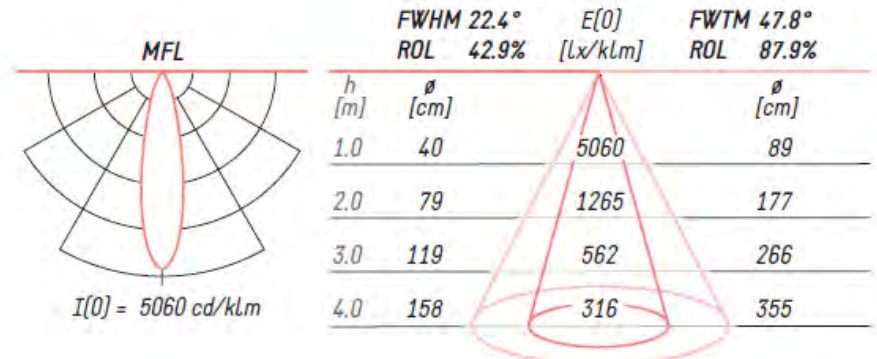
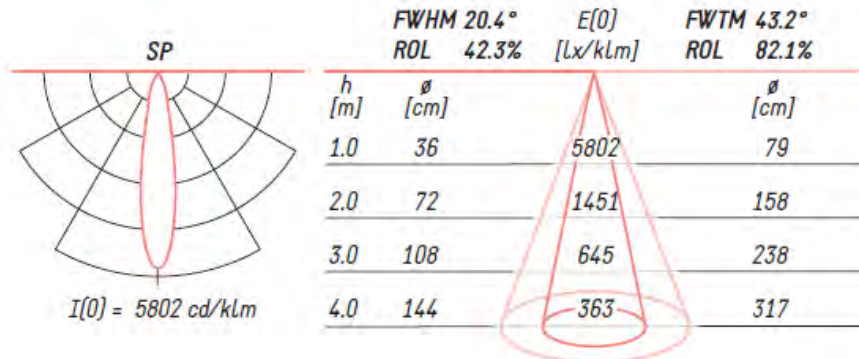
ansorg

ON LIGHT



100% recyclable,  
no composites,  
easy separation.

Light distribution with reflector





**Z SWAP** Tool-less interchangeable reflector assembly system  
**SHIP2FAST** Fast delivery program

**ansorg**



MADE IN

ON LIGHT

Punta PXR 4" LED ELBOW DOWNLIGHT FIXTURE

BUILD YOUR CODE

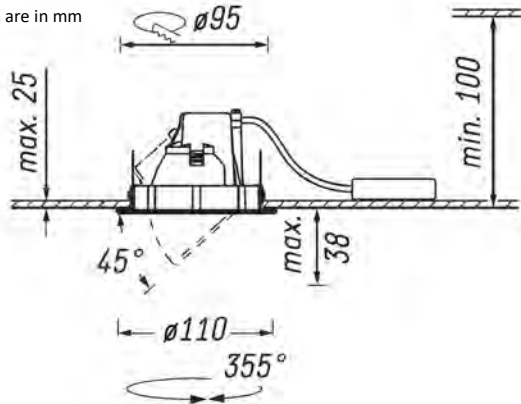
PRODUCT	LUMENS	LED COLOR	CRI	BEAM SPREAD	VOLTAGE	HOUSING COLOR	DIMMING OPTION
PXR	12 1200 LM (8.1W)189LM/W	27 2700 K	84 nominal CRI at 3500k	SP 20°	1 120V	WH RAL 9016 white	ADIM 0-10V 5%
	15 1500 LM (9.9W)186LM/W	30 3000 K	90 90 CRI min. value	MFL 23°	2 277V	BK RAL 9005 black	DALI Dali
	18 1800 LM (12W) 184LM/W	35 3500 K	97 *(2700k 3000K 5600K)	FL 37°		SL RAL 9006 silver	TRIAC Triac dim.
	20 2100 LM (14.3W)182LM/W	40 4000 K				+ Custom color	— None

ACCESSORIES : Order as separate part number.	
HC	Honeycomb louver
PG	Protection Glass (glass or plexi)
LS	Lens
CA	Custom adapter between ceiling opening and trim.

DIMENSIONS

ON LIGHT CHEAT SHEET :

\*dimension are in mm



- Nominal Efficacy : up to 182 lm/W
- 3-Step MacAdam ellipse color consistency for clean and uniform lighting.
- Failure rate C0/B10 : 50 000h ta 25°C Lumen maintenance L80/B10 :50 000h ta 25°C
- Luminaire can be refurbished with newest available LED & driver, new 5 year warranty.
- Input class 2: 120V. Max settable intrack driver output :15W / 0.14A
- Lumen maintenance for LED's tested by LED chip manufacturer in accordance with IESNA LM80-08.
- 5-year warranty on LED light engine, driver and all lighting fixture components. 15 year Lifetime.
- Tool-less interchangeable reflector and accessories assembly system. Pure aluminum reflector.
- Installation for dry location only : IP20
- Retrofit installation
- ETL certified to US and Canadian safety standards.
- Assembled in Beloeil, QC, Canada

Weight trim: 1.1 lb (0.5 kg)      Height in ceiling :4" min clearance  
 Weight driver: 1.2 lb (0.6kg)      Ceiling opening: 3-3/4" - 4" (95-100mm)

DELIVERED LUMEN Nominal value at 3500K & 84 CRI															
CCT OPTION	2700K	2700K	2700K	3000K	3000K	3000K	3500K	3500K	3500K	4000K	4000K	4000K	Bread	Meat	Fish
CRI OPTION	80	90	97	80/A	90	97	84	90	A/80	84	90	A/80	80	80	80
MULTIPLIER	.93	.77	.67	.96	.80	.71	1	.83	.78	1.0	0.86	.83	.86	.53	1

Last update 8/24/2022

Due to continuous improvements, the information herein may be changed without notice





Punta PXR 4" LED ELBOW DOWNLIGHT FIXTURE

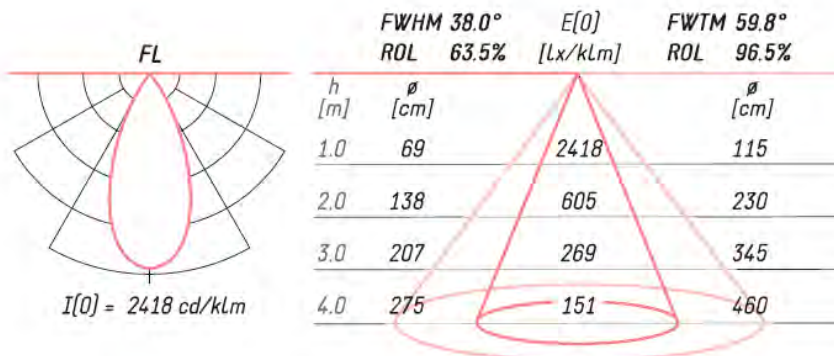
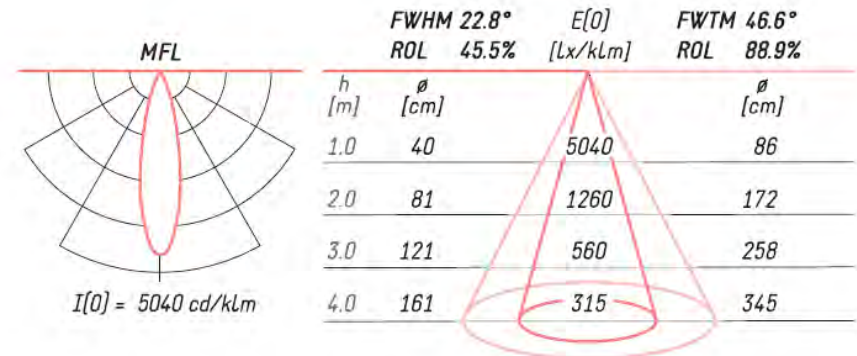
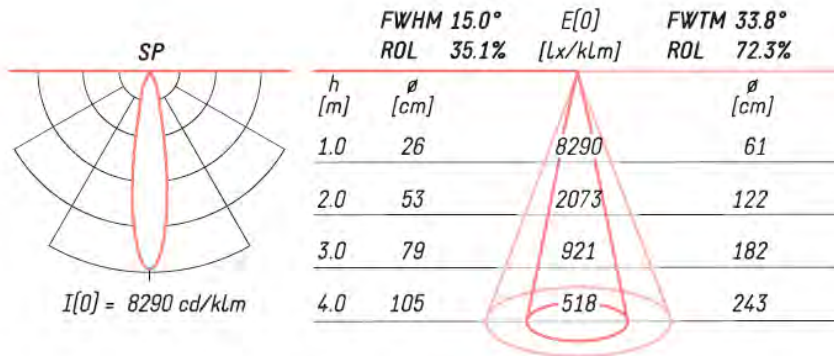
ansorg

ON LIGHT



100% recyclable,  
no composites,  
easy separation.

Light distribution with reflector







**Z SWAP** Tool-less interchangeable reflector assembly system  
**SHIP2FAST** Fast delivery program

**ansorg**

ON LIGHT

MAXX MMD 6-3/4" LED DOWNLIGHT FIXTURE

BUILD YOUR CODE

MMD	LUMENS		LED COLOR		CRI	BEAM SPREAD		VOLTAGE		HOUSING COLOR		DIMMING OPTION
MMD	15	1500 LM (14W)	27	2700 K	84	FL	37°	1	120V	WH	RAL 9016 white	ADIM 0-10V 5%
	20	2000 LM (19W)	30	3000 K	90	WFL	55°	2	277V	BK	RAL 9005 black	DALI Dali
	25	2500 LM (22W)	35	3500 K		VWFL	55°			SL	RAL 9006 silver	TRIAC Triac dim.
	30	3100 LM (25W)	40	4000 K						+	Custom color	Line voltage dim.
	35	3500 LM (28W)										— None
	40	3100 LM (30W)										*Bluetooth control via Ca-sambi app
	45	4500 LM (35W)										
	50	5000 LM (40W)										

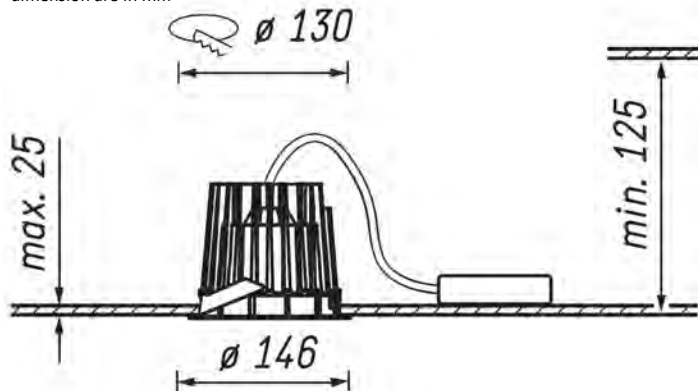


ACCESSORIES : Order as separate part number.	
HC	Honeycomb louver
PG	Protection Glass (glass or plexi)
LS	Lens
CA	Custom adapter between ceiling opening and trim.

DIMENSIONS

ON LIGHT CHEAT SHEET :

\*dimension are in mm



- Nominal Efficacy : up to 143 lm/W
- 3-Step MacAdam ellipse color consistency for clean and uniform lighting.
- Lumen maintenance L80/B10 : 50 000h ta 25°C
- Failure rate C0/B10 : 50 000h ta 25°C
- Input class 2: 120V. Max settable intrack driver output :140W / 0.36A
- Lumen maintenance for LED's tested by LED chip manufacturer in accordance with IESNA LM80-08.
- 5-year warranty on LED light engine, driver and all lighting fixture components.
- Tool-less interchangeable reflector and accessories assembly system. Pure aluminum reflector.
- Installation for dry location only : IP20
- Retrofit installation
- Assembled in Beloeil, QC, Canada

Weight trim: 0.8 lb (0.4 kg)      Height in ceiling : 4" min clearance  
 Weight driver: 1.2 lb (0.6kg)      Ceiling opening: 5-1/8" - 5-1/4" (130mm)

DELIVERED LUMEN <small>Nominal value at 3500K &amp; 84 CRI</small>															
CCT OPTION	2700K	2700K	2700K	3000K	3000K	3000K	3500K	3500K	3500K	4000K	4000K	4000K	Bread	Meat	Fish
CRI OPTION	80	90	97	80/A	90	97	84	90	A/80	84	90	A/80	80	80	80
MULTIPLIER	.93	.77	.67	.96	.80	.71	1	.83	.78	1.0	0.86	.83	.86	.53	1

Last update 1/24/2022

Due to continuous improvements, the information herein may be changed without notice

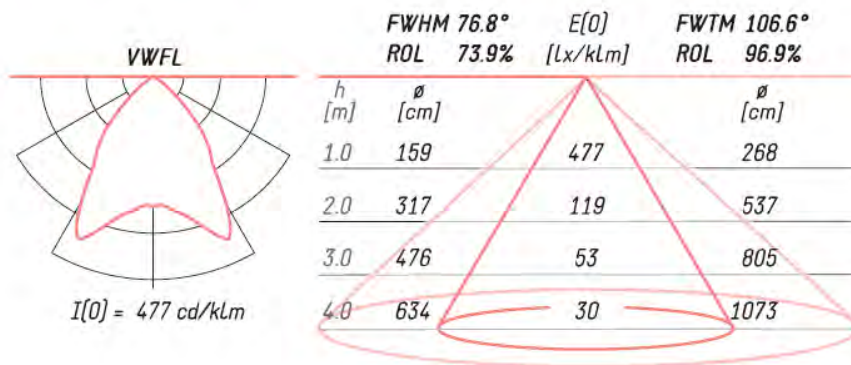
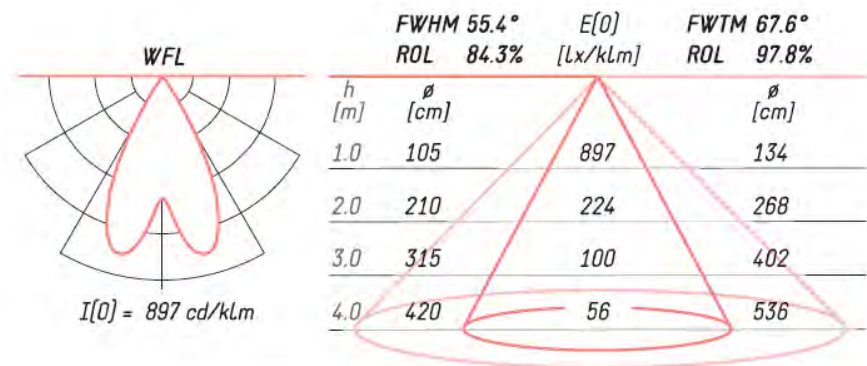
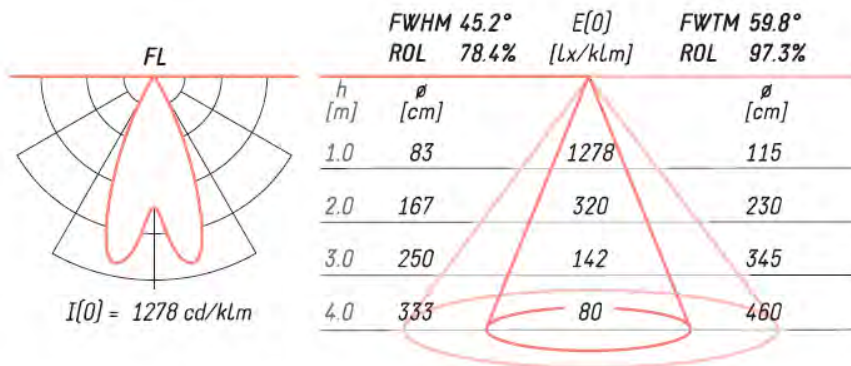


ansorg

ON LIGHT

MAXX MMD 6-3/4" LED DOWNLIGHT FIXTURE

Light distribution with reflector





**Z SWAP** Tool-less interchangeable reflector assembly system  
**SHIP2FAST** Fast delivery program

**ansorg**

ON LIGHT

MAXX MSD 4" LED DOWNLIGHT FIXTURE

BUILD YOUR CODE

MSD	LUMENS		LED COLOR		CRI	BEAM SPREAD		VOLTAGE		HOUSING COLOR		DIMMING OPTION
MSD	20	2000 LM (14W)196LM/W	27	2700 K	84	FL	37°	1	120V	WH	RAL 9016 white	ADIM 0-10V 5%
	25	2500 LM (16W) 194LM/W	30	3000 K	90	WFL	55°	2	277V	BK	RAL 9005 black	DALI Dali
	30	3000 LM (20W) 192LM/W	35	3500 K		VWFL	55°			SL	RAL 9006 silver	TRIAC Triac dim.
	35	3500 LM (22W) 190LM/W	40	4000 K						+	Custom color	Line voltage dim.
												— None *Bluetooth control via Ca-sambi app



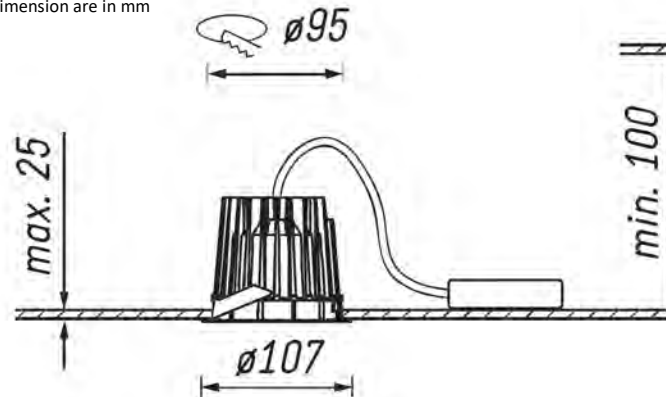
**ACCESSORIES : Order as separate part number.**

HC	Honeycomb louver
PG	Protection Glass (glass or plexi)
LS	Lens
CA	Custom adapter between ceiling opening and trim.

DIMENSIONS

ON LIGHT CHEAT SHEET :

\*dimension are in mm



- Nominal Efficacy : up to 196 lm/W
- 3-Step MacAdam ellipse color consistency for clean and uniform lighting.
- Failure rate C0/B10 : 50 000h ta 25°C/Lumen maintenance L80/B10 :50 000h ta 25°C
- Luminaire can be refurbished with newest available LED & driver, new 5 year warranty.
- Input class 2: 120V. Max settable intrack driver output :25W / 0.24A
- Lumen maintenance for LED's tested by LED chip manufacturer in accordance with IESNA LM80-08.
- 5-year warranty on LED light engine, driver and all lighting fixture components. 15 year Lifetime.
- Tool-less interchangeable reflector and accessories assembly system. Pure aluminum reflector.
- Installation for dry location only : IP20
- Retrofit installation
- ETL certified to US and Canadian safety standards.
- Assembled in Beloeil, QC, Canada

Weight trim: 1.1 lb (0.5 kg)      Height in ceiling :4" min clearance  
 Weight driver: 1.2 lb (0.6kg)      Ceiling opening: 3-3/4" - 4" (95-100mm)

DELIVERED LUMEN <small>Nominal value at 3500K &amp; 84 CRI</small>															
CCT OPTION	2700K	2700K	2700K	3000K	3000K	3000K	3500K	3500K	3500K	4000K	4000K	4000K	Bread	Meat	Fish
CRI OPTION	80	90	97	80/A	90	97	84	90	A/80	84	90	A/80	80	80	80
MULTIPLIER	.93	.77	.67	.96	.80	.71	1	.83	.78	1.0	0.86	.83	.86	.53	1

Last update 8/24/2022

Due to continuous improvements, the information herein may be changed without notice

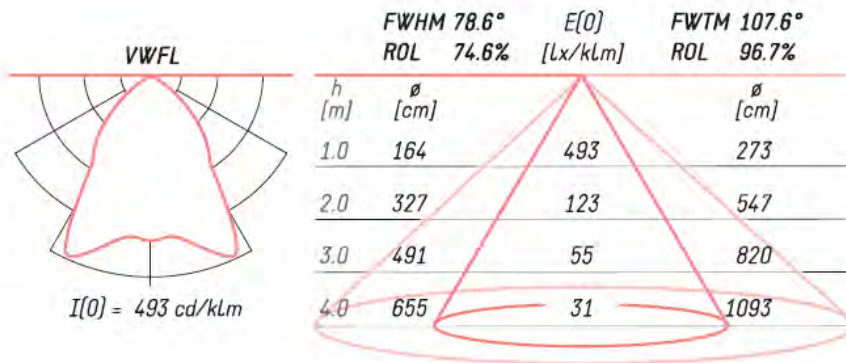
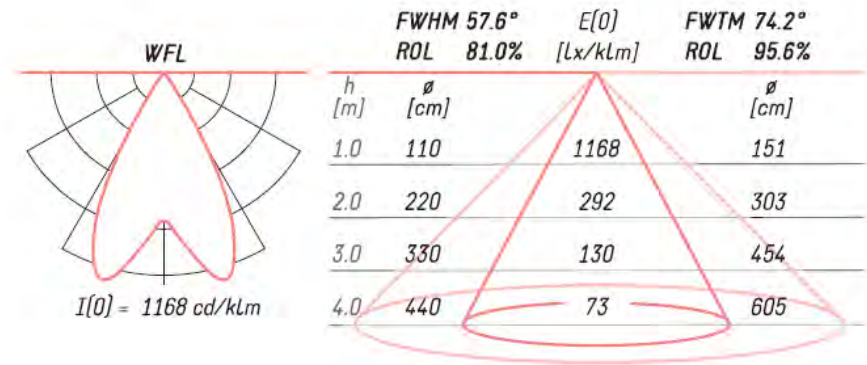
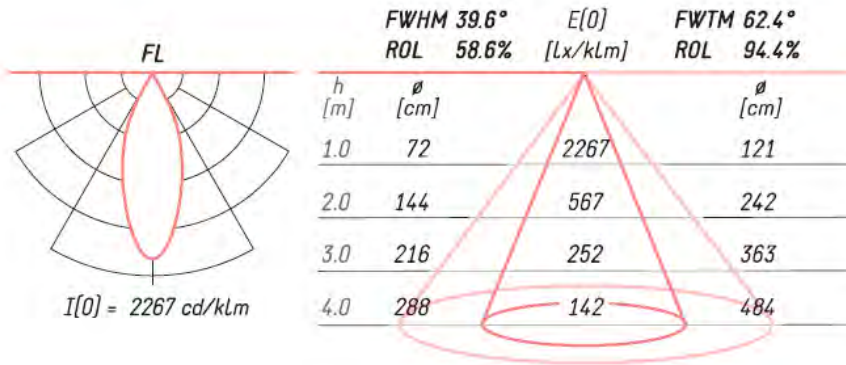


**ansorg**

ON LIGHT

MAXX MSD 4" LED DOWNLIGHT FIXTURE

Light distribution with reflector





**Z SWAP** Tool-less interchangeable reflector assembly system  
**SHIP2FAST** Fast delivery program

**ansorg**



MADE IN

ON LIGHT

MAXX MXD 4" LED DOWNLIGHT FIXTURE

BUILD YOUR CODE

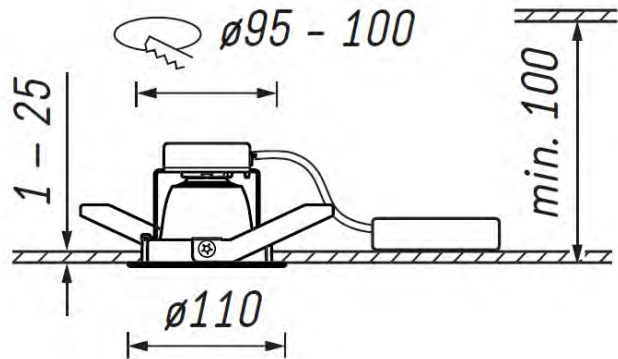
MXD												
PRODUCT	LUMENS	LED COLOR		CRI	BEAM SPREAD		VOLTAGE		HOUSING COLOR		DIMMING OPTION	
MXD	12 1200 LM (8.1W)189LM/W	27	2700 K	84	nominal CRI at 3500k		SP 20°	1	120V	WH	RAL 9016 white	ADIM 0-10V 5%
	15 1500 LM (9.9W)186LM/W	30	3000 K	90	90 CRI min. value		MFL 23°	2	277V	BK	RAL 9005 black	DALI Dali
	18 1800 LM (12W) 184LM/W	35	3500 K				FL 37°			SL	RAL 9006 silver	TRIAC Triac dim.
		40	4000 K				WFL 55°			+	Custom color	— None
							VWFL 55°					

ACCESSORIES : Order as separate part number.	
HC	Honeycomb louver
PG	Protection Glass (glass or plexi)
LS	Lens
CA	Custom adapter between ceiling opening and trim.

DIMENSIONS

ON LIGHT CHEAT SHEET :

\*dimension are in mm



- Nominal Efficacy : up to 186 lm/W
- 3-Step MacAdam ellipse color consistency for clean and uniform lighting.
- Failure rate C0/B10 : 50 000h ta 25°C/Lumen maintenance L80/B10 :50 000h ta 25°C
- Luminary can be refurbished with newest available LED & driver, new 5 year warranty.
- Input class 2: 120V. Max settable intrack driver output :12W / 0.12A
- Lumen maintenance for LED's tested by LED chip manufacturer in accordance with IESNA LM80-08.
- 5-year warranty on LED light engine, driver and all lighting fixture components. 15 year Lifetime.
- Tool-less interchangeable reflector and accessories assembly system. Pure aluminum reflector.
- Installation for dry location only : IP20
- Retrofit installation
- ETL certified to US and Canadian safety standards.
- Assembled in Beloeil, QC, Canada

Weight trim: 0.8 lb (0.4 kg)      Height in ceiling :4" min clearance  
 Weight driver: 1.2 lb (0.6kg)      Ceiling opening: 3-3/4" - 4" (95-100mm)

DELIVERED LUMEN Nominal value at 3500K & 84 CRI																
CCT OPTION	2700K	2700K	2700K	3000K	3000K	3000K	3500K	3500K	3500K	3500K	4000K	4000K	4000K	Bread	Meat	Fish
CRI OPTION	80	90	97	80/A	90	97	84	90	A/80	84	90	A/80	80	80	80	
MULTIPLIER	.93	.77	.67	.96	.80	.71	1	.83	.78	1.0	0.86	.83	.86	.53	1	

Due to continuous improvements, the information herein may be changed without notice





MAXX MXD 4" LED DOWNLIGHT FIXTURE

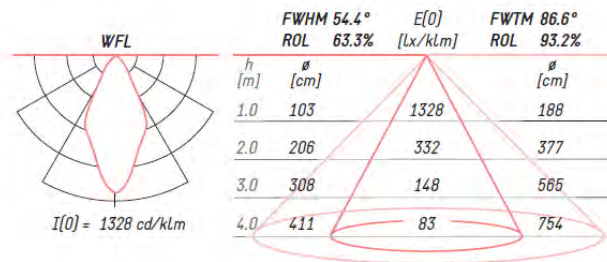
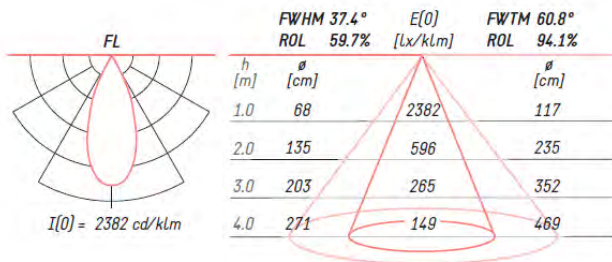
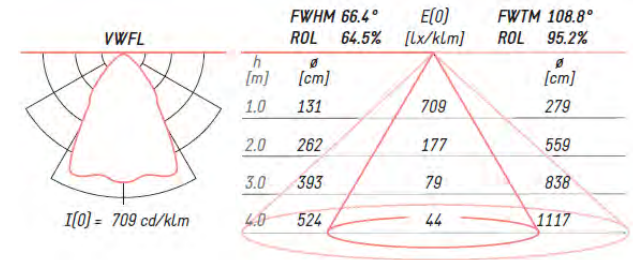
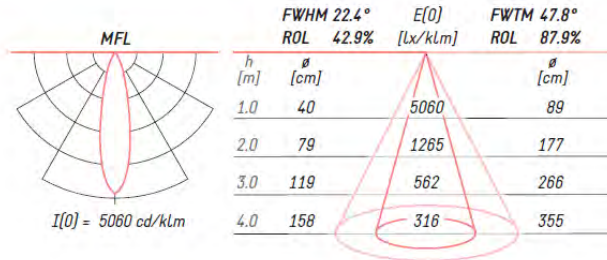
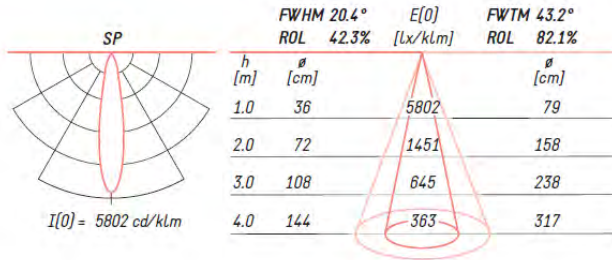
ansorg

ON LIGHT



100% recyclable,  
no composites,  
easy separation.

Light distribution with reflector





ansorg

ON LIGHT



MADE IN

Lightstrip LWL 8-1/2" LED WALL WASH LIGHTSTRIP

BUILD YOUR CODE

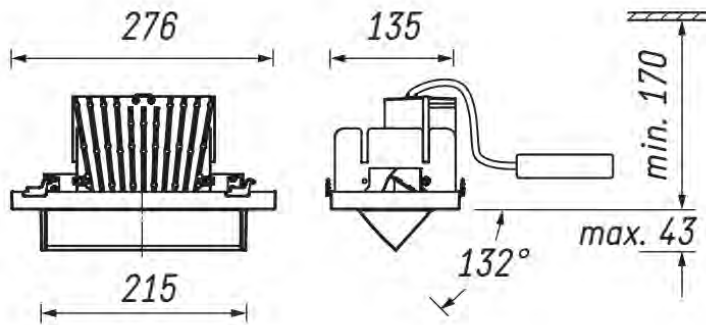
LWL	LUMENS		LED COLOR		CRI	BEAM SPREAD		VOLTAGE		HOUSING COLOR		DIMMING OPTION	
LWL	12	1200 LM (8.1W)189LM/W	27	2700 K	84	nominal CRI at 3500k	WW Wall-washer	1	120V	WH	RAL 9016 white	ADIM	0-10V 5%
	15	1500 LM (9.9W)186LM/W	30	3000 K	90	90 CRI min. value		2	277V	BK	RAL 9005 black	DALI	Dali
	18	1800 LM (12W) 184LM/W	35	3500 K	97	*(2700k 3000K 5600K)		3	347V	+	Custom color	LVP	Line voltage dim.
	20	2100 LM (14.3W)182LM/W	40	4000 K								—	None
	25	2500 LM (16W) 194LM/W											*Bluetooth control via Ca-sambi app
	30	3000 LM (20W) 192LM/W											
	35	3500 LM (22W) 190LM/W											
	40	4000 LM (25W) 185LM/W											

ACCESSORIES : Order as separate part number.	
HC	Honeycomb louver
PG	Protection Glass (glass or plexi)
LS	Lens
CA	Custom adapter between ceiling opening and trim.
LP-S2	Lightstrip double square frame

DIMENSIONS

ON LIGHT CHEAT SHEET :

\*dimension are in mm



- Nominal Efficacy : up to 194 lm/W
- 3-Step MacAdam ellipse color consistency for clean and uniform lighting.
- Failure rate C0/B10 : 50 000h ta 25°C Lumen maintenance L80/B10 :50 000h ta 25°C
- Luminaire can be refurbished with newest available LED & driver, new 5 year warranty.
- Input class 2: 120V. Max settable intrack driver output :25W / 0.25A
- Lumen maintenance for LED's tested by LED chip manufacturer in accordance with IESNA LM80-08.
- 5-year warranty on LED light engine, driver and all lighting fixture components. 15 year Lifetime.
- Tool-less interchangeable reflector and accessories assembly system. Pure aluminum reflector.
- Installation for dry location only : IP20
- Retrofit installation
- ETL certified to US and Canadian safety standards.
- Assembled in Beloeil, QC, Canada

Weight trim: 2.2 lb (1.0 kg)

Height in ceiling :6-5/8" min clearance

Weight driver: 1.2 lb (0.6kg)

Ceiling opening: 8-1/2x 5-3/8" (215x135mm)

DELIVERED LUMEN Nominal value at 3500K & 84 CRI															
CCT OPTION	2700K	2700K	2700K	3000K	3000K	3000K	3500K	3500K	3500K	4000K	4000K	4000K	Bread	Meat	Fish
CRI OPTION	80	90	97	80/A	90	97	84	90	A/80	84	90	A/80	80	80	80
MULTIPLIER	.93	.77	.67	.96	.80	.71	1	.83	.78	1.0	0.86	.83	.86	.53	1

Due to continuous improvements, the information herein may be changed without notice

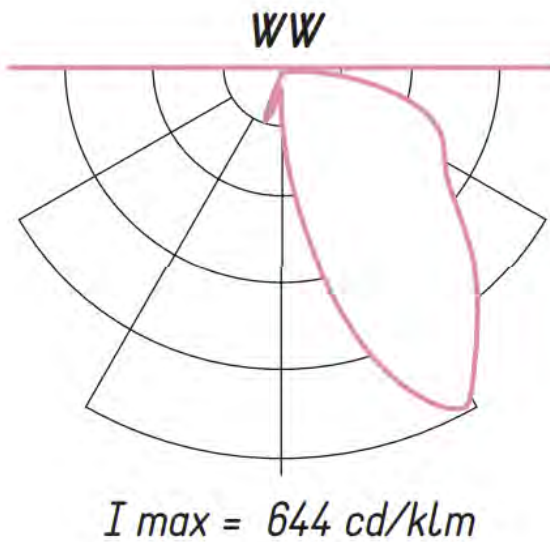


**ansorg**

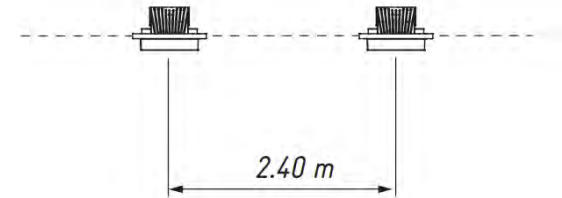
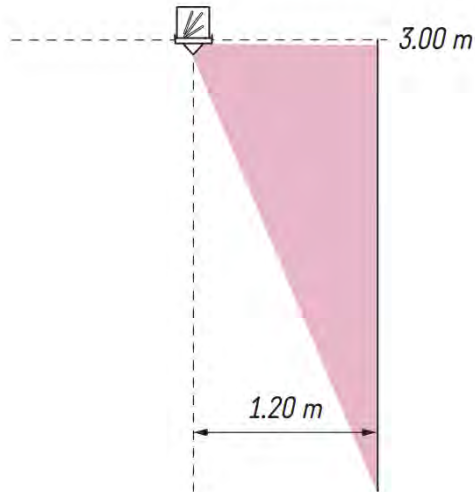
ON LIGHT

Lightstrip LWL 8-1/2" LED WALL WASH LIGHTSTRIP

Light distribution with reflector



*Planning information*





ansorg



MADE IN

ON LIGHT

Lightstrip LPR 5" LED ELBOW LIGHTSTRIP

BUILD YOUR CODE

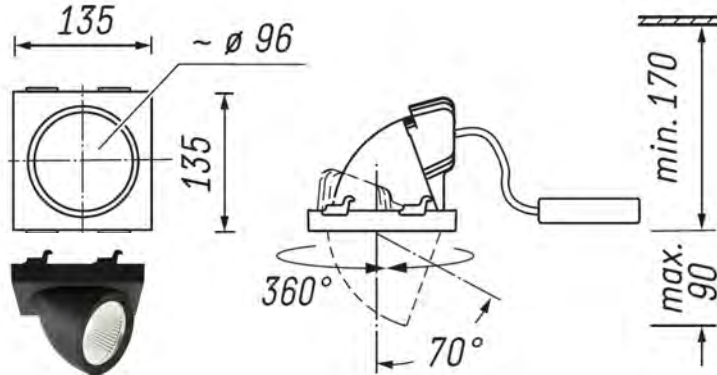
LPR	LUMENS		LED COLOR		CRI	BEAM SPREAD		VOLTAGE	HOUSING COLOR		DIMMING OPTION
LPR	12	1200 LM (8.1W)189LM/W	27	2700 K	84	SP	14.8°	1	120V	WH	0-10V 5%
	15	1500 LM (9.9W)186LM/W	30	3000 K	90	MFL	28°	2	277V	BK	DALI Dali
	18	1800 LM (12W) 184LM/W	35	3500 K	97	FL	31°	3	347V	+	Line voltage dim.
	20	2100 LM (14.3W)182LM/W	40	4000 K		WFL	55.8°				None
	25	2500 LM (16W) 194LM/W									*Bluetooth control via Ca-sambi app
	30	3000 LM (20W) 192LM/W									
	35	3500 LM (22W) 190LM/W									
	40	4000 LM (25W) 185LM/W									

ACCESSORIES : Order as separate part number.	
HC	Honeycomb louver
PG	Protection Glass (glass or plexi)
LS	Lens
CA	Custom adapter between ceiling opening and trim.
LP-S1	Lightstrip single square frame
LP-S2	Lightstrip double square frame
LP-S3	Lightstrip triple square frame

DIMENSIONS

ON LIGHT CHEAT SHEET :

\*dimension are in mm



- Nominal Efficacy : up to 194 lm/W
- 3-Step MacAdam ellipse color consistency for clean and uniform lighting.
- Failure rate C0/B10 : 50 000h ta 25°C/Lumen maintenance L80/B10 :50 000h ta 25°C
- Luminary can be refurbished with newest available LED & driver, new 5 year warranty.
- Input class 2: 120V. Max settable intrack driver output :25W / 0.25A
- Lumen maintenance for LED's tested by LED chip manufacturer in accordance with IESNA LM80-08.
- 5-year warranty on LED light engine, driver and all lighting fixture components. 15 year Lifetime.
- Tool-less interchangeable reflector and accessories assembly system. Pure aluminum reflector.
- Installation for dry location only : IP20
- Retrofit installation
- ETL certified to US and Canadian safety standards.
- Assembled in Beloeil, QC, Canada

Weight trim: 2.2 lb (1.0 kg)      Height in ceiling :5-5/8" min clearance  
 Weight driver: 1.2 lb (0.6kg)      Ceiling opening: 5-1/8" (135mm)

DELIVERED LUMEN <small>Nominal value at 3500K &amp; 84 CRI</small>															
CCT OPTION	2700K	2700K	2700K	3000K	3000K	3000K	3500K	3500K	3500K	4000K	4000K	4000K	Bread	Meat	Fish
CRI OPTION	80	90	97	80/A	90	97	84	90	A/80	84	90	A/80	80	80	80
MULTIPLIER	.93	.77	.67	.96	.80	.71	1	.83	.78	1.0	0.86	.83	.86	.53	1

Last update 11/24/2022

Due to continuous improvements, the information herein may be changed without notice



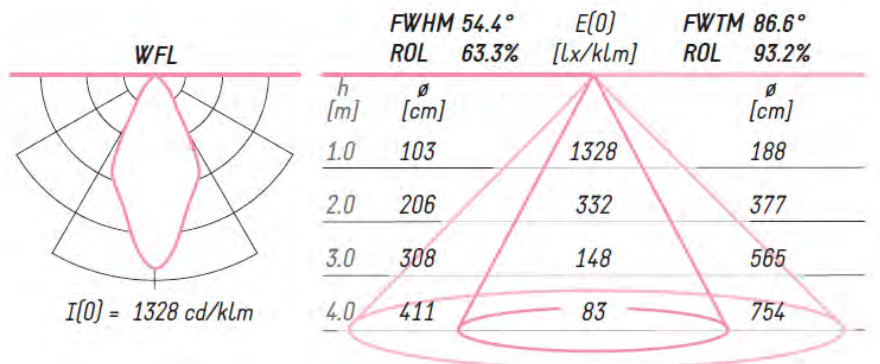
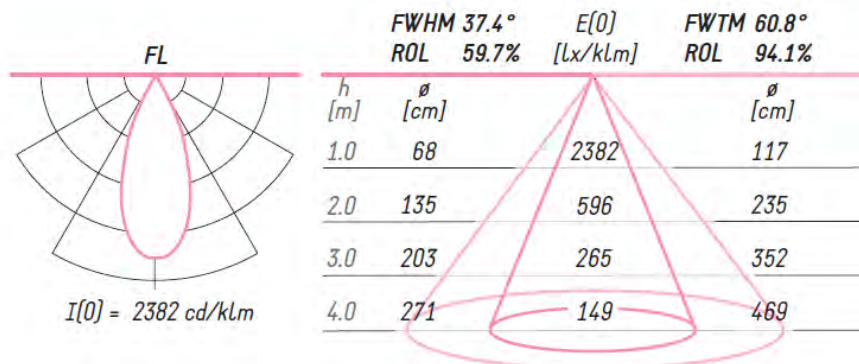
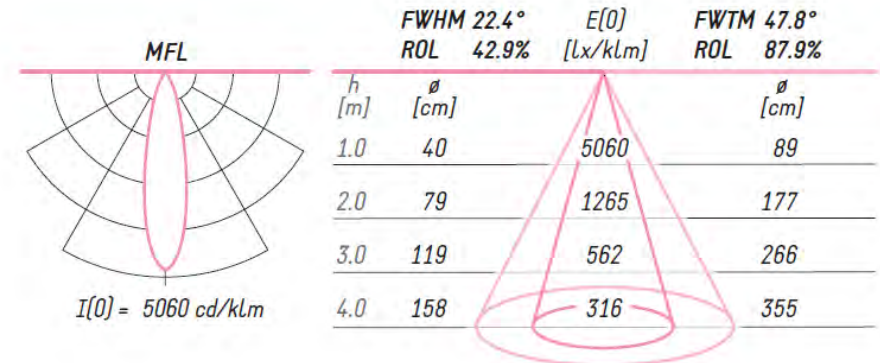
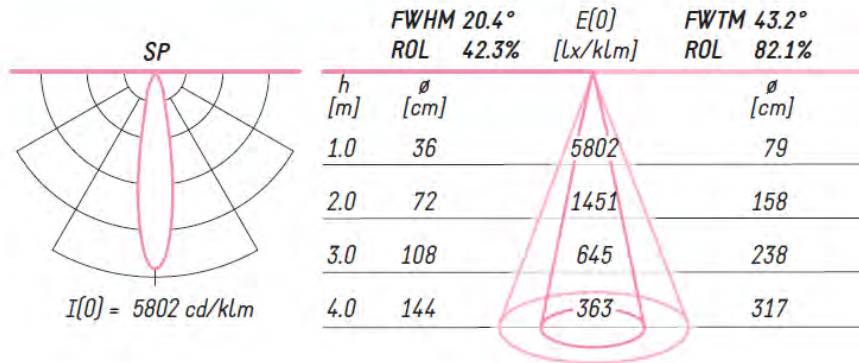


**ansorg**

ON LIGHT

Lightstrip LPR 5-5/16" LED DOWNLIGHT FIXTURE

Light distribution with reflector







- BACK2LIFE Innovative light fixture refurbish and recycle program
- EZ SWAP Tool-less interchangeable reflector assembly system
- SHIP2FAST Fast delivery program

# ATTO 95

BUILD YOUR CODE

4" LED DOWNLIGHT FIXTURE

257296

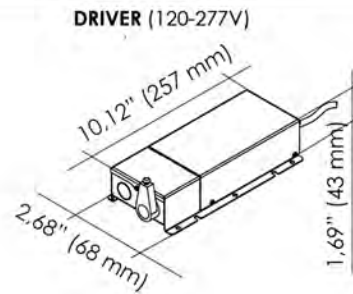
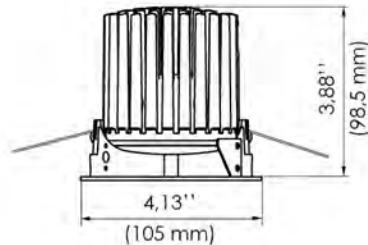


ATTO 95	DELIVERED LUMENS		LED COLOR		CRI	BEAM	VOLTAGE	HOUSING COLOR	DIMMING OPTION
ATTO 95	20	2000 LM (14W) 196LM/W	27	2700 K	84	SP 20° ▲	1 120 V	WH RAL 9016 white	ADIM 0-10V 5%
	25	2500 LM (16W) 194LM/W	30	3000 K	90	NFL 25° ▲	2 277V	BK RAL 9005 black	ADIM+ 0-10V 0.1%
	30	3000 LM (20W) 192LM/W	35	3500 K	97*	FL 35° ▲		SL RAL 9006 silver	DALI Dali
	35	3500 LM (22W) 190LM/W	40	4000 K	A A Class*	WFL 60° ▲		+ Custom color	CA Casambi*
			TW	2700K to 5000K,					— None
			TW1	1800K to 5000K	* A Class only available with (3000K, 3500K, 4000K)				*Bluetooth control via Casambi app
			TW2	2700K to 6500K.					
			B	Bread color					
			M	Meat color					
			F	Fish color					
			+	All Bridgelux CCT					

**ACCESSORIES : Order as separate part number.**

- HC Honeycomb louver
- PG Protection Glass (glass or plexi)
- LS Lens
- CA Custom adapter between ceiling opening and trim.
- EM Emergency batteries. 90min illumination time. Only available with 23W / 2600lm option.

DIMENSIONS ON LIGHT CHEAT SHEET :



- Nominal Efficacy : up to 193 lm/W
- Reported Life : 50'000 hrs. in accordance with IESNA TM-21-11.
- 3-Step MacAdam ellipse color consistency for clean and uniform lighting.
- Photometry conducted by independant NVLAP (National Voluntary Laboratory Accreditation Program) accredited testing laboratory in accordance with IESNA LM-79-08.
- Lumen maintenance for LED's tested by LED chip manufacturer in accordance with IESNA LM80-08.
- 5-year warranty on LED light engine, driver and all lighting fixture components.
- Die-cast aluminum housing construction. Double gimbal trim pivotable on 1 axis up to 13°
- Max settable driver output : 125W (2000lm-3500lm).
- Tool-less interchangeable reflector and accessories assembly system
- Tunable white: CCT rang option : 2700K to 5000K, 1800K and 5000K, 2700K and 6500K.
- Emergency batteries 90min illumination. 3 Year warranty on emergency batteries system.

Weight trim: 1.2 lb (0.5 kg)

Height in ceiling : 3 7/8" + **3" min clearance**

Weight driver : 1.7 lb (0.8kg)

Ceiling opening: 4"

DELIVERED LUMEN <small>Nominal value at 3500K &amp; 84 CRI</small>															
CCT OPTION	2700K	2700K	2700K	3000K	3000K	3000K	3500K	3500K	3500K	4000K	4000K	4000K	Bread	Meat	Fish
CRI OPTION	80	90	97	80/A	90	97	84	90	A/80	84	90	A/80	80	80	80
MULTIPLIER	.93	.77	.67	.96	.80	.71	1	.83	.78	1.0	0.86	.83	.86	.53	1

Last update 5/18/2022

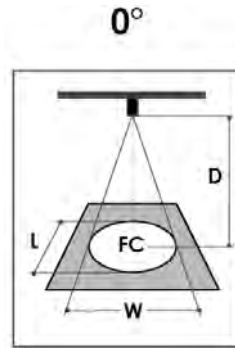
Due to continuous improvements, the information herein may be changed without notice



ATTO 95 4" LED DOWNLIGHT FIXTURE

CONE OF LIGHT DIAGRAM

(diameter shown is where fc is half the fc at nadir)



Product Family	Beam Spread	CBCP cd	D ft	FC ft	L ft	W ft	Product Family	Beam Spread	CBCP cd	D ft	FC ft	L ft	W ft	
Atto 2600 lumen 3500K 84 CRI	20° (Spot)	10320	10	103.2	3.9	3.9	Atto 2600 lumen 3500K 84 CRI	60° (Wide Flood)	3082	10	30.8	9.2	9.2	
			12	71.7	4.7	4.7				12	21.4	11.1	11.1	
			14	52.7	5.4	5.4				14	15.7	12.9	12.9	
			16	40.3	6.2	6.2				16	12.0	14.8	14.8	
			18	31.9	7.0	7.0				18	9.5	16.6	16.6	
20	25.8	7.8	7.8	20	7.7	18.4	18.4							
Atto 2600 lumen 3500K 84 CRI	35° Flood)	6527	10	65.3	5.9	5.9								
			12	45.3	7.1	7.1								
			14	33.3	8.2	8.2								
			16	25.5	9.4	9.4								
			18	20.1	10.6	10.6								
20	16.3	11.8	11.8											

TECHNICAL PRODUCT SPECIFICATIONS

<p><b>TRIM HOUSING :</b> Die-cast aluminum housing construction. Single gimbal trim pivotable on 1 axis up to 13°. EZ Swap Tool-less interchangeable reflector assembly system between all track and downlight products. Trim frame can accommodate ceiling thickness up to 0.79" (20mm).</p> <p><b>OPTICAL SYSTEM :</b> Tool-less, user-friendly MIRO ® pure aluminum optical reflector assembly available in four beam spreads: 20 °, 25 °, 35 ° &amp; 60 °. Faceted/dimpled reflector ensures clean and uniform beam of light.</p> <p><b>ELECTRICAL ENCLOSURE :</b> Metal enclosure with Wago electrical terminal block/connector for easy installation.</p> <p><b>LED LIGHT ENGINE :</b> BRIDGELUX VERO SERIES 2 or 3 SDCM / 2 or 3 Step MacAdam ellipse multi-chip LED cluster Light Engine yields perfect color consistency with clean and uniform beam of light.</p> <p><b>LED DRIVER :</b> Proprietary LED driver. Power factor: &gt; 95 % at 120 V. Driver output is Class 2 rated.</p> <p><b>A CLASS COLOR :</b> Class A is based on human response testing, providing color points with a combined GAI and CRI metric.</p> <p><b>FOOD COLOR :</b> Ensures accurate food color rendition of meat, bread or fish in food retailer.</p> <p><b>BRIDGELUX CCT :</b> 1750K, 2000K, 2500K, 2700K, 3000K, 3500K, 4000K, 5000K, 5600K, 5700K, 6500K.</p> <p><b>R9 VALUE</b> Mini. R9 value for 80 CRI CRI is 0. the min. R9 values for 90 LED is 50. the min. R9 value for 97 CRI LED is 93. For Décor series LED, Typical R9 value is 98 to enhance RED's and an R15 value of 97</p> <p><b>MADE IN CANADA :</b> Luminaires are assembled in Canada, Montréal.</p>	<p><b>DIMMING</b> Dimming option down to 5% or 0.1%</p> <p><b>CASAMBI</b> Bluetooth dimming or CCT control via free Casambi app for Android and Apple.</p> <p><b>CERTIFICATION :</b> CSA certified to US and Canadian safety standards. Photometrically tested by NVLAP accredited testing laboratory in accordance with IESNA LM-79-08. LED Light Engine tested by LED chip manufacturer in accordance with IESNA LM-80-08. Lighting Facts qualified.</p> <p><b>FINISH :</b> Roughed textured powder-coated paint finish. Available in RAL 9016 white, RAL 9005 black and RAL 9006 silver.</p> <p><b>WEIGHT :</b> Trim : 1.2 lb (0.5 kg)</p> <p><b>ENVIRONMENT :</b> Rated for dry locations only. Applications in damp or wet locations will void warranty.</p> <p><b>REPORTED LIFE :</b> 50'000 hrs at L77 in accordance with IESNA TM-21-11 (Projecting Long Term Lumen Maintenance of LED Light Sources).</p> <p><b>WARRANTY :</b> 5-year comprehensive system warranty (LED Light Engine, LED Driver and luminaire parts).</p> <p><b>BACK TO LIFE :</b> Luminaire can be refurbished with the newest generation of LED and driver.</p> <p><b>INPUT WATTAGE :</b> 25W</p> <p><b>GAI</b> GAI value 80 @ CRI93</p> <p><b>TUNABLE WHITE :</b> Tunable white: 6500K to 2700K CCT range or 4000K to 1800K CCT. CRI 95</p> <p><b>EMERGENCY :</b> Emergency batteries. 90min illumination. 3 Year warranty on emergency batteries system.</p>
--	---

Last update 5/18/2022

Due to continuous improvements, the information herein may be changed without notice



- BACK2LIFE** Innovative light fixture refurbish and recycle program
- Z SWAP** Tool-less interchangeable reflector assembly system
- SHIP2FAST** Fast delivery program

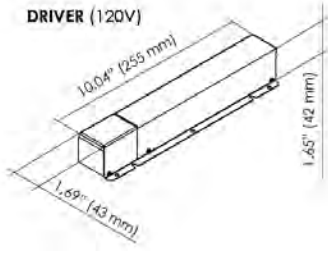
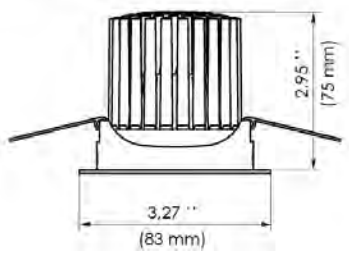


**ATTO 70** 2" LED DOWNLIGHT FIXTURE



BUILD YOUR CODE								ACCESSORIES : <i>Order as separate part number.</i>	
PRODUCT	DELIVERED LUMENS	LED COLOR	CRI	BEAM SPREAD	VOLTAGE	HOUSING COLOR	DIMMING OPTION		
ATTO 70	12 1200 LM (8.1W)189LM/W 15 1500 LM (9.9W)186LM/W 18 1800 LM (12W) 184LM/W 20 2100 LM (14.3W)182LM/W	27 2700 K 30 3000 K 35 3500 K 40 4000 K 50 5000 K 57 5700 K 65 6500 K	84 nominal CRI at 3500k 90 90 CRI min. value 97 *(2700k 3000K 5600K)	SP ▲ 20° WFL ▲ 40°	1 120 V 2 277V	WH RAL 9016 white BK RAL 9005 black SL RAL 9006 silver	ADIM 0-10V 5% TRIAC Triac dim. — None	HCL Honeycomb louver PG Protection Glass LS Lens glass (glass or plexi) CA Custom adapter between existing ceiling opening and downlight trim.	

DIMENSIONS TECHNICAL PRODUCT SPECIFICATIONS



Weight trim: 0.6 lb (0.3 kg)      Height in ceiling : 3" + **3" min clearance**  
 Weight driver : 1.2 lb (0.6kg)      Ceiling opening: 3"

DELIVERED LUMEN : Nominal value at 3500K & 84 CRI.										
CCT OPTION	2700K	2700K	2700K	3000K	3000K	3000K	3500K	3500K	4000K	4000K
CRI OPTION	84	90	97	84	90	97	84	90	84	90
MULTIPLIER	.93	.77	.67	.96	.80	.71	1	.83	1.0	0.86

- Nominal Efficacy : up to 189 lm/W
- Reported Life : 50'000 hrs. in accordance with IESNA TM-21-11.
- Photometry conducted by independant NVLAP (National Voluntary Laboratory Accreditation Program) accredited testing laboratory in accordance with IESNA LM-79-08.
- Lumen maintenance for LED's tested by LED chip manufacturer in accordance with IESNA LM80-08.
- 5-year warranty on LED light engine, driver and all lighting fixture components.
- Max input watt : 15W
- Dimming 0-10V down to 5%
- Die-cast aluminum housing construction. Single gimbal trim pivotable on 1 axis up to 13°. Trim frame can accommodate ceiling thickness up to 0.79" (20mm).
- BRIDGELUX VERO SERIES 2 or 3 SDCM / 2 or 3 Step MacAdam ellipse multi-chip LED cluster Light Engine yields perfect color consistency with clean and uniform beam of light.
- GAI value 80 @ CRI93
- Typical R9 value of 98 to enhance RED's and an R15 value of 97 to allow for realistic human ski representation
- Rated for dry locations only. Applications in damp or wet locations will void warranty.
- CSA certified to US and Canadian safety standards.
- Roughed textured powder-coated paint finish. Available in RAL 9016 white, RAL 9005 black and RAL 9006 silver.
- Tool-less, user-friendly MIRO® pure aluminum optical reflector assembly available in 2 beam spreads: 20°, 40°, Faceted/dimpled reflector ensures clean and uniform beam of light.
- Luminaire can be refurbished with the newest generation of LED and driver.
- Luminaires are assembled in Canada, Montréal.

Last update 5/18/2022

Due to continuous improvements, the information herein may be changed without notice





**SWAP** Tool-less interchangeable reflector assembly system

**SHIP2FAST** Fast delivery program

Suitable as a ceiling, pendant, track mounted luminaire ideal for shop retail, office spaces, classrooms applications

Indirect lighting is possible as an option. Made from high quality materials, the products convince with their functional design.

**LINE UP** LED LINEAR PROFILE

BUILD YOUR CODE

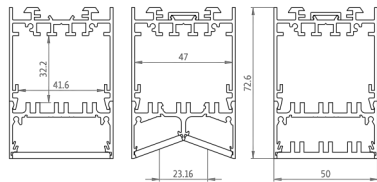


**ON LIGHT**

LINE UP	LENGTH	DELIVERED LUMEN / FT	LIGHT DISTRIBUTION	LED COLOR	CRI	BEAM SPREAD	VOLTAGE	HOUSING COLOR	DIMMING OPTION	MOUNTING	
LINE UP	_____ in or mm <sup>1</sup>	3 300LM/FT (2.5W/FT)	10 100% DW 0% UP	27 2700 K	84 84 CRI	FC Frosted cover <sup>3</sup>	1 120V	AN Natural anodized	ADIM 0-10V 5%	TM Track mount <sup>4</sup>	
	_____ continuous run <sup>1,2</sup>	4 400LM/FT (3.4W/FT)	91 90% DW 10% UP	30 3000 K	90 90 CRI	PL 60° Prismatic lens	2 277V	BKAN Black anodized	ADIM+ 0-10V 0.1%	SM Surface mount	
		5 500LM/FT (4.4W/FT)	82 80% DW 20% UP	35 3500 K	95 95 CRI	AM Assymetric 2x 20°	3 347V	WH White finish	DALI Dali	WM Wall mount	
		6 600LM/FT (5.3W/FT)	64 60% DW 40% UP	40 4000 K		WW Wall wash		+ Custom color anodized	CA Casambi	S10 Suspended 10'	
		7 700LM/FT (6.3W/FT)	55 50% DW 50% UP	50 5000K		WD Frosted wave diffuser <sup>3</sup>			— None	S15 Suspended 15'	
		8 800LM/FT (7.4W/FT)	46 40% DW 60% UP	TW (27k-50K)						S20 Suspended 20'	
		9 900LM/FT (8.5W/FT)									
		10 1000LM/FT (2x4.4W/FT)									
		12 1200LM/FT (2x5.3W/FT)									
		15 1500LM/FT ((2x6.3W/FT)									
		_____ LM/FT (____ W/FT)*									
	<sup>1</sup> LED cutting increment: 4" (99 mm) Max extrusion length: 20ft/6000mm <sup>2</sup> Continuous run includes linears, custom angle couplers <sup>3</sup> 30% light loss <sup>4</sup> For 3 or 2 circuit global										

DIMENSIONS

Height : 2-7/8" (72.6mm)  
 Wide : 2" (50mm)  
 Max extrusion length : 20' (6m)

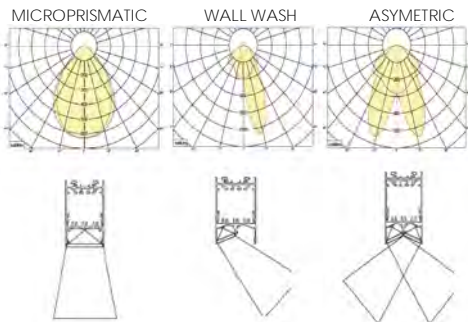


TECHNICAL PRODUCT SPECIFICATIONS

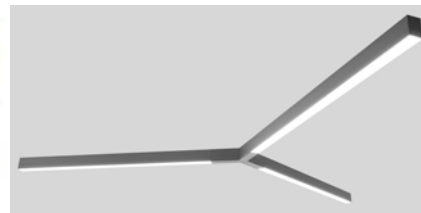
- Nominal Efficacy : up to 122.9 lm/W, Nominal value at 3500K & 84 CRI.
- Reported Life : 50'000 hrs. in accordance with IESNA TM-21-11.
- 3-Step MacAdam ellipse color consistency for clean and uniform lighting.
- Photometry conducted by independent NVLAP (National Voluntary Laboratory Accreditation Program) accredited testing laboratory in accordance with IESNA LM-79-08.
- Lumen maintenance tested by LED chip manufacturer in accordance with IESNA LM80-08.
- 5-year warranty on LED light engine, driver and all lighting fixture components.
- Track mount system, suspended or surface mount mounting system.
- Input class 2 120V-277V : Max 12.5W / ft.
- Dimming 0-10V down to 0.1%
- Tool-less interchangeable reflector assembly system. User-friendly pattern assembly.
- Rated for dry locations only. Applications in damp or wet locations will void warranty.
- CSA certified to US and Canadian safety standards
- Luminaires are made in Canada, Beloeil.
- Class A is based on human response testing, providing color points with a combined GAI and CRI metric.
- Luminaire can be refurbished and if available with new a generation of led and driver.
- Bluetooth dimming or CCT control via free Casambi app for Android and Apple.

BEAM SPRED

Custom assembly available on request :



Line UP 3 spoke option : Tri Light







- BACK2LIFE** Innovative light fixture refurbish and recycle program
- SWAP** Tool-less interchangeable reflector assembly system
- SHIP2FAST** Fast delivery program

Project:

QUANTITIES:

**ON LIGHT**

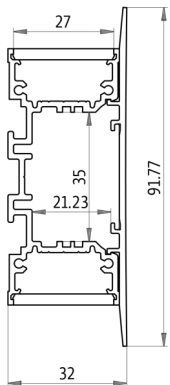
**KOOLED KB** LED LINEAR PROFILE



BUILD YOUR CODE												
KB	PRODUCT	LENGTH	DELIVERED LUMEN / FT	LIGHT DISTRIBUTIOMN	LED COLOR	CRI	BEAM SPREAD	VOLTAGE	HOUSING COLOR	DIMMING OPTION	MOUNTING	
KB		_____ in or mm <sup>1</sup>	3 300LM/FT (2.5W/FT)	10 100% DW 0% UP	27 2700 K	84 84 CRI	FC Frosted cover <sup>3</sup>	1 120V	AN Natural anodized	ADIM 0-10V 5%	WM Wall mount	
		_____ continuous run <sup>1</sup> .	4 400LM/FT (3.4W/FT)	91 90% DW 10% UP	30 3000 K	90 90 CRI	PL 60° Prismatic lens	2 277V	BKAN Black anodized	ADIM+ 0-10V 0.1%	S10 Suspended 10'	
			5 500LM/FT (4.4W/FT)	82 80% DW 20% UP	35 3500 K	95 95 CRI	FL Fresnel cover	3 347V	WH White finish	DALI Dali	S15 Suspended 15'	
			6 600LM/FT (5.3W/FT)	64 60% DW 40% UP	40 4000 K							
			7 700LM/FT (6.3W/FT)	55 50% DW 50% UP	50 5000K							
				8 800LM/FT (7.4W/FT)	46 40% DW 60% UP	TW (27k-50K)						
				9 900LM/FT (8.5W/FT)								
				_____ LM/FT (____ W/FT)*								
					*custom							

DIMENSIONS

Hight : 4" (100mm)  
 Wide : 1-3/8" (34mm)  
 Max extrusion length : 20' (6m)

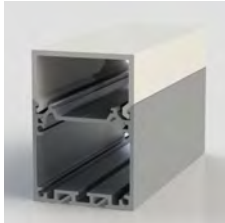


TECHNICAL PRODUCT SPECIFICATIONS

- Nominal Efficacy : up to 122.9 lm/W, Max 800lm/ft f
- Reported Life : 50'000 hrs. in accordance with IESNA TM-21-11.
- 3-Step MacAdam ellipse color consistency for clean and uniform lighting.
- Photometry conducted by independant NVLAP (National Voluntary Laboratory Accreditation Program) accredited testing laboratory in accordance with IESNA LM-79-08.
- Lumen maintenance tested by LED chip manufacturer in accordance with IESNA LM80-08.
- 5-year warranty on LED light engine, driver and all lighting fixture components.
- Track mount system, suspended or surface mount mounting system.
- Input class 2 : 120V-277V : Max 8.5W / ft. down light
- Dimming 0-10V down to 0.1%
- Tool-less interchangeable reflector assembly system
- Rated for dry locations only. Applications in damp or wet locations will void warranty.
- CSA certified to US and Canadian safety standards
- Luminaires are made in Canada, Montréal
- Luminaire can be refurbished and if available with a new generation of led and driver.
- Bluetooth dimming or CCT control via free Casambi app for Android and Apple.
- Linear and angle coupler for run system.

Last update January, 2021

Due to continuous improvements, the information herein may be changed without notice



Suitable for mirror cabinets, as ceiling and wall mounting. The high opal cover is the main focus here

Made from high quality materials, the products convince with their functional design.

BACK2LIFE Innovative light fixture refurbish and recycle program

SHIP2FAST Fast delivery program

**ON LIGHT**

**KOOLED KM** LED LINEAR PROFILE

BUILD YOUR CODE

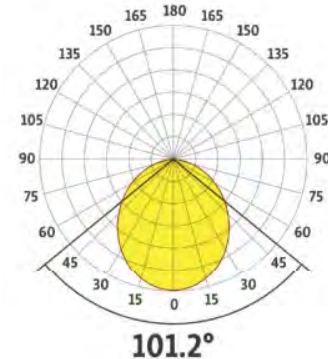
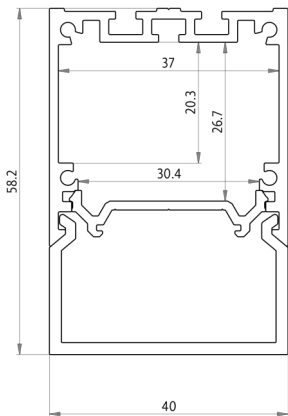


PRODUCT	LENGTH	DELIVERED LUMEN / FT	LED COLOR	CRI	BEAM SPREAD	VOLTAGE	EXTRUSION FINISH	DIMMING OPTION	MOUNTING
KOOLED KM	_____in or mm <sup>1</sup>	2 200LM/FT (1.7W/FT)	27 2700 K	84 84 CRI	FD Frosted diffuser <sup>1</sup>	1 120V	AN Natural anodized	ADIM 0-10V 5%	WM Wall mount
	_____continuous run <sup>1,2</sup>	3 300LM/FT (2.5W/FT)	30 3000 K	90 90 CRI	130% light loss	2 277V	BKAN Black anodized	ADIM+ 0-10V 0.1%	SM Surface mounted
		4 400LM/FT (3.4W/FT)	35 3500 K	95 95 CRI		3 347V*	_____ Custom color	DALI Dali	S5 Suspended 5'
		5 500LM/FT (4.4W/FT)	40 4000 K	A A Class (300K, 3500K, 4000K)	_____ Custom anodized	CA Casambi	S10 Suspended 10'		
		6 600LM/FT (5.3W/FT)	50 5000K	TW Tunable white (2700k - 5000K)	_____	None	S15 Suspended 15'		
		7 700LM/FT (6.3W/FT)	_____ Custom color	_____	_____	_____	S20 Suspended 20'		
		8 800LM/FT (7.4W/FT)	_____	_____	_____	_____	_____		
		9 900LM/FT (8.5W/FT)	_____	_____	_____	_____	_____		
		10 1000LM/FT (2x4.4W/FT)	_____	_____	_____	_____	_____		
		12 1200LM/FT (2x5.3W/FT)	_____	_____	_____	_____	_____		
		_____LM/FT (____W/FT)*	_____	_____	_____	_____	_____		

<sup>1</sup>LED flex cutting increment: 4" (99 mm).  
Max extrusion length: 20ft/6000mm  
<sup>2</sup>Continuous l. includes linears couplers  
<sup>3</sup>Can included custom angles couplers

DIMENSIONS      BEAM SPRED      TECHNICAL PRODUCT SPECIFICATIONS

Dimension are in mm



- Nominal Efficacy : up to 160 lm/W, Nominal value at 3500K & 84 CRI.
- Reported Life : 50'000 hrs. in accordance with IESNA TM-21-11.
- 3-Step MacAdam ellipse color consistency for clean and uniform lighting.
- Photometry conducted by independent NVLAP (National Voluntary Laboratory Accreditation Program) accredited testing laboratory in accordance with IESNA LM-79-08.
- Lumen maintenance tested by LED chip manufacturer in accordance with IESNA LM80-08.
- 5-year warranty on LED light engine, driver and all lighting fixture components.
- Input class 2 120V-277V : Max 11W/ft.
- LED flex min. cutting increment: 4" (99 Mm).
- Dimming 0-10V down to 0.1%
- Tool-less interchangeable reflector assembly system. User-friendly pattern assembly.
- Rated for dry locations only. Applications in damp or wet locations will void warranty.
- Certified to US and Canadian safety standards
- Class A is based on human response testing, providing color points with a combined GAI and CRI metric.
- Luminaire can be refurbished and if available with new a generation of led and driver.
- Bluetooth dimming or CCT control via free Casambi app for Android and Apple.
- Luminaires are made in Canada, Beloeil.

Hight : 2-1/4" (58.2mm)      Length : Max length 20ft (6m)

Wide : 1-1/2" (40mm)

Last update January, 2021

Due to continuous improvements, the information herein may be changed without notice



Suitable as a ceiling or pendant luminaire in office spaces or corridors.  
 Made from high quality materials, the products convince with their functional design.  
**BACK2LIFE** Innovative light fixture refurbish and recycle program  
**SHIP2FAST** Fast delivery program

ON LIGHT

**KOOLED KP** LED LINEAR PROFILE

BUILD YOUR CODE



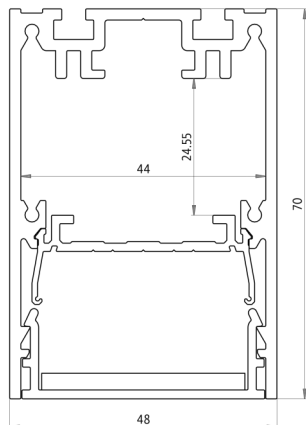
PRODUCT	LENGTH	DELIVERED LUMEN /FT	LED COLOR	CRI	BEAM SPREAD	VOLTAGE	EXTRUSION FINISH	DIMMING OPTION	MOUNTING	
KOOLED KP	_____in or mm <sup>1</sup>	2 200LM/FT (1.7W/FT)	27 2700 K	84 84 CRI	FD Frosted diffuser <sup>1</sup> 130% light loss	1 120V	AN Natural anodized	ADIM 0-10V 5%	SM Surface mounted	
	_____continuous run <sup>1,2</sup>	3 300LM/FT (2.5W/FT)	30 3000 K	90 90 CRI		2 277V	BKAN Black anodized	ADIM+ 0-10V 0.1%	WA 6"Wall mount arm	
		4 400LM/FT (3.4W/FT)	35 3500 K	95 95 CRI		3 347V*	_____ Custom color	DALI Dali	S5 Suspended 5'	
		5 500LM/FT (4.4W/FT)	40 4000 K	TW Tunable white (2700k - 5000K) _____ Custom color		_____ Custom anodized	CA Casambi	S10 Suspended 10'		
		6 600LM/FT (5.3W/FT)	50 5000K			_____ None	S15 Suspended 15'			
		7 700LM/FT (6.3W/FT)	_____			S20 Suspended 20'				
		8 800LM/FT (7.4W/FT)	_____							
		9 900LM/FT (8.5W/FT)	_____							
		10 1000LM/FT (2x4.4W/FT)	_____							
		12 1200LM/FT (2x5.3W/FT)	_____							
		_____LM/FT (____W/FT)*	_____							
		<sup>1</sup> LED flex cutting increment:4" (99 mm). Max extrusion length: 20ft/6000mm <sup>2</sup> Continuous l. includes linears couplers <sup>2</sup> Can included custom angles couplers								

DIMENSIONS

BEAM SPRED

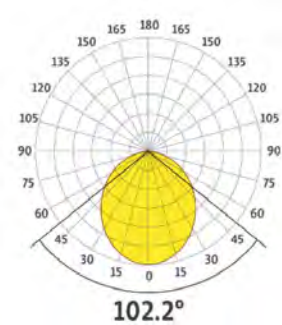
TECHNICAL PRODUCT SPECIFICATIONS

Dimension are in mm

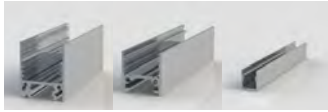


Height : 2-3/4" (70mm)

Wide : 1-7/8" (48mm)



- Nominal Efficacy : up to 160 lm/W, Nominal value at 3500K & 84 CRI.
- Reported Life : 50'000 hrs. in accordance with IESNA TM-21-11.
- 3-Step MacAdam ellipse color consistency for clean and uniform lighting.
- Photometry conducted by independent NVLAP (National Voluntary Laboratory Accreditation Program) accredited testing laboratory in accordance with IESNA LM-79-08.
- Lumen maintenance tested by LED chip manufacturer in accordance with IESNA LM80-08.
- 5-year warranty on LED light engine, driver and all lighting fixture components.
- Input class 2 120V-277V : Max 11W/ft.
- LED flex min. cutting increment: 4" (99 Mm).
- Dimming 0-10V down to 0.1%
- Tool-less interchangeable reflector assembly system. User-friendly pattern assembly.
- Rated for dry locations only. Applications in damp or wet locations will void warranty.
- Certified to US and Canadian safety standards
- Bluetooth dimming or CCT control via free Casambi app for Android and Apple.
- User friendly pattern assembly system.
- Luminaires are made in Canada, Beloeil.



The profile UH, UR or UO stands out due to its versatile areas of application.

The angle of the profile is adjustable thanks to the round design.

Made from high quality materials, the products convince with their functional design

## KOOLED UH & UR & UO LED LINEAR PROFILE



PRODUCT	LENGTH	LED	COLOR TEMP	CRI	COVER	OPTIC	HOUSING COLOR	ELECTRICAL OUTLET	POWER CORD LENGTH
UH 1-1/2"x 1-1/4" (40mm x 33mm) UR 7/8"x 7/8" (22mm x 22mm) UO 3/8"x 1/2" (9.5mm x 12mm)	_____in or mm	8F 8W/M (2.4W/FT) LED FLEX <sup>1</sup>	27 2700 K	80 80 CRI	FC Frosted cover <sup>6</sup>	SP 12 <sup>*7</sup>	AN Natural anodized	B Back	3 3FT
		14F 14W/M (4.4W/FT) LED FLEX <sup>1</sup>	30 3000 K	90 90 CRI <sup>5</sup>	CC Clear cover	FL 29 <sup>*7</sup>	BKAN Black anodized	S Side	5 5FT
		IP14F 14W/M (4.4W/FT) IP65 LED FLEX <sup>1</sup>	35 3500 K	95 95 CRI <sup>5</sup>	PL Prismatic lens 60° beam spread	WFL 50 <sup>*7</sup>	WH White finish RAL 9016		8 8FT
		19F 19.3W/M (5.8W/FT) LED FLEX <sup>2,4</sup>	40 4000 K	A A Classe	— Extrusion opening	WW 33/13 <sup>*7,8</sup>	BK Black finish RAL 9005	EN End	10 10FT
		24F 24W/M (7.3W/FT) LED FLEX <sup>1,4</sup>	50 5000 K			_____ Custom color	12 12FT		
		28F 24W/M (8.8W/FT) LED FLEX <sup>1,4</sup>				_____ Custom anodized	15 15FT		
		28B 28W/M (8.5W/FT) LED BOARD <sup>3,4</sup>					18 18FT		
		20B 20W/M (6.1W/FT) LED BOARD <sup>3,4</sup>					20 20FT		

Power cord color	MOUNTING	AIRCRAFT CABLE END FIXING (optional)
G Grey (standard)	SM Surface mount	RC3 2-3/4" round canopy White finish
B Black	RM Recessed mount	RC2 2-3/4" round canopy Black finish
W White	S5 Suspension 5'	RC1 2-3/4" round canopy Brushed aluminum finish
C Clear	S10 Suspension 10'	SC3 2-3/4" square canopy White finish
	S15 Suspension 15'	SC2 2-3/4" square canopy Black finish
	S20 Suspension 20'	SC1 2-3/4" square canopy Brushed aluminum finish
	_____ Custom arm	BB14 Top Hat Barrel
		EY90°G 90 Eyelet

REMOTE DRIVER: Order as separate part number.	DRIVER DIMMING	VOLTAGE	QTY
DRVR-PROFILE 24VDC / 96W <sup>5</sup>	ADIM 0-10V 5%	3 347V	
DRVR-PROFILE XL 24VDC / 100W	CA Casambi	— 120-277V*	
DRVR-PROFILE-IP67 24VDC / 96W IP67	— None	*standard	



Bracket Surface mount



Round canopy

Last update January, 2021

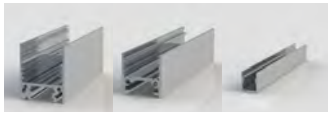
**TECHNICAL PRODUCT SPECIFICATIONS: see back side for dimensions**

- Nominal Efficacy : 108.8 lm/W with 8W/M LED Flex, 261lm/ft.
- Nominal Efficacy : 103.6 lm/W with 14W/M LED Flex, 435lm/ft.
- Nominal Efficacy : 103.6 lm/W with 19.3W/M LED Flex, 600lm/ft.
- Nominal Efficacy : 140 lm/W with 24W/M LED Board, 1022 lm/ft.
- Nominal Efficacy : 139.3 lm/W with 28W/M LED Board, 1190 lm/ft.
- Nominal Efficacy : 124.8 lm/W with 24W/M LED Flex, 913 lm/ft.
- IP65 LED flex rated for wet location.
- KOOLED IP65 plexi tube suitable for wet location
- Reported Life : 50'000 hrs. in accordance with IESNA TM-21-11.
- Lumen maintenance for luminaire LED's tested by LED chip manufacturer in accordance with IESNA LM80-08.
- 5-year warranty on LED light engine, driver and all lighting fixture components.
- LED flex min. cutting increment: 2-3/8" (6 cm), or 2" (5cm) LED board min. cutting increment: 1" (2.5 cm)
- Kooled LED profile made of aluminum extrusion. User-friendly pattern assembly system.
- Dimming 0-10V down to 5%
- Input : 24V DC
- Assembled/made in Canada

<sup>1</sup>Cutting increment: 2" (5 cm)      <sup>4</sup>Not available white UO      <sup>7</sup>Only available for LED boards 24B, 28B  
<sup>2</sup>Cutting increment: 2-3/8" (6 cm)      <sup>5</sup>30% Typical luminous flux reduction  
<sup>3</sup>Cutting increment: 1" (2.5cm),      <sup>6</sup>15% Typical luminous flux reduction

Due to continuous improvements, the information herein may be changed without notice





The profile UH, UR or UO stands out due to its versatile areas of application.

The angle of the profile is adjustable thanks to the round design.

Made from high quality materials, the products convince with their functional design

**KOOLED UH & UR & UO** LED LINEAR PROFILE

DIMENSIONS		KOOLED UH	KOOLED UR	KOOLED UO
Weight:	0.48lb/ft		Weight: 0.22lb/ft	Weight: 0.06lb/ft
Height:	1-1/2" (40mm)			
Wide:	1-1/4" (33mm)		Height : 7/8" (22mm) Wide : 7/8" (22mm)	Height : 1/2" (12mm) Wide : 3/8" (9.6mm)
Max Length:	16' (4.8m)		Max Length : 20' (6m)	Max Length : 20' (6m)



On Light - Beloeil - CAN KOOLED UH, 28W/M LED flex



ARC'TERYX - BOSTON - US KOOLED UH, LED flex 38W/M, Prismatic lens





The profile UA, UD OR UI stands out due to its versatile areas of application.  
Made from high quality materials, the products convince with their functional design

ON LIGHT

KOOLED UA UD UI LED LINEAR PROFILE



PRODUCT	LENGTH	LED	COLOR TEMP	CRI	COVER	HOUSING COLOR	ELECTRICAL OUTLET	POWER CORD LENGTH
UA 7/8" x 3/8" (22mm x 10mm)	_____in or mm	8F 8W/M (2.4W/FT) LED FLEX <sup>1</sup> 14F 14W/M (4.4W/FT) LED FLEX <sup>1</sup> 14F+ 14W/M (4.4W/FT) LED FLEX <sup>1</sup>	27 2700 K 30 3000 K 35 3500 K	90 90 CRI 95 95 CRI <sup>2</sup> A A Classe	CF Clear flat CR Clear round FF Frosted flat <sup>3</sup>	AN Natural anodized BKAN Black anodized WH White finish RAL 9016 BK Black finish RAL 9005 _____ Custom color _____ Custom anodized	S Side EN End	3 3FT 5 5FT 8 8FT 10 10FT 15 15FT 20 20FT 25 25FT
UD 1/2" x 1/16" (22mm x 9mm)		IP14F 14W/M (4.4W/FT) IP65 LED FLEX <sup>1</sup>	40 4000 K		FR Frosted round diffusor <sup>3</sup> SD Frosted Square diffusor <sup>3</sup>			
UI 7/8" x 5/8" (22mm x 17mm)		19F 19.3W/M (5.8W/FT) LED FLEX <sup>1</sup> 25F 25W/M (7.7W/FT) LED FLEX <sup>1</sup>	50 5000 K		BD Frosted ballon diffusor <sup>4</sup> WW Wall wash lens			

Power cord color	MOUNTING	AIRCRAFT CABLE END FIXING (optional)
G Grey (standard)	SM Surface mount	RC3 2-3/4" round canopy White finish
B Black	S5 Suspension 5'	RC2 2-3/4" round canopy Black finish
W White	S10 Suspension 10'	RC1 2-3/4" round canopy Brushed aluminum finish
C Clear	S15 Suspension 15'	SC3 2-3/4" square canopy White finish
	S20 Suspension 20'	SC2 2-3/4" square canopy Black finish
	_____ Custom arm	SC1 2-3/4" square canopy Brushed aluminum finish
		BB14 Top Hat Barrel
		EY90°G 90 Eyelet

BUILD YOUR CODE

REMOTE DRIVER: Order as separate part number.	DRIVER DIMMING	VOLTAGE	QTY
DRVR-PROFILE 24VDC / 100W <sup>5</sup>	ADIM 0-10V 10%	— 120-277V*	
DRVR-PROFILE-150 24VDC / 150W	— None	*standard	
DRVR-PROFILE-IP67 24VDC / 96W IP67			



Surface mount Bracket

TECHNICAL PRODUCT SPECIFICATIONS: see back side for dimensions

- Nominal Efficacy : 108.8 lm/W with 8W/M LED Flex, 261lm/ft.
- Nominal Efficacy : 103.6 lm/W with 14W/M LED Flex, 435lm/ft.
- Nominal Efficacy : 103.6 lm/W with 14W/M LED+ Flex, 655lm/ft.
- Nominal Efficacy : 103.6 lm/W with 19.3W/M LED Flex, 700lm/ft.
- Nominal Efficacy : 124.8 lm/W with 24W/M LED Flex, 914 lm/ft.
- IP65 LED flex rated for wet location.
- Reported Life : 50'000 hrs. in accordance with IESNA TM-21-11.
- Lumen maintenance for luminaire LED's tested by LED chip manufacturer in accordance with IESNA LM80-08.
- 5-year warranty on LED light engine, driver and all lighting fixture components.
- LED flex min. cutting increment: 2"(5cm)
- Kooled LED profile made of aluminum extrusion. User-friendly pattern assembly system.
- Dimming 0-10V down to 10%
- Input : 24V DC
- Assembled/made in Canada

<sup>1</sup>Cutting increment: 2" (5 cm).      <sup>3</sup>30% Typical luminous flux reduction  
<sup>2</sup>15% Typical luminous flux reduction      <sup>4</sup>Only available with UD extrusion



The profile UA, UD OR UI stands out due to its versatile areas of application.

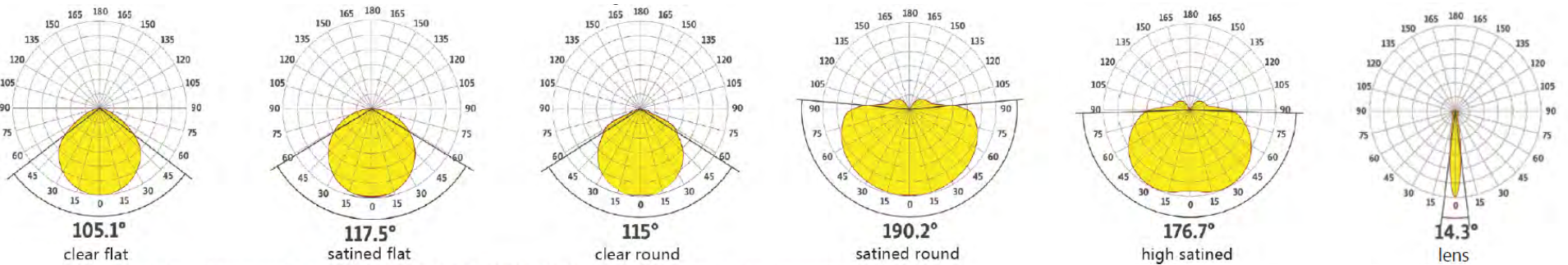
The angle of the profile is adjustable thanks to the round design.

Made from high quality materials, the products convince with their functional design

KOOLED UA UD UI LED LINEAR PROFILE

DIMENSIONS		
KOOLED UA	KOOLED UD	KOOLED UI
Weigh: 0.13lb/ft Height : 7/8" (22mm) Height : 1/2" (9.8mm) Height : 5/8" (16.8mm) Wide : 7/8" (22mm) Max Length : 20' (6m)	Weigh: 0.07lb/ft Height : 1/2" (9mm) Height : 1" (21.8mm) Wide : 1-1/16" (14.5mm) Max Length : 20' (6m)	Weigh: 0.19lb/ft Height : 7/8" (22mm) Height : 1/2" (9.8mm) Height : 5/8" (16.8mm) Wide : 7/8" (22mm) Max Length : 20' (6m)

LIGHT DISTRIBUTION





The round profile RC, RE stands out due to its versatile areas of application.

The angle of the profile is adjustable thanks to the round design.

Made from high quality materials, the products convince with their functional design

KOOLED RC & RE LED LINEAR PROFILE



PRODUCT	LENGTH	LED	COLOR TEMP	CRI	COVER	OPTIC	HOUSING COLOR	ELECTRICAL OUTLET	POWER CORD LENGTH
RC 1-1/4" (32mm) diameter	_____in or mm	8F 8W/M (2.4W/FT) LED FLEX <sup>1</sup>	27 2700 K	80 80 CRI	FC Frosted cover <sup>6</sup>	SP 12 <sup>27</sup>	AN Natural anodized	B Back <sup>8</sup>	3 3FT
		14F 14W/M (4.4W/FT) LED FLEX <sup>1</sup>	30 3000 K	90 90 CRI <sup>5</sup>	CC Clear cover	FL 29 <sup>27</sup>	BKAN Black anodized	S Side <sup>8</sup>	5 5FT
		IP14F 14W/M (4.4W/FT) IP65 LED FLEX <sup>1</sup>	35 3500 K	95 95 CRI <sup>5</sup>	OC Clear cover with hole pattern <sup>7</sup>	WFL 50 <sup>27</sup>	WH White finish RAL 9016		8 8FT
		19F 19.3W/M (5.8W/FT) LED FLEX <sup>2</sup>	40 4000 K	A A Classe	IP IP65 polycarbonate housing	WW 33/13 <sup>27,8</sup>	BK Black finish RAL 9005	10 10FT	
		24F 24W/M (7.3W/FT) LED FLEX <sup>1</sup>	50 5000 K			— Extrusion opening	___ Custom color	12 12FT	
RE 1-1/8" (28mm) diameter <sup>8</sup>		28B 28W/M (8.5W/FT) LED BOARD <sup>3</sup>				___ Custom anodized	EN End	15 15FT	
		24B 24W/M (7.3W/FT) LED BOARD <sup>3,4</sup>						18 18FT	
								20 20FT	

Power cord color	MOUNTING	AIRCRAFT CABLE END FIXING (optional)
G Grey (standard)	SM Surface mount	RC3 2-3/4" round canopy White finish
B Black	S5 Suspension 5'	RC2 2-3/4" round canopy Black finish
W White	S10 Suspension 10'	RC1 2-3/4" round canopy Brushed aluminum finish
C Clear	S15 Suspension 15'	SC3 2-3/4" square canopy White finish
	S20 Suspension 20'	SC2 2-3/4" square canopy Black finish
	IPA IP65 housing antivandel bracket	SC1 2-3/4" square canopy Brushed aluminum finish
	___ Custom arm	BB14 Top Hat Barrel
		EY90°G 90 Eyelet

REMOTE DRIVER: Order as separate part number.	DRIVER DIMMING	VOLTAGE	QTY
DRVR-PROFILE 24VDC / 96W <sup>5</sup>	ADIM 0-10V 5%	3 347V	
DRVR-PROFILE XL 24VDC / 100W	CA Casambi	— 120-277V*	
DRVR-PROFILE-IP67 24VDC / 96W IP67	— None	*standard	



Surface mount Bracket



Round canopy



Anti vandiel bracket

**TECHNICAL PRODUCT SPECIFICATIONS: see back side for dimensions**

- Nominal Efficacy : 108.8 lm/W with 8W/M LED Flex, 261lm/ft.
- Nominal Efficacy : 103.6 lm/W with 14W/M LED Flex, 435lm/ft.
- Nominal Efficacy : 103.6 lm/W with 19.3W/M LED Flex, 600lm/ft.
- Nominal Efficacy : 140 lm/W with 24W/M LED Board, 1022 lm/ft.
- Nominal Efficacy : 139.3 lm/W with 28W/M LED Board, 1190 lm/ft.
- Nominal Efficacy : 124.8 lm/W with 24W/M LED Flex, 913 lm/ft.
- IP65 LED flex rated for wet location.
- KOOLED IP65 plexi tube suitable for wet location
- Reported Life : 50'000 hrs. in accordance with IESNA TM-21-11.
- Lumen maintenance for luminaire LED's tested by LED chip manufacturer in accordance with IESNA LM80-08.
- 5-year warranty on LED light engine, driver and all lighting fixture components.
- LED flex min. cutting increment: 2-3/8" (6 cm), or 2" (5cm) LED board min. cutting increment: 1" (2.5 cm)
- Kooled LED profile made of aluminum extrusion. User-friendly pattern assembly system.
- Dimming 0-10V down to 5%
- Input : 24V DC
- Assembled/made in Canada

<sup>1</sup>Cutting increment: 2" (5 cm) <sup>4</sup>Not available white RE <sup>7</sup>Only available for LED boards 24B, 28B  
<sup>2</sup>Cutting increment: 2-3/8" (6 cm) <sup>5</sup>30% Typical luminous flux reduction <sup>8</sup>Not available for IP65 housing  
<sup>3</sup>Cutting increment: 1" (2.5cm), <sup>6</sup>15% Typical luminous flux reduction

Last update January, 2021

Due to continuous improvements, the information herein may be changed without notice



The round profile RC, RE stands out due to its versatile areas of application.

The angle of the profile is adjustable thanks to the round design.

Made from high quality materials, the products convince with their functional design

KOOLED RC & RE LED LINEAR PROFILE

DIMENSIONS				
KOOLED RC	KOOLED RE	IP65 HOUSING KOOLED RC	IP65 HOUSING KOOLED	IP65 HOUSING ASSAMBLY
Weigth: 0.47b/ft Height : 1-1/8" (28mm) Diameter : 1-1/4 "(32mm) Max length : 20' (6m)	Weigth: 0.19lb/ft Height : 3/4" (18.3mm) Diameter : 7/8 "(22mm) Max length : 20' (6m)	Plexiglass tube Profile RC		



Rolex - Montréal - CAN KOOLED RC, 28W/M LED BOARD, LENS, HIGH CRI 97



SPORTS EXPERTS DIX30 - BROSSARD - CND KOOLED RC, LED flex 19.3W/M







The round profile RA RB stands out due to its versatile areas of application.

The angle of the profile is adjustable thanks to the round design.

Made from high quality materials, the products convince with their functional design

**KOOLED RA & RB** LED LINEAR PROFILE



PRODUCT	LENGTH	LED	COLOR TEMP	CRI	COVER	HOUSING COLOR	ELECTRICAL OUTLET	POWER CORD LENGTH
RA 7/8" (22mm) dia.	_____in or mm	8F 8W/M (2.4W/FT) LED FLEX <sup>1</sup> 14F 14W/M (4.4W/FT) LED FLEX <sup>1</sup> 14F+ 14W/M (4.4W/FT) LED FLEX <sup>1</sup>	27 2700 K 30 3000 K 35 3500 K 40 4000 K 50 5000 K	90 90 CRI 95 95 CRI <sup>2</sup> A A Classe	CF Clear flat CR Clear round FF Frosted flat <sup>3</sup> FC Frosted round diffusor <sup>3</sup>	AN Natural anodized BKAN Black anodized WH White finish RAL 9016 BK Black finish RAL 9005 _____ Custom color _____ Custom anodized	B Back <sup>5</sup>  EN End 	3 3FT 5 5FT 8 8FT 10 10FT 15 15FT 20 20FT 25 25FT
RB 1-1/8" (30mm) dia.		IP14F 14W/M (4.4W/FT) IP65 LED FLEX <sup>1</sup> 19F 19.3W/M (5.8W/FT) LED FLEX <sup>1</sup> 24F 24W/M (7.7W/FT) LED FLEX <sup>1</sup>						

Power cord color	MOUNTING	AIRCRAFT CABLE END FIXING (optional)
G Grey (standard)	SM Surface mount	RC3 2-3/4" round canopy White finish
B Black	S5 Suspension 5'	RC2 2-3/4" round canopy Black finish
W White	S10 Suspension10'	RC1 2-3/4" round canopy Brushed aluminum finish
C Clear	S15 Suspension15'	SC3 2-3/4" square canopy White finish
	S20 Suspension20'	SC2 2-3/4" square canopy Black finish
	IPA IP65 housing antivandel bracket	SC1 2-3/4" square canopy Brushed aluminum finish
	_____ Custom arm	BB14 Top Hat Barrel EY90°G 90 Eyelet

REMOTE DRIVER: Order as separate part number.	DRIVER DIMMING	VOLTAGE	QTY
DRVR-PROFILE 24VDC / 100W <sup>5</sup>	ADIM 0-10V 5%	— 120-277V*	
DRVR-PROFILE-150 24VDC / 150W	— None	*standard	
DRVR-PROFILE-IP67 24VDC / 96W IP67			



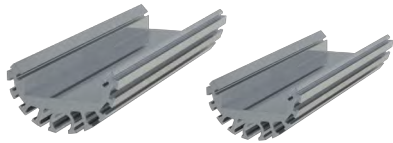
Surface mount Bracket      Round canopy      Suspended, clear power cord

**TECHNICAL PRODUCT SPECIFICATIONS: see back side for dimensions**

- Nominal Efficacy : 108.8 lm/W with 8W/M LED Flex, 261lm/ft.
- Nominal Efficacy : 103.6 lm/W with 14W/M LED Flex, 435lm/ft.
- Nominal Efficacy : 103.6 lm/W with 14W/M LED+ Flex, 655lm/ft.
- Nominal Efficacy : 103.6 lm/W with 19.3W/M LED Flex, 700lm/ft.
- Nominal Efficacy : 124.8 lm/W with 24.8W/M LED Flex, 914 lm/ft.
- IP65 LED flex rated for wet location.
- KOOLED IP65 plexi tube suitable for wet location
- Reported Life : 50'000 hrs. in accordance with IESNA TM-21-11.
- Lumen maintenance for luminaire LED's tested by LED chip manufacturer in accordance with IESNA LM80-08.
- 5-year warranty on LED light engine, driver and all lighting fixture components.
- LED flex min. cutting increment: 2"(5cm)
- Kooled LED profile made of aluminum extrusion. User-friendly pattern assembly system.
- Dimming 0-10V down to 5%
- Input : 24V DC
- Assembled/made in Canada

<sup>1</sup>Cutting increment: 2" (5 cm).      <sup>3</sup>30% Typical luminous flux reduction  
<sup>2</sup>15% Typical luminous flux reduction



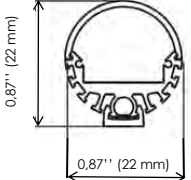
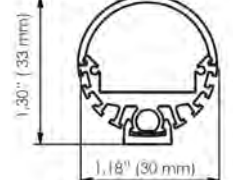
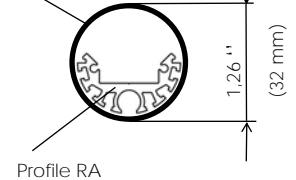
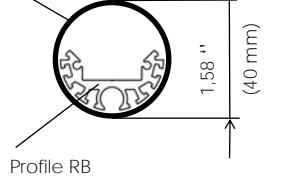
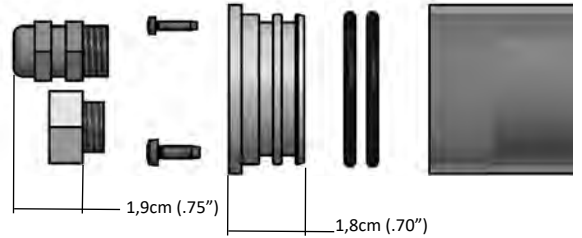


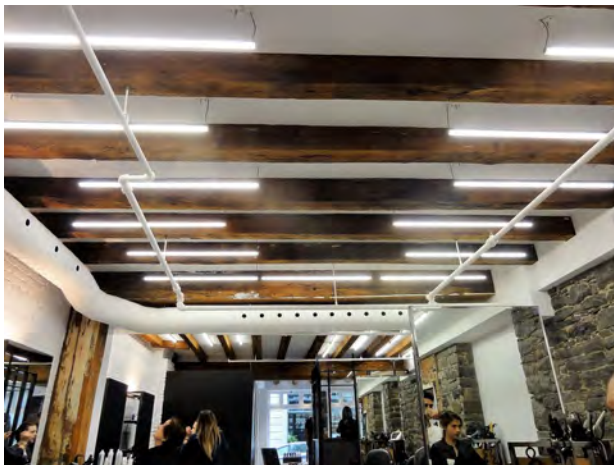
The round profile RA RB stands out due to its versatile areas of application.

The angle of the profile is adjustable thanks to the round design.

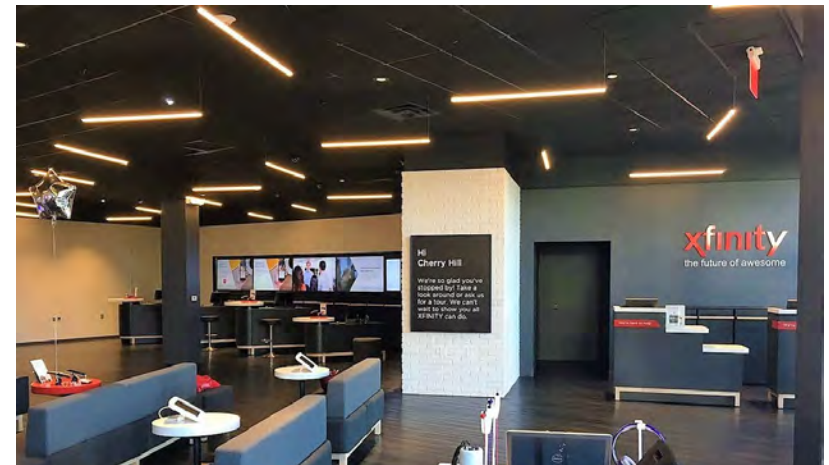
Made from high quality materials, the products convince with their functional design

**KOOLED RA & RB** LED LINEAR PROFILE

DIMENSIONS				
KOOLED RA	KOOLED RB	IP65 HOUSING KOOLED RA	IP65 HOUSING KOOLED RB	IP65 HOUSING ASSAMBLY
Weigth: 0.14lb/ft 	Weigth: 0.25lb/ft 	Plexiglass tube  Profile RA	Plexiglass tube  Profile RB	



Salon Glam - Montréal - CAN



Xfinity - Cherry Hill - USA



CUBE 4" LED SQUARE SURFACE CUBE

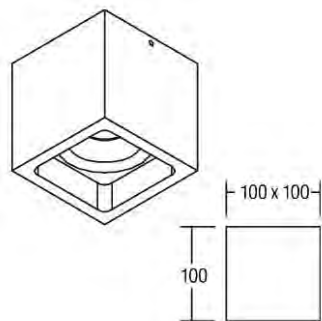
BUILD YOUR CODE



PRODUCT	LUMENS	LED COLOR	CRI	BEAM SPREAD	VOLTAGE	HOUSING COLOR	DIMMING OPTION
CUBE	12 1125 LM (12W)	27 2700 K 30 3000 K 35 3500 K 40 4000 K	84 nominal CRI at 3500k 90 90 CRI min. value	WFL 40°	1 120V 2 277V	WH RAL 9016 white BK RAL 9005 black SL RAL 9006 silver + Custom color	ADIM 0-10V 5% TRIAC Triac dim. Line voltage dim. None *Bluetooth control via Casambi app

DIMENSIONS ON LIGHT CHEAT SHEET :

\*dimension are in mm



- Nominal Efficacy : up to 75 lm/W
- 3-Step MacAdam ellipse color consistency for clean and uniform lighting.
- Lumen maintenance L80/B10 :50 000h ta 25°C
- Failure rate C0/B10 : 50 000h ta 25°C
- Input class 2: 120V. Max settable intrack driver output :115W / 0.14A
- Lumen maintenance for LED's tested by LED chip manufacturer in accordance with IESNA LM80-08.
- 5-year warranty on LED light engine, driver and all lighting fixture components.
- Installation for Damp & dry location only : IP20
- Roughed textured powder-coated paint finish.
- Die-cast aluminum housing construction
- Octagonal junction box installation
- Assembled in Beloeil, QC, Canada

Weight trim: 3.0 lb (1.4 kg)

Height: 4" (100mm)

Width: 4" (100mm)

DELIVERED LUMEN <small>Nominal value at 3500K &amp; 84 CRI</small>															
CCT OPTION	2700K	2700K	2700K	3000K	3000K	3000K	3500K	3500K	3500K	4000K	4000K	4000K	Bread	Meat	Fish
CRI OPTION	80	90	97	80/A	90	97	84	90	A/80	84	90	A/80	80	80	80
MULTIPLIER	.93	.77	.67	.96	.80	.71	1	.83	.78	1.0	0.86	.83	.86	.53	1

Last update 11/15/2022

Due to continuous improvements, the information herein may be changed without notice



**BRUMBERG**

ON LIGHT

**QUBIC** 4" LED SURFACE MOUNT

BUILD YOUR CODE



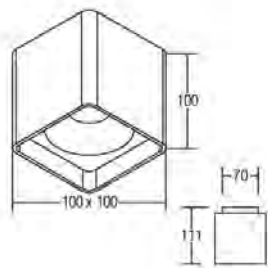
MADE IN

PRODUCT	LUMENS	LED COLOR	CRI	BEAM SPREAD	VOLTAGE	HOUSING COLOR	DIMMING OPTION	MOUNTING
QUBIC	12 1200 LM (15W) 18 1800 LM (19W)	27 2700 K 30 3000 K 35 3500 K 40 4000 K	80 80 CRI	WFL 60°	1 120V 2 277V	WH RAL 9016 white BK RAL 9005 black + Custom color	ADIM 0-10V 5% TRIAC Triac dim. Line voltage dim. None *Bluetooth control via Casambi app	SM Surface mount on octagonal junction box

DIMENSIONS

ON LIGHT CHEAT SHEET :

\*dimension are in mm



- Nominal Efficacy : up to 90 LM/W.
- Dry & Damp location Ingress protection IP20. Applications in wet locations will void warranty.
- Lumen maintenance L80/B10 : 50 000h at 25°C.
- Lumen maintenance for LED's tested by LED chip manufacturer in accordance with IESNA LM80-08.
- 5-year warranty on LED light engine, driver and all lighting fixture components.
- Input class 2: 25W / 120V.
- Die-cast aluminum housing construction.
- Certified to US and Canadian safety standards.
- Roughed textured powder-coated paint finish.
- On Octagonal junction box installation
- Luminaires are assembled in Beloeil, Canada.

Weight trim: 4-3/8" (111mm)

Height: 3-15/16" (100x100mm)

DELIVERED LUMEN <i>Nominal value at 3500K &amp; 84 CRI</i>															
CCT OPTION	2700K	2700K	2700K	3000K	3000K	3000K	3500K	3500K	3500K	4000K	4000K	4000K	Bread	Meat	Fish
CRI OPTION	80	90	97	80/A	90	97	84	90	A/80	84	90	A/80	80	80	80
MULTIPLIER	.93	.77	.67	.96	.80	.71	1	.83	.78	1.0	0.86	.83	.86	.53	1

Last update 11/15/2022

Due to continuous improvements, the information herein may be changed without notice



CYLINDER 4" LED SURFACE MOUNT CYLINDER



ON LIGHT

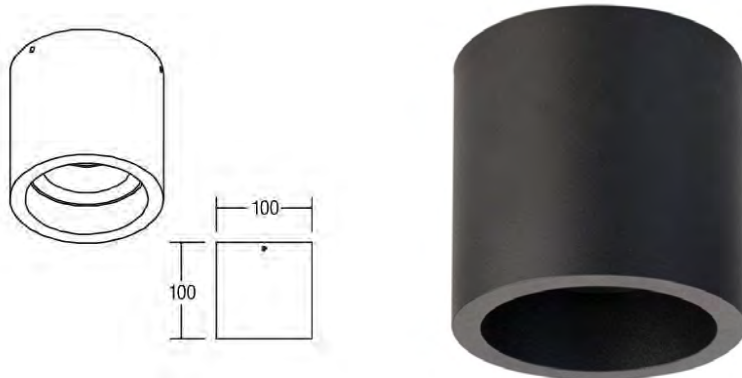
BUILD YOUR CODE

PRODUCT	LUMENS	LED COLOR	CRI	BEAM SPREAD	VOLTAGE	HOUSING COLOR	DIMMING OPTION	ADAPTER
CILINDER	12 1125 LM (12W)	27 2700 K 30 3000 K 35 3500 K 40 4000 K	80 nominal CRI at 3500k	WFL 40°	1 120V 2 277V	WH RAL 9016 white BK RAL 9005 black + Custom color	ADIM 0-10V 5% TRIAC Triac dim. Line voltage dim. None	PWH 5" round adapter white finish PBK 5" round adapter black finish * adapter plate for between octagonal junction box.

DIMENSIONS

ON LIGHT CHEAT SHEET :

\*dimension are in mm



- Nominal Efficacy : up to 75 lm/W
- 3-Step MacAdam ellipse color consistency for clean and uniform lighting.
- Lumen maintenance L80/B10 : 50 000h ta 25°C
- Failure rate C0/B10 : 50 000h ta 25°C
- Input class 2: 120V. 12W
- Lumen maintenance for LED's tested by LED chip manufacturer in accordance with IESNA LM80-08.
- 5-year warranty on LED light engine, driver and all lighting fixture components.
- Installation for Damp & dry location only : IP20
- Octagonal junction box installation with 5" round adapter plate between junction box and luminaire.
- Roughed textured powder-coated paint finish.
- Die-cast aluminum housing construction.
- Assembled in Beloeil, QC, Canada

Weight trim: 3 lb (1.4 kg)

Height: 4" (100mm)

Width: 4" (100mm)

DELIVERED LUMEN <small>Nominal value at 3500K &amp; 84 CRI</small>															
CCT OPTION	2700K	2700K	2700K	3000K	3000K	3000K	3500K	3500K	3500K	4000K	4000K	4000K	Bread	Meat	Fish
CRI OPTION	80	90	97	80/A	90	97	84	90	A/80	84	90	A/80	80	80	80
MULTIPLIER	.93	.77	.67	.96	.80	.71	1	.83	.78	1.0	0.86	.83	.86	.53	1

Last update 11/15/2022

Due to continuous improvements, the information herein may be changed without notice



KEGON 4" LED CYLINDER

BUILD YOUR CODE

BRUMBERG

ON LIGHT



MADE IN

PRODUCT	LUMENS	LED COLOR	CRI	BEAM SPREAD	VOLTAGE	HOUSING COLOR	DIMMING OPTION	MOUNTING
KEGON	12 1200 LM (11W) 18 1800 LM (17W) 26 2600 LM (22W)	27 2700 K 30 3000 K 35 3500 K 40 4000 K	80 80 CRI	WFL 40°	1 120V 2 277V	WH RAL 9016 white BK RAL 9005 black + Custom color	ADIM 0-10V 5% TRIAC Triac dim. Line voltage dim. None *Bluetooth control via Casambi app	SM Surface mount on octagonal junction box S5 Suspended 5ft S10 Suspended 10ft

DIMENSIONS

ON LIGHT CHEAT SHEET :

\*dimension are in mm



- Nominal Efficacy : up to 90 LM/W.
- Dry & Damp location Ingress protection IP20. Applications in wet locations will void warranty.
- Lumen maintenance L80/B10 : 50 000h at 25°C.
- Lumen maintenance for LED's tested by LED chip manufacturer in accordance with IESNA LM80-08.
- 5-year warranty on LED light engine, driver and all lighting fixture components.
- Input class 2: 22W / 120V.
- Die-cast aluminum housing construction.
- Certified to US and Canadian safety standards.
- Roughed textured powder-coated paint finish.
- On Octogonal junction box installation
- Luminaires are assembled in Beloeil, Canada.

Weight trim: 3 lb (1.4 kg)

Height: 5-1/8" (130mm)

4-1/4" (108mm)

DELIVERED LUMEN <small>Nominal value at 3500K &amp; 84 CRI</small>															
CCT OPTION	2700K	2700K	2700K	3000K	3000K	3000K	3500K	3500K	3500K	4000K	4000K	4000K	Bread	Meat	Fish
CRI OPTION	80	90	97	80/A	90	97	84	90	A/80	84	90	A/80	80	80	80
MULTIPLIER	.93	.77	.67	.96	.80	.71	1	.83	.78	1.0	0.86	.83	.86	.53	1

Last update 11/15/2022

Due to continuous improvements, the information herein may be changed without notice





Adjustability : swiveling angle 90° head adjustable : 180°

**BRUMBERG**

ON LIGHT

CIRCLE R 4" LED ADJUSTBLE SURFACE MOUNT CYLINDER



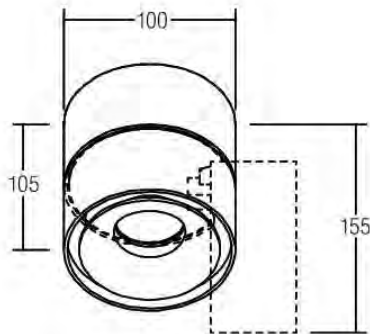
MADE IN CANADA

CIRCLE S																			
BUILD YOUR CODE																			
PRODUCT	LUMENS		LED COLOR		CRI		BEAM SPREAD		VOLTAGE		HOUSING COLOR		DIMMING OPTION		ADAPTER				
CIRCLE S	12	1200 LM (11W)	27	2700 K	80	80 CRI	WFL	34°	1	120V	WH	RAL 9016 white		ADIM	0-10V 5%		PWH	5" round adapter white finish	
	18	1800 LM (17W)	30	3000 K					2	277V	BK	RAL 9005 black		TRIAC	Triac dim.		PBK	5" round adapter black finish	
			35	3500 K							+	Custom color			Line voltage dim.		* adapter plate for between octagonal junction box.		
			40	4000 K											None				
																*Bluetooth control via Casambi app			

DIMENSIONS

ON LIGHT CHEAT SHEET :

\*dimension are in mm



- Nominal Efficacy : up to 90 LM/W.
- Dry & Damp location Ingress protection IP20. Applications in wet locations will void warranty.
- Lumen maintenance L80/B10 : 50 000h at 25°C.
- Lumen maintenance for LED's tested by LED chip manufacturer in accordance with IESNA LM80-08.
- 5-year warranty on LED light engine, driver and all lighting fixture components.
- Input class 2: 17W / 120V.
- Die-cast aluminum housing construction.
- Certified to US and Canadian safety standards.
- Roughed textured powder-coated paint finish.
- Octagonal junction box installation with 5" round adapter plate between junction box and luminaire.
- Adjustability : swiveling angle 90° head adjustable : 180°
- Luminaires are assembled in Beloeil, Canada.

Weight trim: 3 lb (1.4 kg)

Height: 4-1/4" (105mm) to 6-1/8" (155mm) Diameter: 4"(100mm)

DELIVERED LUMEN <small>Nominal value at 3500K &amp; 84 CRI</small>															
CCT OPTION	2700K	2700K	2700K	3000K	3000K	3000K	3500K	3500K	3500K	4000K	4000K	4000K	Bread	Meat	Fish
CRI OPTION	80	90	97	80/A	90	97	84	90	A/80	84	90	A/80	80	80	80
MULTIPLIER	.93	.77	.67	.96	.80	.71	1	.83	.78	1.0	0.86	.83	.86	.53	1

Last update 11/15/2022

Due to continuous improvements, the information herein may be changed without notice



Adjustability : swiveling angle 90° head adjustable : 180°

**BRUMBERG**

ON LIGHT

CIRCLE S 5" LED ADJUSTBLE SURFACE MOUNT CYLINDER



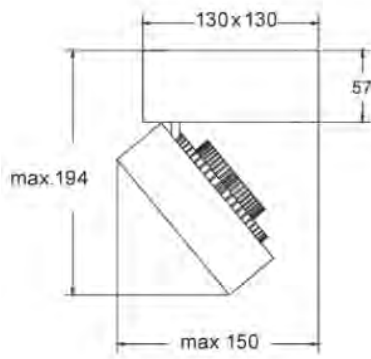
MADE IN

PRODUCT	LUMENS	LED COLOR	CRI	BEAM SPREAD	VOLTAGE	HOUSING COLOR	DIMMING OPTION
CIRCLE S	12 1200 LM (11W) 18 1800 LM (17W) 26 2600 LM (22W)	27 2700 K 30 3000 K 35 3500 K 40 4000 K	80 80 CRI	WFL 40°	1 120V 2 277V	WH RAL 9016 white BK RAL 9005 black + Custom color	ADIM 0-10V 5% TRIAC Triac dim. Line voltage dim. None <small>*Bluetooth control via Casambi app</small>

DIMENSIONS

ON LIGHT CHEAT SHEET :

\*dimension are in mm



- Nominal Efficacy : up to 90 LM/W.
- Dry & Damp location Ingress protection IP20. Applications in wet locations will void warranty.
- Lumen maintenance L80/B10 : 50 000h at 25°C.
- Lumen maintenance for LED's tested by LED chip manufacturer in accordance with IESNA LM80-08.
- 5-year warranty on LED light engine, driver and all lighting fixture components.
- Input class 2: 22W / 120V.
- Die-cast aluminum housing construction.
- Certified to US and Canadian safety standards.
- Roughed textured powder-coated paint finish.
- Surface mount luminaire on standard octagonal box.
- Adjustability : swiveling angle 90° head adjustable : 180°
- Luminaires are assembled in Beloeil, Canada.

Weight trim: 3 lb (1.4 kg)

Height: 4-1/4" (107mm)

Width: 5-1/8"x 5-1/8" (130x130mm)

DELIVERED LUMEN <small>Nominal value at 3500K &amp; 84 CRI</small>															
CCT OPTION	2700K	2700K	2700K	3000K	3000K	3000K	3500K	3500K	3500K	4000K	4000K	4000K	Bread	Meat	Fish
CRI OPTION	80	90	97	80/A	90	97	84	90	A/80	84	90	A/80	80	80	80
MULTIPLIER	.93	.77	.67	.96	.80	.71	1	.83	.78	1.0	0.86	.83	.86	.53	1

Last update 11/15/2022

Due to continuous improvements, the information herein may be changed without notice



Damp-proof luminaire with push-fix lampholder, IP 65, seamless enclosed tubular housing made of white, fibre-glass reinforced, low flammability, in most cases resistant against acids and alkalis polyester resin. One-piece lampholder end pieces made of PBT. Short ageing-resistant silicone seals. variable mounting points by PRACHT CLIP SYSTEM made of stainless steel, suited for ceiling, pendant and horizontal wall mounting.

**PRACHT®**

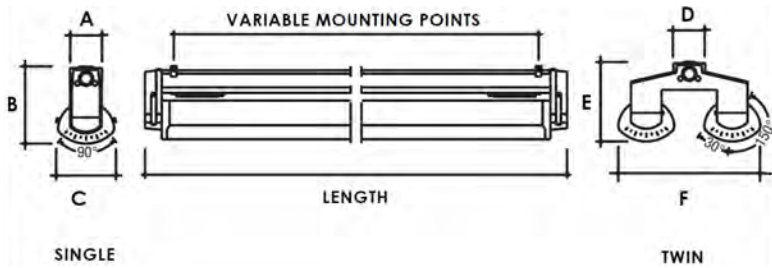
ON LIGHT

APOLLO LED LINEAR INDUSTRIAL LIGHT



DIMENSIONS

TECHNICAL PRODUCT SPECIFICATIONS



APOLLO LENGTH	WEIGHT SINGLE	WEIGHT TWIN
3 ft (971mm)	4.6 lb (2.1 kg)	5.3 lb (2.4 kg)
4 ft (1242mm)	6.2lb (2.8 kg)	7.1 lb (3.2 kg)
5 ft (1542mm)	7.7lb (3.5 kg)	8.8 lb (4.0 kg)

A	2.36" (60mm)	D	2.36" (60mm)
B	5.90" (150mm)	E	5.90" (150mm)
C	4.45" (113mm)	F	9.84" (250mm)



- Nominal Efficiency : 160 lm/W
- Reported Life : 50'000 hrs.
- Unified Glare Rating UGR on request only :available for each lumen output.
- Protection class SK: II
- 5-year warranty on LED light engine, driver and all lighting fixture components.
- Optic : with swivel reflector
- L80/B10 Life expectancy at 25°: 62000hrs / L70/B50 Life expectancy at 25°: 10000hrs
- Ingress protection class : 65
- IK-Impact resistance : 08
- Driver output is Class 2 rated
- Suitable for wet location // Ingress protection : IP 65
- Housing material : Alloy steal
- Cover material : made of frosted Prachtopal. Only 5% light loss.
- 3-Step MacAdam ellipse color consistency for clean and uniform lighting.
- PRACHT CLIP SYSTEM made of stainless steel allow variable mounting points. Suited for ceiling, pendant and horizontal wall mounting.
- Housing optic : parabolic mirror reflector made of prachtopal, swiveling.
- Color rendering index (CRI) > 80
- Color tolerance (MacAdam) SDCM 3
- Dimming option: 0-10V 3% dimming Dali dimming 1%



Damp-proof luminaire with push-fix lampholder, IP 65, seamless enclosed tubular housing made of white, fibre-glass reinforced, low flammability, in most cases resistant against acids and alkalis polyester resin. One-piece lampholder end pieces made of PBT. Short ageing-resistant silicone seals. variable mounting points by PRACHT CLIP SYSTEM made of stainless steel, suited for ceiling, pendant and horizontal wall mounting.

**PRACHT®**

ON LIGHT

**APOLLO** LED LINEAR INDUSTRIAL LIGHT



PRODUCT	DELIVRED LUMEN & LENGTH	LENGHT	LED COLOR	BEAM SPREAD	VOLTAGE	DIMMING OPTION	MOUNTING	ENVIRONMENT	OPTIONS
APOLLO	115 1 LED REFLECTOR 1975 LM (15W) 121 1 LED REFLECTOR 2789 LM (21W) 126 1 LED REFLECTOR 3579 LM (26W) 132 1 LED REFLECTOR 4265 LM (32W) 215 2 LED REFLECTOR 3949 LM (30W) 221 2 LED REFLECTOR 5579 LM (42W) 226 2 LED REFLECTOR 7157 LM (52W) 232 2 LED REFLECTOR 8531 LM (64W)	3 3ft	30 3000 K 35 3500 K 40 4000 K 50 5000K	SB SLIM BEAM (30°) NV NARROW BEAM (65°) MB MEDIUM BEAM (75°) WB WIDE BEAM (90°)	1 120V 2 277V 3 347V	ADIM 0-10V Dim. DALI Dali CA Casambi — None	SM Surface mounted SB Standard bracket for Stem or Aircraft cable. ACM Aircraft cable mount 10ft ACM15 Aircraft cable mount 15ft ACM20 Aircraft cable mount 20ft	LT Low temperature to - 40°C HT High temperature to + 65°C* WL Suitable for wet loaction — Standard -20°C to + 35°C	CRM Continuous row mounting MC Motion control sensor DL Day light sensor — None
	119 1 LED REFLECTOR 2700 LM (19W) 125 1 LED REFLECTOR 3800 LM (25W) 133 1 LED REFLECTOR 4800 LM (33W) 140 1 LED REFLECTOR 5700 LM (40W) 156 1 LED REFLECTOR 8127 LM (56W) 219 2 LED REFLECTOR 5400 LM (38W) 225 2 LED REFLECTOR 7600 LM (50W) 233 2 LED REFLECTOR 9600 LM (66W) 240 2 LED REFLECTOR 11400 LM (80W) 256 2 LED REFLECTOR 16254 LM (112W) 270 2 LED REFLECTOR 20000 LM (140W)	4 4ft						*Max lumen output available for high temperature with 4ft : 10200LM (2x 40W)	
	132 1 LED REFLECTOR 4700 LM (32W) 140 1 LED REFLECTOR 6000 LM (40W) 150 1 LED REFLECTOR 7200 LM (50W) 170 1 LED REFLECTOR 10159LM (70W) 188 1 LED REFLECTOR 12348 LM (88W) 232 2 LED REFLECTOR 9400 LM (64W) 240 2 LED REFLECTOR 12000 LM (80W) 250 2 LED REFLECTOR 14400 LM (100W) 270 2 LED REFLECTOR 20317 LM (140W) 280 2 LED REFLECTOR 23360 LM (160W) 288 2 LED REFLECTOR 24909 LM (176W)	5 5ft						*Max lumen output available for high temperature with 5ft : 11900LM (2x 46W)	

Do you need a different wattage, color temperature, housing color? Specific challenges? No problem. We deliver customized solutions.



Applications: This durable, moisture-proof luminaire is ideal for locations where humidity and dust is a constant challenge. The seamless tubular housing allows easy cleaning of the fixture while providing excellent light control and high efficiency. Tubis is a good choice for heavy industrial/food processing facilities, pools and parking's.

**PRACHT®**

ON LIGHT

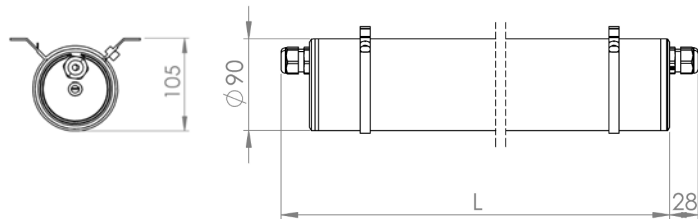
**TUBIS** LED LINEAR INDUSTRIAL LIGHT

**Do you need a different color temperature? Specific challenges? No problem. We deliver customized solutions.**



TUBIS	DELIVERED LUMEN	LENGTH	LED COLOR	BEAM SPREAD	VOLTAGE	HOUSING	DIMMING OPTION	MOUNTING	LOCATION	OPTIONS
TUBIS	116 1 LED ROW 2266 LM (16W) 120 1 LED ROW 2695 LM (20W)	2.3 2.3ft	30 3000 K 35 3500 K	SP SPOT LENS (12°) <sup>1</sup> WW WALL WASH LENS(33°/13°) <sup>1</sup>	1 120V 2 277V	PO Prachtopal® PC Polycarbonate	ADIM 0-10V 5% ADIM+ 0-10V 0.1% <sup>3</sup>	SSC Stainless steel clip single-sided Hinge SPM Single point mount hinged on one side.	65 IP65 68 IP68/IP69K	CRM Continuous row mounting
	128 1 LED ROW 4500 LM (28W) 144 1 LED ROW 6500 LM (44W) 230 2 LED ROW 9600 LM (60W) 134 1 LED ROW 3900 LM (34W) <sup>1</sup> 234 2 LED ROW 7800 LM (68W) <sup>1</sup>	4 4ft	40 4000 K 50 5000K 65 6500K	FL FLOOD LIGHT LENS (29°) <sup>1</sup> WFL WIDE F. LIGHT LENS (50°) <sup>1</sup> MB MEDIUM BEAM REFL.(90°) <sup>1</sup> WB WIDE BEAM. (135°) <sup>2</sup>	3 347V	SG Silicate Glass *made of acrylic	DA Dall <sup>3</sup> CA Casamb <sup>3</sup> — None	SOC Snap-on clamps, hinged on one side. PS Stainless steel mounting clamps for pendant suspension	F Farmer HT UP TO 50°C* LT DOWN TO -40°C	SEC Stainless steel end caps for protection CSB Custom length stainless steel bracket — None
	135 1 LED ROW 5600 LM (35W) 154 1 LED ROW 8000 LM (54W) 226 2 LED ROW 8100 LM (52W) 142 1 LED ROW 4900 LM (42W) 242 2 LED ROW 9800 LM (84W) <sup>1</sup> MORE OPTIONS ON REQUEST*	5 5ft		<sup>1</sup> Only available with 134, 234, 142, 242 delivered lumen option <sup>2</sup> Standard			<sup>3</sup> not available with 347V		* MAX 10W/FT	

DIMENSIONS



Length	2ft	4ft	5ft
Weight :	2.3 KG (5LB)	3.5 KG (7.7LB)	4 KG (8.8LB)
Length :	725mm (28.5in)	1285mm (50.6in)	1565mm (61.6in)
Diameter :	90mm (3.54in)	90mm (3.54in)	90mm (3.54in)

HOUSING	Seamless tubular housing made of polycarbonate (PC, impact-resistant) or Prachtopal® (PMMA, impact-resistant), essentially against acids and alkalis.
MOUNTING	Surface mounted luminaire suited for ceiling, pendant, horizontal under 4 ft and vertical wall mounting. Variable mounting points using custom-made tube stainless steel clips
CERTIFICATION	CSA certified to US and Canadian safety standards. LED Light Engine tested by LED chip manufacturer in accordance with IESNA LM-80-08. Lighting Facts qualified.
LED ENGINE	CRI 80+ MAC ADAM 3/90 CRI on request. L80/B10 up to 100000 hrs at 25°C L70/B50 100000 hrs at 25°C.
WARRANTY	5-year comprehensive system warranty (LED Light Engine, LED Driver and luminaire parts).
BACK TO LIFE	Luminaire can be refurbished and if available with new a generation of led and driver.
EFFICACY	Efficacy : Up to 160 lm/W
SEALS	Short, age-resistant silicone seals.
FOOD	Certified (IFS) International food standard, NFS certification available on request.
IK PROTECTION	IK 08 with Prachtopal (acrylic) housing IK06 with polycarbonate housing.
LED DRIVER	Driver output is Class 2 rated
CAP LOCK	IP68 (include IP66) cap lock suitable for wet locations or IP65 cap lock for condensation extraction.
RESISTANCE	Resistant against chlorine, acid, lye, ammoniac gazes
FARMER	Optimized for livestock farming, substantially acid and alkali resistant.
TEMPERATURE	High temperature environment up to 50°C / Low temperature environment down to -40°C
MADE IN CANADA	Luminaires are assembled under in Canada, Beloeil

APPLICATIONS

Washing bays, made for high pressure hose cleaning, industry, high humidity areas, facade illumination, unprotected outdoor areas, parking lots, farming industry, food industry, truck pit, swimming pool with high chlorine, slaughter house, tunnels, etc.







LED High Bay with single pane safety glass lamp cover, housing made of die cast aluminium, white coating, converter mounted on the housing, electrical connection through fast plugin, short, ageing-resistant silicone seals, twopoint mounting with suspension (2000 mm), easy to assemble, tool-free, rapid adjustment, pendant mounting, mounting brackets for optional wall or ceiling mounting.

**PRACHT®**

ON LIGHT

**QUADRONIUS** LED INDUSTRIAL HIGH BAY

BUILD YOUR CODE

PRODUCT	DELIVERED LUMEN	LED COLOR	BEAM SPREAD	VOLTAGE	LAMP COVER	DIMMING OPTION	LOCATION	SURGE PROTECTION
QUADRONIUS	197 1x LED 15000 LM (97W)	30 3000 K	AS ASYMMETRIC (0°)	1 120V	SG ESG Safty glass	ADIM 0-10V 5%.	FD Food	4KV DM 4KV
	1137 1x LED 20000 LM (137W)	35 3500 K	EA EXTREM ASYMMETIRC (00°)	2 277V	PC Polycarbonate	DAlI Dali	SP Swimming pool	6KV DM 6KV
	297 2x LED 30000 LM (194W)	40 4000 K	MB MEDIUM BEAM (60°)	3 347V	PL Prismatic cover (PMMA)	PWM PWM dim	FR Farmer	10KV CM 10KV
	2137 2x LED 40000 LM (274W)	50 5000K	MW MEDIUM WIDE BEAM (90°)			CA Casambi	HT High T. to 70°C¹	
		65 6500K	WB WIDE BEAM (120°)			— None	LT Low T. to -40°C	
							WT Wet location IP66	
							— Standard IP65	

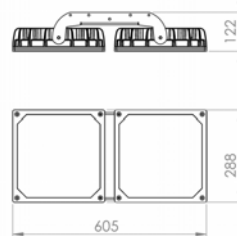
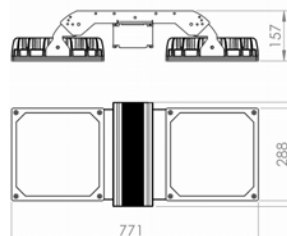
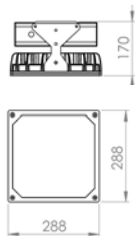
ACCESSORIES <i>Order as separate part</i>	
WM	Wall mount bracket
CM	Ceiling mount bracket
ACM	Aircraft cable mount 10ft
ACM15	Aircraft cable mount 15ft
ACM20	Aircraft cable mount 20ft
EB	Emergency batteries
MC	Motion control sensor
DL	Day light sensor

¹HT location max 1x97W or 2x97W

Do you need a different color temperature, lumen package housing color? Specific challenges? No problem. We deliver customized solutions.

DIMENSIONS

SPECIFICATIONS



**HOUSING** White finish (RAL9010) Die cast high quality aluminium housing. Other housing color available.

**LAMP COVER** Single or double pane made of Safty glass. Prismatic lens (PMMA) or Polycarbonate.

**MOUNTING** Surface mounting, wall mounting or suspended.

**CERTIFICATION** Certified to US and Canadian safety standards.

**LED ENGINE** CRI 80+ 3 MAC ADAM

**L80/B10** L80/B10 up to 78'000hrs on certain models.

**L70/B50** L70/B50 up to 100'000hrs. on certain models.

**WARRANTY** 5-year comprehensive system warranty (LED Light Engine, LED Driver and luminaire parts).

**BACK TO LIFE** Luminaire can be refurbished and if available with new a generation of LED and driver.

**EFFICACY** Efficacy : Up to146 lm/W

**SEALS** Short, ageing-resistant silicone seals.

**FOOD** International food standard (IFS) NFS on request.

**IK PROTECTION** IK 08

**LED DRIVER** Driver output is Class 1 rated

**WET LOCATION** Suitable for wet locations IP66

**FARMER** Optimized for livestock farming, substantially acid and alkali resistant.

**ENVIRONMENT** High temperature environment up to 70°C / low temperature environment down to -40°C

**MADE IN CANADA** Luminaires are assembled in Canada, Beloeil

Comfigurations	Single pane	Double pane Dim.	Double pane
Weight :	8 KG (18LB)	14 KG (31LB)	12 KG (26.4LB)
Length :	288mm (11.3in)	668mm (26.3in)	605mm (24in)
Width :	288mm (11.3in)	324mm (12.8in)	288mm (11.3in)
Height :	170mm(6.7in)	157mm (6.2in)	122mm (4.8in)



# COMO BL LED High Bay



## Construction

LED high bay in compact circular design with integrated driver unit, optimized covering lens made of polycarbonate for glare limitation, housing made of aluminium alloy, white powdercoating, short ageing-resistant silicone seals, mounting with eyelet suspension, wall and ceiling mounting possible with extra accessory, without through-wiring.

## Capacity

L80/B10 Life expectancy at 25°C 100'000 hours.  
 L70/B50 Life expectancy at 25°C 100'000 hours  
 Interchangeable lens system  
 Impact resistance IK 08  
 0-10V dimming 10% is standard  
 Color tolerance MacAdam 5  
 CRI 80 +

## Listing

ETL certification  
 DLC package, DLC Premium  
 Ingress protection class 65  
 Running temperature - 40° C to + 50° C  
 Suitable for damp location only  
 Impact resistance IK 08

## Glare limitation

100W WB unified glare rating : UGR 4H 8H C0 C90 : **28.2/28.4**  
 150W MB unified glare rating : UGR 4H 8H C0 C90 : **18.1/18.2**  
 150W WB unified glare rating : UGR 4H 8H C0 C90 : **27.4/27.6**  
 200W MB unified glare rating : UGR 4H 8H C0 C90 : **18.9/19.0**

## Material

Housing material made of aluminium  
 White finish RAL 9003 or Black finish RAL 9005

## WARRENTY

5-years limited warranty

## Installation

Suspended : chain mount, aircraft cable mount  
 Bracket for Surface or wall mount

## Electrical

Voltage rated : 100-277V  
 COMO BL 100: max. Watt input: 103W  
 COMO BL 150: max. Watt input: 158W  
 COMO BL 200: max. Watt input: 212W

Catalogue Number	
Notes	
Type	

IP 65



4010428

Intertek



STOCKED PRODUCT	MODEL	DLC QPL PRODUCT ID	DLC PREMIUM
COMO BL 100 35K WB 120 WH	-	-	Coming soon
COMO BL 100 40K WB 120 WH	U9600012	PLMXEFEC96PZ	Yes
COMO BL 150 40K MB 120 WH	U9600212	PLKYHOUUEEBIB	Yes
COMO BL 150 40K WB 120 WH	U9610212	PLF5143DFRZL	Yes
COMO BL 200 40K MB 120 WH	U9600112	PLJY9XMB0UWA	Yes
COMO BL 200 40K WB 120 WH	U9610112	PLC7HKCG3AME	Yes

Last update 2021-03-04

Due to continuous improvements, the information herein may be changed without notice. The right of error is reserved

# COMO BL LED High Bay

BILD YOUR CODE

Example : COMO BL 150 40 MB 1 WH

Series	Lumen	Color temperature	Light distribution	Volatge	Finish
<b>COMO BL</b>	<b>100</b> 12" dia. 12000 lumen 100W	<b>30</b> 3000 K <sup>1</sup>	<b>MB</b> Medium beam 60° <sup>2</sup>	<b>1</b> 120-277V	<b>WH</b> White finish
	<b>150</b> 16" dia. 24000 lumen 150W	<b>35</b> 3500 K <sup>1</sup>	<b>WB</b> Wide beam 100°	<b>3</b> 347V <sup>3</sup>	<b>BK</b> Black finish <sup>4</sup>
	<b>200</b> 16" dia. 30000 lumen 200W	<b>40</b> 4000 K			

<sup>1</sup>standard with 100W option. On special order for 150W & 200W

<sup>2</sup>only available with 150W & 200W.

<sup>3</sup>with remote 347V-240V step down

<sup>4</sup>on special order only

## Accessories: Order as separate part number.

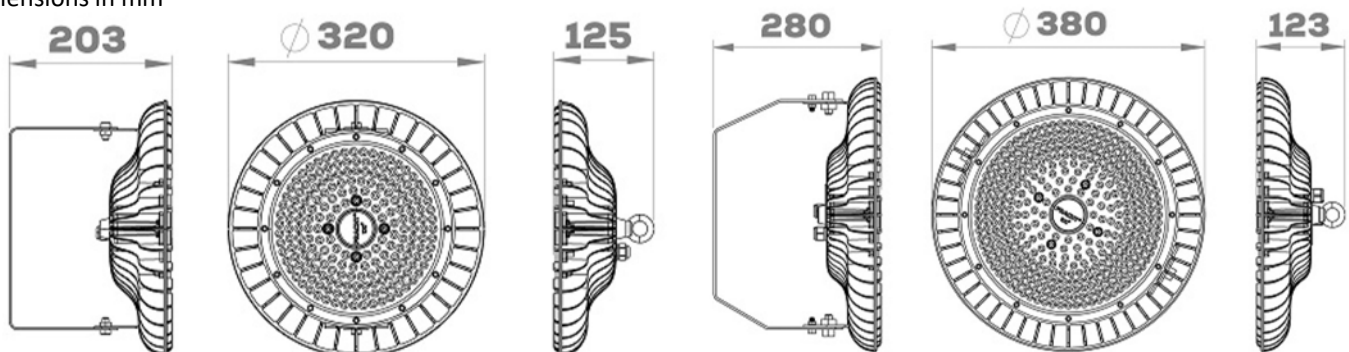
BM	Bracket mount	ACM5	1 adjustable aircraft cable 60"
HC48	Hanger chain, 48"	ACM10	1 adjustable aircraft cable 120"
RSD	Remote step down 347V to 240V with 10ft power cord for in between.	ACM20	1 adjustable aircraft cable 240"
QC- ___'	Quick connector between high bay and add. custom length power cord.	SC120	Safety cable 120"
		SC240	Safety cable 240"

## DIMENSIONS AND WEIGHT

PRODUCT	SIZE	WEIGHT	SINGLE PACKING WEIGHT	SINGLE PACKING	PALLET SIZE
COMO BL 100	320mm	5.7 lb (2.6kg)	7 lb (3.2kg)	38 cm x 38 cm x 17 cm 15" x 15" x 6.8"	Qty 108 : 45" x 45" x 85"
COMO BL 150	380mm	9 lb (4.1kg)	10.3 lb (4.7kg)	44cm x 44 cm x 17 cm 15" x 15" x 6.8"	Qty 72 : 35" x 52" x 85"
COMO BL 200	380mm	9.2 lb (4.2kg)	10.6 lb (4.8kg)	44cm x 44 cm x 17 cm 17.3" x 17.3" x 6.8"	Qty 72 : 35" x 52" x 85"

COMO BL 100	COMO BL 150 & 200
-------------	-------------------

\*dimensions in mm





# KATLA BL LED Linear



ON LIGHT

## Construction

LED profile luminaire made of slim, translucent, opal polycarbonate (IK08, impact resistant). Short, ageing-resistant seals, variable mounting points through PRACHT-CLIP-SYSTEM (stainless steel), suitable for ceiling, pendant and mounting rail installation.

Catalogue Number	
Notes	
Type	

## Capacity

L80/B10 Life expectancy at 25°C 50'000 hours.

L70/B50 Life expectancy at 25°C 50'000 hours

0-10V dimming 10% is standard

Color tolerance MacAdam 5

CRI 80 +

## Listing

UL certification

DLC package, DLC Premium

Ingress protection class 65

Runing temperature - 20° C to + 35° C

Suitable for damp location only

Impact resistance IK 08

KATLA BL 45 up to 130.3LM/W

KATLA BL 54 up to 128.4LM/W

## Glare limitation

4ft WB unified glare rating : UGR 4H 8H C0 C90 : **26.2/24.7**

5ft WB unified glare rating : UGR 4H 8H C0 C90 : **26.7/24.5**

## Material

Housing material made of extruded PC-Polycarbonat

White finish

Brackets made of stainless steel (included).

## WARRENTY

5-years limited warranty

## Installation

Surface mounted

Suspended : chain mount, aircraft cable mount

## Electrical

Voltage rated : 100-277V

4ft 45: max. Watt input: 42.7W

5ft 54: max. Watt input: 51.1W

IP 65



STOCKED PRODUCT	MODEL	DLC QPL PRODUCT ID	DLC PREMIUM
KATLA BL 45 40K WB 120 WH	U5211014	WWWXMZ	YES
KATLA BL 54 40K WB 120 WH	U5211015	WWWXMY	YES

# KATLA BL LED Linear

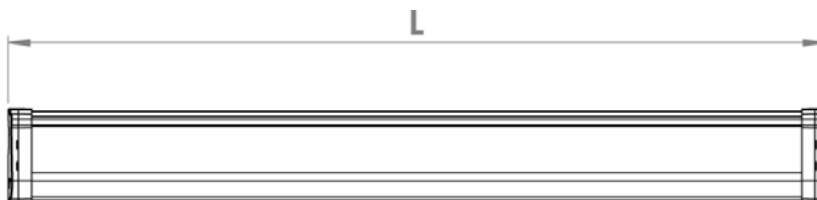
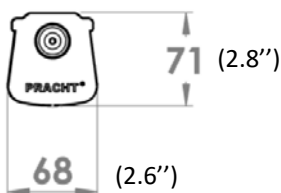
BILD YOUR CODE

Example : KATLA BL 54 40 WB 1 WH

PRODUCT	DELIVERED LUMEN	LED COLOR	BEAM SPREAD	VOLTAGE	FINISH
KATLA BL	45 4' (1204) length 5800 lumens 45W	40 4000 K	WB Wide beam 120°	1 120-277V	WH White finish
	54 5' (1540) length 7000 lumens 54W				

Accessories: Order as separate part number.					
RSD	Remote step down 347V to 240V with 10ft power cord for in between.	ACM5	1 adjustable aircraft cable 60"		
PWC- ___'	Custom length 300V neoprene power cord.	ACM10	1 adjustable aircraft cable 120"		
		ACM20	1 adjustable aircraft cable 240"		

## DIMENSIONS AND WEIGHT



PRODUCT	KATLA BL 45	KATLA BL 54
WEIGHT :	1.1 kg (2.42lb)	1.2kg (6.64lb)
SIZE	68mm x 71mm (2.68"x2.80")	68mm x 71mm (2.68"x2.80")
LENGTH	1204mm (4ft)	1540mm (5ft)
PACKING WEIGHT	1.4 kg (3.1lb)	1.5 kg (3.3lb)
SINGLE PACKING	73mm x 76mm x 1290mm 2.9" x 3.0" x 51"	73mm x 76mm x 1590mm 2.9" x 3.0" x 63"
PALLET PAKING	-	-
STOCKED	YES	YES

# LUNA BL LED Vapor tight



## Construction

Wet room diffuser luminaire made of white polycarbonate (IK08, setting the time for installation will be reduced. The LED board is integrated into the diffuser and sealing around is out of age resistant silicone. Suitable for ceiling-,pendulum and horizontal wall mounting, accessories for mounting rail installation available for order. Through-wiring as an optional equipment possible.

Catalogue Number	
Notes	
Type	



## Capacity

L80/B10 Life expectancy at 25°C 50'000 hours.  
 L70/B50 Life expectancy at 25°C 50'000 hours  
 0-10V dimming 10% is standard  
 Color tolerance MacAdam 5  
 CRI 80 +



## Listing

ETL certification  
 Ingress protection class 65  
 Running temperature - 20° C to + 35° C  
 Suitable for damp location only  
 Impact resistance IK 08  
 LUNA BL 45 up to 130.3LM/W  
 LU NA BL 54 up to 128.4LM/W



## Glare limitation

4ft WB unified glare rating : UGR 4H 8H C0 C90 : **25.9/24.1**  
 5ft WB unified glare rating : UGR 4H 8H C0 C90 : **25.7/24.0**

## Material

Housing material made of PC-Polycarbonat  
 White finish  
 Brackets made of stainless steel (included).

## Warrenty

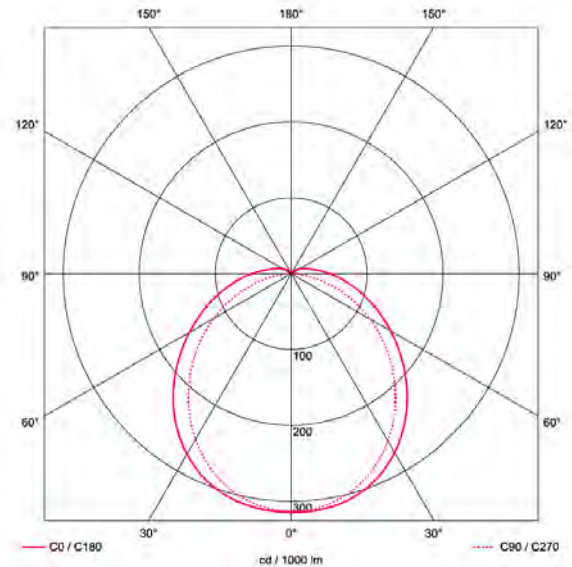
5-years limited warranty

## Installation

Surface mounted  
 Suspended : chain mount, aircraft cable mount

## Electrical

Voltage rated : 100-277V  
 4ft 45: max. Watt input: 42.7W  
 5ft 54: max. Watt input: 51.1W



STOCKED PRODUCT	MODEL	DLC QPL PRODUCT ID	DLC PREMIUM
LUNA BL 45 40K WB 120 WH	U5211014	-	NO
LUNA BL 54 40K WB 120 WH	U5211015	-	NO

# LUNA BL LED Vapor tight

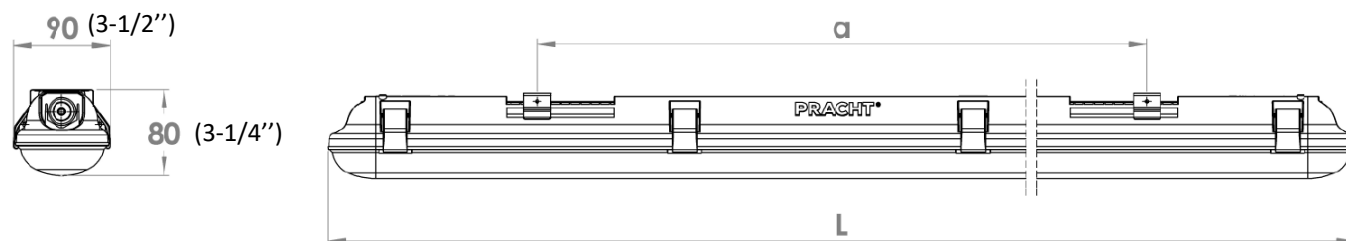
BILD YOUR CODE

Example : LUNA BL 54 40 WB 1 WH

PRODUCT	DELIVERED LUMEN	LED COLOR	BEAM SPREAD	VOLTAGE	FINISH
LUNA BL	45 4' (1204) length 5560 lumens 45W	40 4000 K	WB Wide beam 120°	1 120-277V	WH White finish
	54 5' (1540) length 6560 lumens 54W				

Accessories: Order as separate part number.					
RSD	Remote step down 347V to 240V with 10ft power cord for in between.	ACM5	1 adjustable aircraft cable 60"		
		ACM10	1 adjustable aircraft cable 120"		
PWC-___'	Custom length 300V neoprene power cord.	ACM20	1 adjustable aircraft cable 240"		

## DIMENSIONS AND WEIGHT



PRODUCT	LUNA BL 45	LUNA BL 54
WEIGHT :	1.1 kg (2.42lb)	1.2kg (6.64lb)
SIZE	68mm x 71mm (2.68"x2.80")	68mm x 71mm (2.68"x2.80")
LENGTH	1204mm (4ft)	1540mm (5ft)
PACKING WEIGHT	1.4 kg (3.1lb)	1.5 kg (3.3lb)
SINGLE PACKING	73mm x 76mm x 1290mm 2.9" x 3.0" x 51"	73mm x 76mm x 1590mm 2.9" x 3.0" x 63"
PALLET PAKING	-	-
STOCKED	YES	YES

# SPOTTUNE OMNI

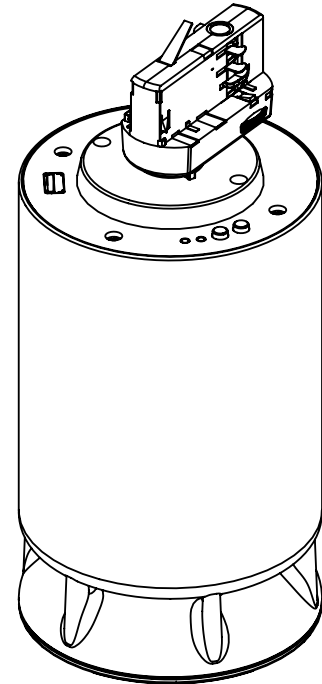
## WIRELESS OMNIDIRECTIONAL SPEAKER

The Spottune Omni speaker is acoustically designed to radiate sound in all directions whereas a traditional loudspeaker is optimized toward a frontal listening position "Sweet spot listening". The 360° sound radiation is advantageous in environments where the aim is to evenly distribute the sound to give the same listening experience across the room.



## TECHNICAL SPECIFICATIONS

<b>Colors</b>	White / Black / Grey
<b>Specifications</b>	Wireless Smart Speaker Digital amplification DSP Bass extension Full-tone closed box system Acoustic 3D design Omni (360°) Sound radiation Powerful 4-inch extended range-driver Plug n' Play
<b>Frequency</b>	Audio frequency range 50-15000Hz
<b>Amplification</b>	~50W digital class D amplifier Max SPL 100dB
<b>Wireless Features</b>	Audio-BroadCasting-Digital - Technology RF-Band 1,8 -1,9 GHz Range up to 50-100m (Condition dependent)
<b>Dimensions</b>	Diameter: 115 mm Height: 200 mm
<b>Weight</b>	1,5 Kg
<b>Power</b>	100 - 240V 50/60Hz
<b>Standby power consumption</b>	1,74W (Limitation 2W)
<b>SKU</b>	O1-T-W / O1-T-B / O1-T-G



**clairage Onlight**

160 - 2150 Pierre-Louis Le Tourneux  
Beloeil • Québec • J3G 0R5 • Canada  
1 844 864 1212 • info@onlight.ca  
[www.onlight.ca](http://www.onlight.ca)





# SPOTTUNE OMNI

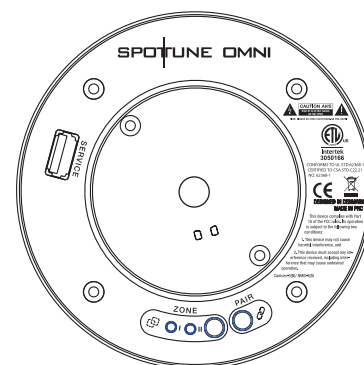
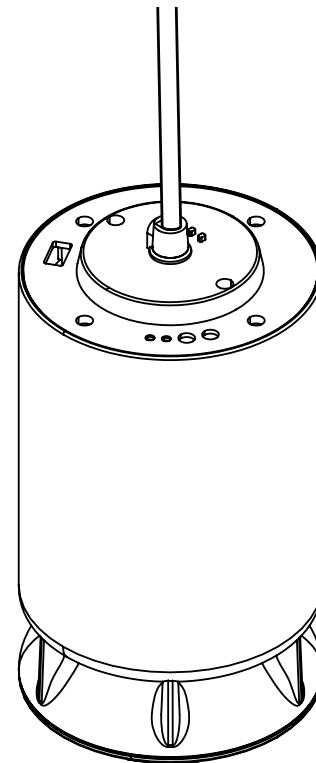
## WIRELESS OMNIDIRECTIONAL SPEAKER

The Spottune Omni speaker is acoustically designed to radiate sound in all directions whereas a traditional loudspeaker is optimized toward a frontal listening position "Sweet spot listening". The 360° sound radiation is advantageous in environments where the aim is to evenly distribute the sound to give the same listening experience across the room.



## TECHNICAL SPECIFICATIONS

<b>Colors</b>	White / Black / Grey
<b>Specifications</b>	Wireless Smart Speaker, Digital amplification DSP Bass extension Full-tone closed box system Acoustic 3D design Omni (360°) Sound radiation Powerful 4-inch extended range-driver Plug n' Play
<b>Frequency</b>	Audio frequency range 50-15000Hz
<b>Amplification</b>	~50W digital class D amplifier Max SPL 100dB
<b>Wireless Features</b>	Audio-BroadCasting-Digital - Technology RF-Band 1,8 -1,9 GHz Range up to 50-100m (Condition dependent)
<b>Dimensions</b>	Diameter: 115 mm Height: 200 mm Cord lenght : 5 m
<b>Weight</b>	1,5 Kg
<b>Power</b>	100 - 240V 50/60Hz
<b>Standby power consumption</b>	1,74W (Limitation 2W)
<b>SKU</b>	O1-C-W / O1-C-B / O1-C-G



 **clairage Onlight**

160 - 2150 Pierre-Louis Le Tourneux  
Beloeil • Québec • J3G 0R5 • Canada  
1 844 864 1212 • info@onlight.ca  
[www.onlight.ca](http://www.onlight.ca)



# SPOTTUNE OMNI

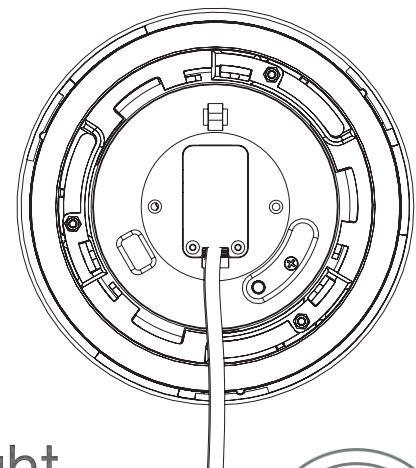
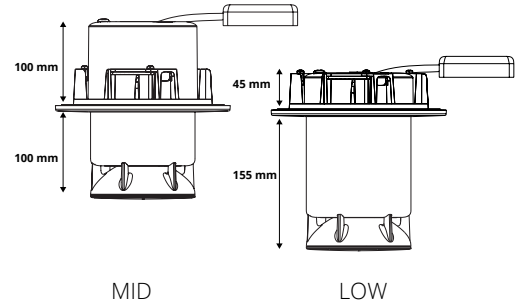
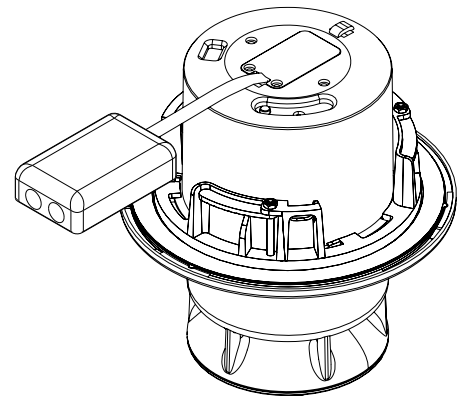
## WIRELESS OMNIDIRECTIONAL SPEAKER

The Spottune Omni speaker is acoustically designed to radiate sound in all directions whereas a traditional loudspeaker is optimized toward a frontal listening position "Sweet spot listening". The 360° sound radiation is advantageous in environments where the aim is to evenly distribute the sound to give the same listening experience across the room.



## TECHNICAL SPECIFICATIONS

<b>Colors</b>	White / Black / Grey	
<b>Specifications</b>	Wireless Smart Speaker, Digital amplification DSP Bass extension Full-tone closed box system Acoustic 3D design Omni (360°) Sound radiation Powerful 4-inch extended range-driver Plug n' Play	
<b>Frequency</b>	Audio frequency range 50-15000Hz	
<b>Amplification</b>	~50W digital class D amplifier Max SPL 100dB	
<b>Wireless Features</b>	Audio-BroadCasting-Digital - Technology RF-Band 1,8 -1,9 GHz Range up to 50-100m (Condition dependent)	
<b>Dimensions</b>	Diameter: 115 mm	Height: 200 mm
	Ceiling Cutout: 155 - 160 mm	
	Ceiling Clearance height : 100 mm	
	MID: 100 mm	
	LOW: 45 mm	
<b>Weight</b>	1,5 Kg	
<b>Power</b>	100 - 240V 50/60Hz	
<b>Standby power consumption</b>	1,74W (Limitation 2W)	
<b>SKU</b>	R1-K-W / R1-K-B	



ON LIGHT

**clairage Onlight**

160 - 2150 Pierre-Louis Le Tourneux  
Beloeil • Québec • J3G 0R5 • Canada  
1 844 864 1212 • info@onlight.ca  
[www.onlight.ca](http://www.onlight.ca)



# SPOTTUNE STREAM

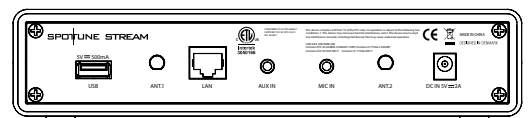
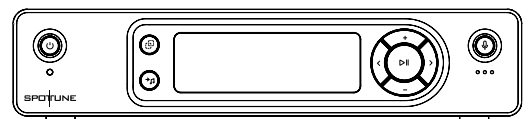
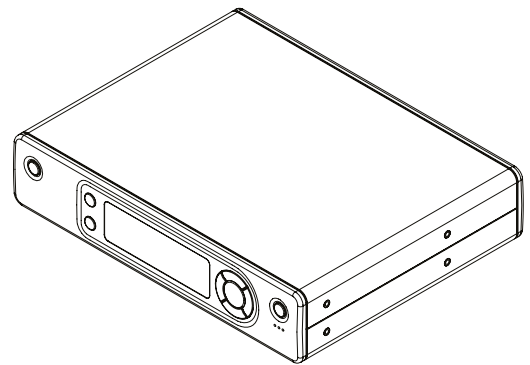
## WIRELESS MUSIC STREAMING TRANSMITTER

Spottune STREAM, is the central transmitter in the Spottune system and streams audio from a large variety of inputs, and transmit and broadcast the audio to all the speakers.



## TECHNICAL SPECIFICATIONS

<b>Colors</b>	Black
<b>Specifications</b>	Output to 1 or 2 music Zones
<b>Wireless Features</b>	Audio-BroadCasting-Digital - Technology RF band 1,8 - 1,9 GHz Range up to 50-100m (Condition dependent) Optional daisy chain Spottune Stream
<b>Input</b>	Ethernet Ports for multiple streaming services Spottune Enterprise Cloud controlled input Mini jack, AUX IN - (Stereo line input) Mini jack, MIC IN - (Prioritized external MIC / PA stereo line input) USB 2.0 type A
<b>Supported formats</b>	zip, .ogg, .mp3, .flac, .mp4, .m4a, .wma, .wav, .ra, .rm, .m4b, .aif, .aiff, .aifc, .dsf  Spottune Enterprise Cloud music streaming* *USB buffer for a secure music streaming  Spotify connect
<b>Power (Adapter)</b>	100 - 220V 50/60Hz, 5V DC 2A
<b>Dimensions</b>	Height: 45 mm Width: 215 mm Length: 168 mm
<b>Weight</b>	0,6 kg
<b>SKU</b>	S1-F-B



**clairage Onlight**

160 - 2150 Pierre-Louis Le Tourneux  
Beloeil • Québec • J3G 0R5 • Canada  
1 844 864 1212 • info@onlight.ca  
[www.onlight.ca](http://www.onlight.ca)



# SPOTTUNE SUB

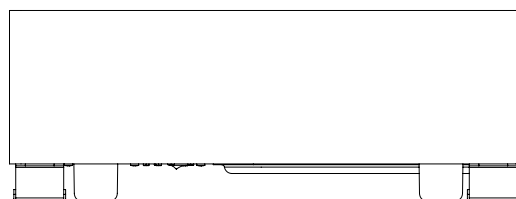
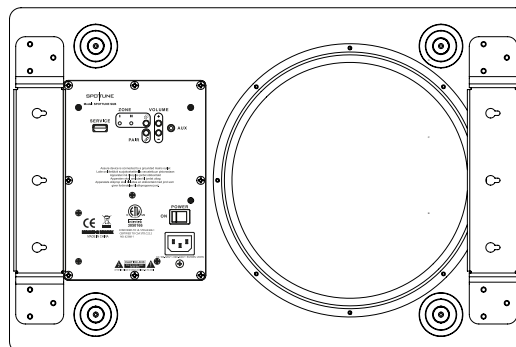
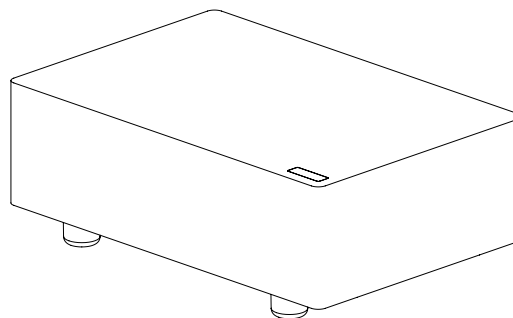
## WIRELESS SUBWOOFER

Spottune SUB is a wireless subwoofer, designed to be set up in minutes and used in combination Spottune Omni speakers, and addition to your spottune system. The Subwoofer can be placed on the floor, wall or ceiling mounted, and is wirelessly connected to Spottune stream.



## TECHNICAL SPECIFICATIONS

<b>Colors</b>	White / Black / Grey
<b>Specifications</b>	Wireless Smart Subwoofer 200 Watt high efficiency digital Class-D power amplification 10 Inch (250 mm) long stroke driver with extended linear excursion. Closed box design for optimum performance and extended low-frequency performance.
<b>Frequency</b>	Audio frequency range 20-200Hz Cutoff variable low pass digital filters: 60, 80, 100, 120, 160 and 200Hz
<b>Amplification</b>	~200W class D amplifier Max SPL 100dB
<b>Wireless Features</b>	Audio-BroadCasting-Digital - Technology RF-Band 1,8 -1,9 GHz Range up to 50-100m (Condition dependent)
<b>Controls</b>	Wireless input Volume, Zone 1 & 2 AUX input
<b>Dimensions</b>	Height: 200 mm Width: 360 mm Length: 540 mm
<b>Weight</b>	12 Kg
<b>Power</b>	100 - 240V 50/60Hz
<b>Standby power consumption</b>	1,4 W
<b>SKU</b>	W1 - F - B, W1 - F - G, W1 - F - W



 clairage Onlight

160 - 2150 Pierre-Louis Le Tourneux  
Beloeil • Québec • J3G 0R5 • Canada  
1 844 864 1212 • info@onlight.ca  
[www.onlight.ca](http://www.onlight.ca)



# clairage On Light

Light without glare



ON LIGHT

clairage ON LIGHT is a high efficiency LED lighting product manufacturer. The quality and sustainability of the products was proven and acclaimed by renowned companies in the retail industry, the institutional, the industrial sector and more. Our products meet the highest standards and offer innovative and proprietary technologies.

Head Office  
160-2150 Pierre-Louis Le Tourneux  
Beloeil • QC • J3G 0R5 • Canada  
Phone : +1 (450) 464-1212  
[www.onlight.ca](http://www.onlight.ca) • [info@onlight.ca](mailto:info@onlight.ca)

clairage ON LIGHT has solutions for everything and is committed to offer its customers high quality products, a personalized customer service and tangible (measurable) benefits.