



Adjustability : swiveling angle 90° head adjustable : 180°

# BRUMBERG

ON LIGHT

## CIRCLE S 5" LED ADJUSTBLE SURFACE MOUNT CYLINDER

BUILD YOUR CODE



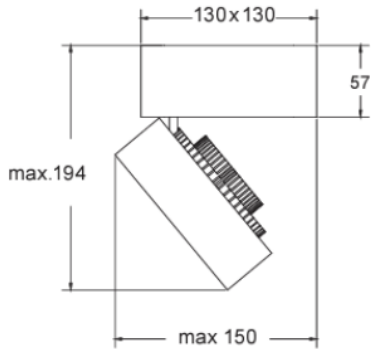
MADE IN

CIRCLE S														
PRODUCT	LUMENS	LED COLOR	CRI	BEAM SPREAD	VOLTAGE	HOUSING COLOR	DIMMING OPTION							
CIRCLE S	06	6250 LM (9W)	27	2700 K	80	80 CRI	SP	15°	1	120V	WH	RAL 9016 white	ADIM	0-10V 5%*
	12	1200 LM (11W)	30	3000 K	90	90 CRI	NFL	25°			BK	RAL 9005 black	TRIAC	Triac dim. Line voltage dim.**
	18	1800 LM (15W)	35	3500 K			FL	38°			+	Custom finish	DALI	DALI*
	20	2000 LM (15W)	40	4000 K			WFL	60°					—	None
								*93% efficacy			*for 0-10Vor DALI, dimming driver must be remote.			
									**standard option					
							*custom lumen output available on request							

MOUNTING OPTION <i>Order as separately</i>	
AP	Adapter plate with different finishes then cylinder

### DIMENSIONS

\*dimension are in mm



Weight trim: 3 lb (1.4 kg)

Height: 4-1/4" (107mm)

Width: 5-1/8"x 5-1/8" (130x130mm)

### ON LIGHT CHEAT SHEET :

- Nominal Efficacy : up to 90 LM/W.
- Dry & Damp location Ingress protection IP20. Applications in wet locations will void warranty.
- Lumen maintenance L80/B10 : 50 000h at 25°C.
- Lumen maintenance for LED's tested by LED chip manufacturer in accordance with IESNA LM80-08.
- 5-year warranty on LED light engine, driver and all lighting fixture components.
- Input class 2: 15W / 120V.
- Die-cast aluminum housing construction.
- Certified to US and Canadian safety standards.
- Roughed textured powder-coated paint finish.
- Surface mount luminaire on standard octagonal box.
- Adjustability : swiveling angle 90° head adjustable : 180°
- Luminaires are assembled in Beloeil, Canada.

DELIVERED LUMEN <i>Nominal value at 3500K &amp; 84 CRI</i>															
CCT OPTION	2700K	2700K	2700K	3000K	3000K	3000K	3500K	3500K	3500K	4000K	4000K	4000K	Bread	Meat	Fish
CRI OPTION	80	90	97	80/A	90	97	84	90	A/80	84	90	A/80	80	80	80
MULTIPLIER	.93	.77	.67	.96	.80	.71	1	.83	.78	1.0	0.86	.83	.86	.53	1

Last update 1/13/2024

Due to continuous improvements, the information herein may be changed without notice