

4" LED SURFACE MOUNT SQUARE CYLINDER

P/N: 12075183

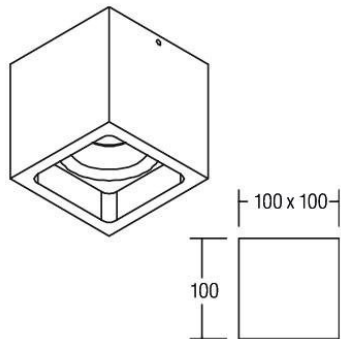
BRUMBERG

ON LIGHT



- 3000K, CRI 80 different CCT/CRI available on request
- 15W/1125LM custom lumen output available on request
- 40° beam spread
- Ingress protection IP20. For dry location only.
- Die-cast aluminum housing construction.
- Black roughed textured powder-coated paint finish
- Luminaires are assembled in Beloeil, Canada
- Custom color available on request

DIMENSIONS



Weight trim:	-
Height:	4" (100mm)
Large & Length:	4"x4" (100x100mm)

Last update October, 2020

TECHNICAL PRODUCT SPECIFICATIONS

- Nominal Efficacy : up to 75 LM/W.
- LED source 3000K/CRI80.
- 15W/1125LM direct light.
- Ingress protection IP20.
- Lumen maintenance L80/B10 : 50 000h at 25°C.
- Lumen maintenance for LED's tested by LED chip manufacturer in accordance with IESNA LM80-08.
- 5-year warranty on LED light engine, driver and all lighting fixture components.
- Input class 2: 15W / 120V.
- Die-cast aluminum housing construction.
- Rated for dry locations only. Applications in wet locations will void warranty.
- Certified to US and Canadian safety standards.
- Black Roughed textured powder-coated paint finish.
- Surface mount luminaire on standard octagonal box.
- Different LED color or finish available on request.
- Application : Residential & high end residential.
- Luminaires are assembled in Beloeil, Canada.

Due to continuous improvements, the information herein may be changed without notice