



Z SWAP Tool-less interchangeable reflector assembly system
SHIP2FAST Fast delivery program

ansorg

ON LIGHT

Mona MIL LED SUSPENDED LIGHT



MIL	PRODUCT	DELIVERED LUMENS	LED COLOR	CRI	BEAM SPREAD	HOUSING COLOR	MOUNTING
MIL 400	400mm dia.	10 1000 LM (10W)	27 2700 K	80 80 CRI min. value typ 84 CRI	SP 17° (reflector)	WH RAL 9016 white	S10 Suspended 0-10ft
MIL 600	600mm dia.	15 1500 LM (15W)	30 3000 K	90 90 CRI min. value typ 93 CRI	SSP 20° (reflector)	BK RAL 9005 black	TM Track mount (0-8ft)
		20 2000 LM (20W)	35 3500 K		MFL 22° (reflector)	SL RAL 9006 silver	
		25 2500 LM (24W)	40 4000 K		FL 37° (reflector)	* Custom color on request	
		30 3000 LM (28W)	50 5000 K		WFL 54° (reflector)		
		40 4000 LM (38W)	B Bread color				
			M Meat color				
			F Fish color				
		*Custom lumen output on request.					

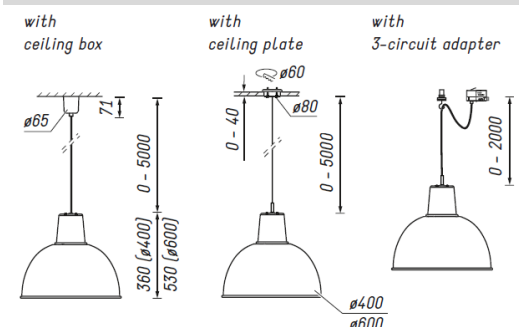
ACCESSORIES : Order as separate part number.

HCG Honeycomb grid, black	SG Safety glass
OT Oblique tube	AO Albarino (diffusing lens)

DELIVERED LUMEN Nominal value at 3500K & 84 CRI

CCT OPTION	2700K	2700K	2700K	3000K	3000K	3000K	3500K	3500K	3500K	4000K	4000K	4000K	Bread	Meat	Fish
CRI OPTION	84	90	97	80/A	90	97	84	90	A/80	84	90	A/80	80	80	80
MULTIPLIER	.93	.77	.67	.96	.80	.71	1	.83	.78	1.0	0.86	.83	.86	.53	1

DIMENSIONS



*dimensions are in mm
Diameter: 23-5/8"/15-3/4" (600/400mm)
Weight trim: 13.2/8.8lb (6/4 kg) **Max height:** 20-7/8"/14-1/8" (600/360mm)

ON LIGHT CHEAT SHEET :

- Nominal Efficacy : up to 134 lm/W
- 3-Step MacAdam ellipse color consistency for clean and uniform lighting.
- Lumen maintenance L80/B10 :50 000h ta 25°C
- 5-year warranty on LED light engine, driver and all lighting fixture components.
- Failure rate C0/B10 : 50 000h ta 25°C
- Input class 2: 120V. Max settable intrack driver output :138W / 0.33A
- Light fixture number per circuit breaker 20A : 25
- ETL certified to US and Canadian safety standards.
- Tool-less interchangeable reflector and accessories assembly system.
- Mini. R9 value for 80 CRI CRI is 0. the min. R9 values for 90 LED is 50. the min. R9 value for 97 CRI LED is 93. For Décor series LED, Typical R9 value is 98 to enhance RED's and an R15 value of 97
- Luminaires are assembled in Canada, Beloeil.

Last update 4/16/2021

Due to continuous improvements, the information herein may be changed without notice



Z SWAP Tool-less interchangeable reflector assembly system
 SHIP2FAST Fast delivery program

ansorg

ON LIGHT

Mona MIL LED SUSPENDED LIGHT

Light distribution

