



- BACK2LIFE Innovative light fixture refurbish and recycle program
- EZ SWAP Tool-less interchangeable reflector assembly system
- SHIP2FAST Fast delivery program

Project:

QUANTITIES:

**RADDO** 4" LED TRACK LIGHT



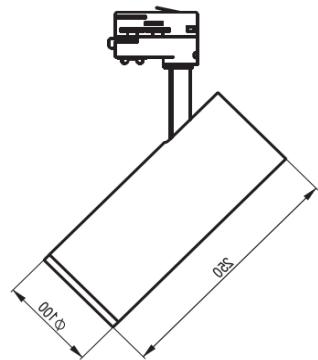
BUILD YOUR CODE											
RADDO	DELIVERED LUMENS	LED COLOR	CRI	BEAM SPREAD	VOLTAGE	HOUSING COLOR	DIMMING OPTION	MOUNTING	TRACK CIRCUIT		
<b>RADDO</b>	<b>10</b> 1000 LM (9W)	<b>27</b> 2700 K	<b>84</b> nominal CRI at 3500K	<b>SP</b> 18° ▲	<b>1</b> 120V	<b>WH</b> RAL 9016 white	<b>ADIM</b> 0-10V Dim. 5%	<b>GLO</b> GLOBAL®	<b>1</b>	<b>1</b>	<b>1</b> 1 CCT
	<b>15</b> 1500 LM (11W)	<b>30</b> 3000 K	<b>90</b> 90 CRI min. value	<b>NFL</b> 25° ▲	<b>2</b> 277V	<b>BK</b> RAL 9005 black	<b>ADIM+</b> 0-10V Dim 0.1%	<b>STI</b> STUCCHI®	<b>2</b>	<b>2</b>	<b>2</b> 2 CCT *
	<b>20</b> 2000 LM (14W)	<b>35</b> 3500 K	<b>97 *</b> (2700k 3000K 5600K)	<b>FL</b> 35° ▲	<b>3</b> 347V*	<b>SL</b> RAL 9006 silver	<b>DALI</b> Dali	<b>LOL</b> LIGHTOLIER®	<b>3</b>	<b>3</b>	<b>3</b> 3 CCT *
	<b>25</b> 2500 LM (16W)	<b>40</b> 4000 K	<b>A</b> A Class*	<b>WFL</b> 45° ▲	*for canopy mount version only)	<b>+</b> Custom color	<b>CA</b> Casambi*	<b>JUN</b> JUNO®			
	<b>30</b> 3100 LM (20W)	<b>TW</b> 2700K to 5000K	* A Class only available with (3000K, 3500K, 4000K)				— None	<b>HAL</b> HALO®			
	<b>35</b> 3500 LM (22W)	<b>TW1</b> 4000K to 1800K 30W max					Only available with Stucchi, Global nordic aluminium adapter or canopy mount	<b>CM</b> Canopy mount			*ONLY AVAILABLE WITH GLOBALTRAC OR STUCCHI TRACK®
	<b>40</b> 4100 LM (25W)	<b>TW2</b> 6500K to 2700K 30W max					*Bluetooth control via Casambi app				
		<b>B</b> Bread color									
		<b>M</b> Meat color									
		<b>F</b> Fish color									
		<b>+</b> All CCT 1750K to 6500K									

ACCESSORIES : Order as separate part number.	
<b>HCL</b>	Honeycomb louver
<b>PG</b>	Protection glass (glass or plexi)
<b>LS</b>	Lens
<b>BS</b>	Black snoot

DELIVERED LUMEN Nominal value at 3500K & 84 CRI																
CCT OPTION	2700K	2700K	2700K	3000K	3000K	3000K	3500K	3500K	3500K	4000K	4000K	4000K	Bread	Meat	Fish	
CRI OPTION	80	90	97	80/A	90	97	84	90	A/80	84	90	A/80	80	80	80	
MULTIPLIER	.93	.77	.67	.96	.80	.71	1	.83	.78	1.0	0.86	.83	.86	.53	1	

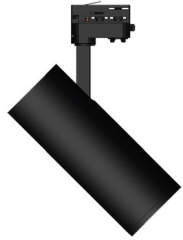
DIMENSIONS

- Weight trim:** 3.3 lb (1.5 kg)
- Height:** 10"
- Diameter:** 4"
- Arm length:** 3" or custom



ON LIGHT CHEAT SHEET :

- Nominal Efficacy : up to 190 lm/W
- Reported Life : 50'000 hrs. in accordance with IESNA TM-21-11.
- 3-Step MacAdam ellipse color consistency for clean and uniform lighting.
- Photometry conducted by independent NVLAP (National Voluntary Laboratory Accreditation Program) accredited testing laboratory in accordance with IESNA LM-79-08.
- Lumen maintenance for LED's tested by LED chip manufacturer in accordance with IESNA LM80-08.
- 5-year warranty on LED light engine, driver and all lighting fixture components.
- Input watt : 30W
- Dimming 0-10V down to 5% or 0.1%.
- Tool-less interchangeable reflector and accessories assembly system.
- Bluetooth dimming or CCT control via free Casambi app for Android and Apple.



**RADDO**

4" LED TRACK LIGHT

**LIGHT WITHOUT GLARE**

Type :

**SPECIFICATION SHEET**

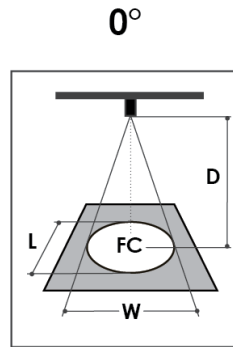
Project:

QUANTITIES:

**ON LIGHT**

**CONE OF LIGHT DIAGRAM**

(diameter shown is where fc is half the fc at nadir)



Product Family	Beam Spread	CBCP cd	D ft	FC	L ft	W ft	Product Family	Beam Spread	CBCP cd	D ft	FC	L ft	W ft	
Raddo 3100 lumen 3500K 84 CRI	18° (Spot)	19623	10	196.2	7.2	7.2	Raddo 3100 lumen 3500K 84 CRI	45° (Wide Flood)	6018	10	60.2	2.8	2.8	
			12	136.3	8.6	8.6				12	41.8	3.3	3.3	
			14	100.1	10.1	10.1				14	30.7	3.9	3.9	
			16	76.7	11.5	11.5				16	23.5	4.4	4.4	
			18	60.6	12.9	12.9				18	18.6	5.0	5.0	
20	49.1	14.4	14.4	20	15.0	5.6	5.6							
Raddo 3100 lumen 3500K 84 CRI	25° (Narrow Flood)	14170	10	141.7	3.9	3.9								
			12	98.4	4.6	4.6								
			14	72.3	5.4	5.4								
			16	55.4	6.2	6.2								
			18	43.7	7.0	7.0								
20	35.4	7.7	7.7											

**TECHNICAL PRODUCT SPECIFICATIONS**

**TRIM HOUSING :** Extrusion aluminum housing construction. EZ Swap Tool-less interchangeable reflector assembly system between all track and downlight products. Extrusion aluminum construction. Track head can be rotated up to 350° and pivoted up to 90°.

**ARM TRACK :** Arm length (junction between track adapter and housing) can be customized

**OPTICAL SYSTEM :** Tool-less, user-friendly MIRO ® pure aluminum optical reflector assembly available in four beam spreads: 18 °, 25 ° & 45 °. Faceted/dimpled reflector ensures clean and uniform beam of light.

**LED LIGHT ENGINE :** BRIDGELUX VERO SERIES 2 or 3 SDCM / 2 or 3 Step MacAdam ellipse multi-chip LED cluster Light Engine yields perfect color consistency with clean and uniform beam of light.

**LED DRIVER :** Proprietary LED driver. Power factor: > 97 % at 120 V. Driver output is Class 2 rated.

**A CLASS COLOR :** Class A is based on human response testing, providing color points with a combined GAI and CRI metric.

**FOOD COLOR :** Ensures accurate food color rendition of meat, bread or fish in food retailers.

**BRIDGELUX CCT :** 1750K, 2000K, 2500K, 2700K, 3000K, 3500K, 4000K, 5000K, 5600K, 5700K, 6500K.

**R9 VALUE** Mini. R9 value for 80 CRI CRI is 0. the min. R9 values for 90 LED is 50. the min. R9 value for 97 CRI LED is 93. For Décor series LED, Typical R9 value is 98 to enhance RED's and an R15 value of 97

**DIMMING** 0-10V dimming option down to 0.1%

**CASAMBI** Bluetooth dimming or CCT control via free Casambi app for Android and Apple

**CERTIFICATION :** Photometrically tested by NVLAP accredited testing laboratory in accordance with IESNA LM-79-08. LED Light Engine tested by LED chip manufacturer in accordance with IESNA LM-80-08. Lighting Facts qualified.

**FINISH :** Roughed textured powder-coated paint finish. Available in RAL 9016 white, RAL 9005 black and RAL 9006 silver. Track adapter/ canopy will match luminaire color.

**WEIGHT :** Trim : 3.3 lb (1.5 kg)

**ENVIRONMENT :** Rated for dry locations only. Applications in damp or wet locations will void warranty.

**REPORTED LIFE :** 50'000 hrs at L77 in accordance with IESNA TM-21-11 (Projecting Long Term Lumen Maintenance of LED Light Sources).

**WARRANTY :** 5-year comprehensive system warranty (LED Light Engine, LED Driver and luminaire parts).

**BACK TO LIFE :** Luminaire can be refurbished with the newest generation of LED and driver.

**INPUT WATTAGE :** 30W

**MADE IN CANADA :** Luminaires are assembled in Canada, Montréal.

**GAI** GAI value 80 @ CRI93

**TUNABLE WHITE :** Lunimus Tunable white LED : 6500K to 2700K CCT range or 4000K to 1800K CCT. CRI 95 white both channels powered on. Max 15W per channel. Or Bridgelux VESTA LED 2700K to 5000K CCT range 90CRI.