



# BRUMBERG

ON LIGHT

## TUBIC 4" LED SURFACE MOUNT

BUILD YOUR CODE

TUBIC	PRODUCT	LUMENS	LED COLOR	CRI	BEAM SPREAD	VOLTAGE	HOUSING COLOR	DIMMING OPTION
	TUBIC	12 1200 LM (9W) 18 1800 LM (15W)  *custom lumen output available on request	27 2700 K 30 3000 K 35 3500 K 40 4000 K	80 80 CRI 90 90 CRI	SP 15° NFL 25° FL 38° WFL 60°  *93% efficacy	1 120V	WH RAL 9016 white BK RAL 9005 black + Custom finish	ADIM 0-10V 5%* TRIAC Triac dim. Line voltage dim. DALI DALI* — None  *for 0-10V or DALI, dimming driver must be remote. **standard option

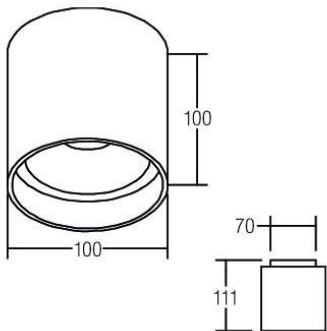


MADE IN

MOUNTING OPTION <i>Order as separately</i>	
<b>CJM</b>	Surface mount on octagonal junction box with adapter plate*
<b>SMD</b>	Surface mount with adapter plate - mud in dry wall ceiling*
<b>ACM10</b>	10ft aircraft cable mount
<b>S10</b>	10ft suspension set**
*when driver is remote adapter plate is not needed **Aircraft cable is combined inside power cord, designed for sleek and simple installation.	

### DIMENSIONS

\*dimension are in mm



Diameter : 4" (100mm)

Height : 4-3/8" (111mm)

### ON LIGHT CHEAT SHEET :

- Nominal Efficacy : up to 90 LM/W.
- Dry & Damp location Ingress protection IP20. Applications in wet locations will void warranty.
- Lumen maintenance L80/B10 : 50 000h at 25°C.
- Lumen maintenance for LED's tested by LED chip manufacturer in accordance with IESNA LM80-08.
- 5-year warranty on LED light engine, driver and all lighting fixture components.
- Input class 2: 15W / 120V.
- Die-cast aluminum housing construction.
- Certified to US and Canadian safety standards.
- Installation for Damp & dry location only : IP54
- Roughed textured powder-coated paint finish.
- On Octagonal junction box installation
- Luminaires are assembled in Beloeil, Canada.

DELIVERED LUMEN <i>Nominal value at 3500K &amp; 84 CRI</i>															
CCT OPTION	2700K	2700K	2700K	3000K	3000K	3000K	3500K	3500K	3500K	4000K	4000K	4000K	Bread	Meat	Fish
CRI OPTION	80	90	97	80/A	90	97	84	90	A/80	84	90	A/80	80	80	80
MULTIPLIER	.93	.77	.67	.96	.80	.71	1	.83	.78	1.0	0.86	.83	.86	.53	1

Last update 1/13/2024

Due to continuous improvements, the information herein may be changed without notice